

2015

FULL LINE SOURCEBOOK

GUIDE DES PRODUITS
2015 LIGNE COMPLETE

 **GIANT**

RIDE LIFE. RIDE GIANT.

Liv

Liv Beyond. 

JOIN THE JOURNEY

It's our mission to inspire you to ride by creating the ultimate cycling experience for all types of riders, all around the world. Whether you ride for fitness, fun, adventure or competition, we create just the right bikes, apparel and gear to make your journey the best it can be.



© 2014 Giant Bicycle Canada, Inc.
All rights reserved. Printed in Canada.

Specifications and availability subject to change without notice. The riders depicted in the photographs herein are experienced professionals. Do not attempt to duplicate any stunts or maneuvers shown. Giant strongly recommends that all riders wear helmets and appropriate safety gear while riding any Giant bicycle.



GIANT

Liv

BIKE INDEX

MEN GIANT

ON-ROAD

PERFORMANCE

AERO RACE

Propel Advanced SL
Propel Advanced Pro
Propel Advanced

RACE

TCR Advanced SL
TCR Advanced Pro
TCR Advanced
TCR SLR

TRACK

Omnium

ENDURANCE

Defy Advanced SL
Defy Advanced Pro
Defy Advanced
Defy

SPORT

FITNESS

FastRoad CoMax
FastRoad SLR

CITY

Escape
Seek

LIFESTYLE

FOLDING

ExpressWay

CITY

Via

COMFORT

Cypress

CRUISER

Simple

X-ROAD

PERFORMANCE

CYCLOCROSS

TCX Advanced Pro
TCX SLR

ENDURANCE

Revolt

SPORT

ADVENTURE

AnyRoad CoMax
AnyRoad
Roam

LIFESTYLE

COMFORT

Sedona

OFF-ROAD

PERFORMANCE

RACE/XC

Anthem Advanced 27.5
Anthem 27.5
Anthem X Advanced 29er
Anthem X 29er
XtC Advanced 27.5
XtC Advanced 29er

TRAIL/ENDURO

Trance Advanced 27.5
Trance 27.5
Stance 27.5
Reign Advanced 27.5
Reign 27.5

GRAVITY

Glory 27.5

SPORT

XC

Talon 27.5

LIFESTYLE

RECREATION

Revel

WOMEN Liv

ON-ROAD

PERFORMANCE

AERO RACE

Envie Advanced Pro
Envie Advanced TRI
Envie Advanced

ENDURANCE

Avail Advanced SL
Avail Advanced Pro
Avail Advanced
Avail

SPORT

FITNESS

Thrive CoMax
Thrive
Alight

LIFESTYLE

CITY

Via W
COMFORT
Cypress W
CRUISER
Simple W

X-ROAD

PERFORMANCE

CYCLOCROSS

Brava SLR

SPORT

ADVENTURE

Invite CoMax
Invite
Rove

LIFESTYLE

COMFORT

Sedona W

OFF-ROAD

PERFORMANCE

RACE/XC

Lust Advanced
Lust
Obsess Advanced
TRAIL/ENDURO
Intrigue

SPORT

XC

Tempt

LIFESTYLE

RECREATION

Enchant

YOUTH

BOYS ON-ROAD

TCR ESPOIR 24
MODA
ANIMATOR
PRE
LIL' GIANT TRIKE
HALFWHEELER

GIRLS ON-ROAD

BELLA
ADORE
PRE
LIL' GIANT TRIKE
HALFWHEELER

BMX

METHOD

BOYS OFF-ROAD

XTC SL JR 24
XTC JR 24
XTC JR 24 LITE
XTC JR 20 LITE

GIRLS OFF-ROAD

AREVA 24
AREVA 24 LITE
AREVA 20 LITE

THE ULTIMATE CYCLING EXPERIENCE

At Giant, our mission is clear: to inspire passion for cycling.

How do we do this? It's simple, really. By creating the ultimate cycling experience for every type of rider.

You can see this mission carried out every day, in so many different ways. From our factory floor to retail floors around the world, thousands of individuals all do their part.

It all begins with craftsmanship. This makes sense, because it's how we got our start. Back in 1972, our founders developed new ways to manufacture high-quality bikes at an affordable price. To this day, it's our proudest accomplishment, and also a never-ending goal: to bring quality cycling experiences to more people around the world.

Throughout our history, Giant has remained the leading innovator in cycling. We were first to mass-produce lightweight aluminum bikes. First to make carbon fiber frames widely available. We engineer race-winning bikes for Tour de France pros. We create game-changing off-road technologies that encourage riders to seek new adventures, and fun lifestyle bikes that motivate you to ride however, and wherever, you can.

And those founders we speak of? They're not just mysterious names from the past. King Liu, the man who started it all, is still inspiring us today. He celebrated his 80th birthday this year by riding 966 kilometers over 12 days in Taiwan. He did it aboard a Propel Advanced SL, the same aero road machine ridden by Team Giant-Shimano's star sprinter Marcel Kittel.

King might not have imagined a super-bike like the Propel Advanced SL back when he started Giant. But his vision to build the best cycling brand in the world, with superior craftsmanship, innovation and inspiration, was there from the start.

We invite you to come join the ride. **#ridelife**

Ride Life. Ride Giant.



King Liu, Giant Founder





**RIDE LIFE.
RIDE GIANT.**



CHAMPIONS RIDE GIANT

PUSH THE BOUNDARIES

As one of Giant's core values, it's what we strive for at every turn. Competition has always been essential in our drive to build the best bikes in the world. Real world testing under the rigors of professional cycling helps us develop innovative, race-winning technologies. It's a process that gives Giant athletes an edge. Not just to compete, but to become champions.

BUILT TO WIN

Given his incredible rise through pro cycling as the premier sprinter to watch, it may be surprising to know that Marcel Kittel entered the pro ranks as a time trialist and a lead-out man for other teammates. But after seeing his potential for pure finishing speed, his team helped Kittel target his training toward sprinting. Fast-forward a few years, and the German speedster has won stages in all three grand tours. And he only seems to be getting faster.

In a pro sprint, the difference between victory and defeat can be millimeters. That's why Giant developed the world's fastest aero road bike, the Propel Advanced SL, with feedback from our athletes. Tested extensively—both on the road and in the wind-tunnel—and fine tuned with more than 80 prototype iterations, the Propel Advanced SL give riders like Kittel the confidence that, whatever else happens, they're racing on the fastest bike in the world.





GROOMED FOR GREATNESS

In just his second season in the elite cyclocross ranks, former Under-23 World Champion Lars van der Haar has already risen to the top of the sport—winning the UCI World Cup overall title, his second consecutive Dutch National Championship, and three individual World Cup rounds. As a Giant athlete for the past five seasons, van der Haar's determination as an athlete has been mirrored by Giant's pursuit to provide him with the best equipment in the world.

The new TCX Advanced features a host of new technologies—Giant's proprietary D-Fuse seatpost, a 15mm thru-axle fork, and cyclocross-specific tube shaping—that make it the most advanced cyclocross bike on the planet. However, no single feature of the new TCX Advanced has garnered as much attention as its disc brakes. While many of the sport's top riders were hesitant to make the switch, van der Haar knew that disc brakes offered a competitive advantage. So, before the start of the World Cup season, he announced that he would be racing on disc brakes—the first rider of his caliber to do so. The result? At the first World Cup of the year, Van der Haar and his TCX Advanced scored the first World Cup win ever on disc brakes. And the rest is history.



EVOLUTION OF ALL-OUT SPEED

When DH conditions are at their toughest, Danny Hart seems to shine his brightest. An incredible natural talent on the bike, Hart has a knack for making seemingly impossible lines look effortless. As a former world champion, he knows that in downhill racing it's not just seconds that matter, but fractions of seconds. The new Glory 27.5 was designed to give Hart the edge—against the terrain and against the clock.

Giant athletes know their bikes inside and out. In order to win, it's essential. Small changes to a bike's geometry—a half-degree to a headtube angle, a few millimeters to chainstay length—can make massive differences at the pro level. Giant's product development team works with Hart and the rest of the Giant Factory Off-Road team, performing prototype test sessions and putting the bike to the ultimate test: World Cup racing. The all-new Glory 27.5 was tested rigorously long before it went into production. So it's totally dialed in for a world champ, and for you as well.

UNRIVALED COMPOSITE TECHNOLOGY

With more than 25 years of experience in carbon fiber engineering, plus a long history of rigorous development and testing with professional athletes, Giant is the industry leader in composite bicycle technology. To meet the needs of high-performance riders, Giant offers two grades: Advanced SL and Advanced Composite. Both feature unique materials, resin formulas and construction techniques.

COMPOSITE TECHNOLOGIES

COMPOSITE GRADE	LIGHTER WEIGHT HIGH PERFORMANCE-GRADE CARBON MATERIAL AND RESIN	LIGHTEST WEIGHT PROFESSIONAL-GRADE CARBON MATERIAL AND RESIN	MODIFIED MONOCOQUE CONSTRUCTION	FUSION PROCESS CONSTRUCTION	CNT RESIN TECHNOLOGY	CONTINUOUS FIBER TECHNOLOGY	GIANT FACTORY BUILT
Advanced SL		X		X	X	X	X
Advanced	X		X				X

ADVANCED SL COMPOSITE TECHNOLOGY



ADVANCED SL COMPOSITE TECHNOLOGY

Professional Grade raw carbon fiber is woven in Giant's own composite factory to produce our lightest, stiffest and highest-quality frames. This is the technology used by Giant's world champion racers in almost every cycling discipline. These frames feature the most advanced engineering and construction methods including:

MATERIALS

1. Professional Grade raw carbon material for the highest stiffness-to-weight-ratio available on the market today.

RESIN

2. Professional Formula resin with Carbon Nanotube Technology (CNT), a microscopic polymer added to Giant's custom blended resin*. Acting like miniature buttresses, CNT particles strengthen the layers of composite. Frames featuring CNT are 14 percent more impact resistant than those without it.

CONSTRUCTION TECHNIQUES

3. **FUSION PROCESS:** Advanced SL toptubes are "grafted" to the seattube using filament winding and co-molding. This complex process involves hand weaving the toptube and seattube together, and then re-molding the area under heat and high pressure to unify the junction. Fusion produces a lighter, stronger junction than traditional molding.
4. **CONTINUOUS FIBER TECHNOLOGY:** This manufacturing process allows Giant to construct the front triangle of Advanced SL frames* with larger, and therefore fewer, sections of composite material. With fewer pieces and junctions, the frames are up to 100 grams lighter and significantly stronger.

*Found on select 2015 framesets



ADVANCED COMPOSITE TECHNOLOGY

High Performance Grade raw carbon fiber is used to produce custom composite material in Giant's own composite factory. Extremely lightweight, stiff and compliant, these handcrafted frames feature the following materials and processes:

MATERIALS

1. High Performance Grade raw carbon material for a high stiffness-to-weight-ratio.

RESIN

2. High Performance Formula resin provides a high level of void minimization (bubbles) while maintaining outstanding strength characteristics. Vibration-absorbing particles are added to help disperse road shock.

CONSTRUCTION TECHNIQUES

3. **MODIFIED MONOCOQUE CONSTRUCTION:** The front triangle (downtube, headtube, toptube, seattube) is assembled and molded as one continuous piece. This front half is then joined to the rear chainstays and seatstays in a secondary process. Modified Monocoque eliminates the outermost woven composite sheet to reduce weight without compromising ride quality, strength or stiffness.



THE PERFECT BALANCE

CoMax Composite Technology is an all-new frame material from Giant, the world leader in composite engineering. With a balanced blend of comfort and light weight, CoMax framesets are built and tuned to deliver a better cycling experience for sport and fitness riders.





FEATURES INCLUDE:

MATERIALS

1. Optimized blend of Performance Grade raw carbon material and fiber-reinforced polymer delivers a ride experience that is both smooth and efficient.

RESIN

2. Performance Formula resin features a high level of void minimization (bubbles) while maintaining good strength characteristics.

CONSTRUCTION TECHNIQUES

3. **MODIFIED MONOCOQUE CONSTRUCTION:** The front triangle (downtube, headtube, toptube, seattube) is assembled and molded as one continuous piece. This front half is then joined to the rear chainstays and seatstays in a secondary process. Modified Monocoque eliminates the outermost woven composite sheet to reduce weight without affecting ride quality, strength or stiffness.

PERFORMANCE BENEFITS

INCREASED COMFORT

CoMax framesets offer up to 10 percent better compliance compared to aluminum framesets.

LIGHTER WEIGHT

CoMax framesets are up to 200 grams lighter than comparable aluminum framesets.

THE ALUXX ADVANTAGE

From the manipulation of atomic grain structures to our advanced forming and welding techniques, Giant has been at the forefront of aluminum engineering for more than 30 years. Today, ALUXX Aluminum Technology represents the pinnacle of alloy performance.

A heritage of craftsmanship combined with unmatched manufacturing capabilities gives Giant the unique ability to monitor every step of the aluminum frame-building process. Through our cutting-edge materials science, proprietary forming techniques, and attention to detail, we are constantly advancing aluminum performance to create bikes that are lighter, stronger and stiffer.

The difference can be felt in the ride. Every aluminum bike bearing the ALUXX Aluminum Technology label must live up to the highest standards and meet the tightest tolerances of any aluminum frame in the world.

THREE GRADES OF ALUXX ALUMINUM TECHNOLOGY:

ALUXX SLR[®]

Aluminum Technology

Giant's lightest, state-of-the-art aluminum frameset technology featuring our highest strength-to-weight ratios, most advanced forming methods and unique welding techniques.

MATERIALS

- Features 6011 alloy for high-performance strength-to-weight ratio.

FORMING METHODS

- State-of-the-art, microscopic grain manipulation results in the greatest strength-to-weight ratio aluminum that Giant produces.
- Advanced butting process allows for 20 percent thinner (and lighter) tubes than ALUXX SL.
- Features extensive **FluidForming** (*sophisticated manipulation of tubeset shaping via an injection of high-pressure fluid*) and some **PressForming** (*basic manipulation of tubeset shaping via direct mechanical pressure*).

WELDING TECHNIQUES

- Features both **Smooth** (*double-pass weld technique with hand-sanding to reduce stress risers*) and **Slim** (*custom-fit tube junctures to decrease weld material*) techniques for minimal weight, maximum strength and the cleanest aesthetics.

ALUXX SL[®]

Aluminum Technology

Extremely lightweight framesets featuring high-performance strength-to-weight ratios.

MATERIALS

- Primarily features 6011 alloy for high-performance strength-to-weight ratio.

FORMING METHODS

- Double butting results in lighter weight without sacrificing strength.
- Features **PressForming**, **WarmForming** (*advanced manipulation of tubeset shaping via an injection of high-pressure air*) and **FluidForming** in select models.

WELDING TECHNIQUES

- Features both **Standard** (*double-pass weld technique without finish sanding/filing*) and **Smooth** welding techniques for outstanding strength and weight.

ALUXX[®]

Aluminum Technology

Lightweight framesets featuring optimized strength-to-weight ratios.

MATERIALS

- 6061 alloy for optimized strength-to-weight ratios.

FORMING METHODS

- Single butting results in light weight without sacrificing strength.
- Predominantly features **PressForming**.

WELDING TECHNIQUES

- Predominantly features **Standard** and some **Smooth** welding techniques for optimized strength and weight.

INSIDE ALUXX SLR

Giant's latest, most innovative aluminum frame technology is created with our most advanced bike materials, forming methods and welding techniques. The result: ALUXX SLR delivers the highest strength-to-weight ratio of any Giant aluminum bike. Here are a few of the key technical features of this premium aluminum technology:

ALUXX SLR
Aluminum Technology



1 FEATURES: Premium 6011 alloy is used throughout the frame

BENEFIT: This high-performance alloy material creates the highest strength-to-weight ratio for the lightest, strongest aluminum frames Giant has ever produced.

2 FEATURES: State-of-the-art, microscopic grain manipulation and advanced butting process

BENEFIT: Allows for 20 percent thinner (and lighter) tubes than even ALUXX SL, producing unprecedented strength-to-weight.

3 FEATURES: Extensive FluidForming tube shaping

BENEFIT: High-pressure fluid injected into aluminum tubing creates the most complex three-dimensional shapes possible for the most sophisticated engineering and aesthetic requirements.

4 FEATURES: Selective PressForming tube shaping

BENEFIT: Manipulation of tubeset shaping via direct mechanical pressure provides simple shaping for clean aesthetics and principle mechanical properties.

5 FEATURES: Smooth welding

BENEFIT: Double pass welding techniques are further refined through hand-sanding and polishing to minimize weight and further reduce the potential for stress riser failures through the weld.

6 FEATURES: Slim welding

BENEFIT: Before tubes are welded together, each junction is custom fit to ensure maximum closure with extremely tight tolerances. This produces the lightest, strongest and best-looking welds.



COMPACT ROAD DESIGN

In the late 1990s Giant pioneered a radical new frame shape to give its professional road racers a competitive edge. Driven by a desire to create lighter and faster bikes, Giant's Compact Road Design changed the look—and the performance capabilities—of competitive road bikes forever.

Now, 18 years later, Compact Road Design is still a standard in road bikes built for endurance, competition, and all-around performance.

The concept is simple: A toptube that slopes downward from the headtube to the seattube reduces the size of the front and rear triangles. Smaller triangles create a lighter, stiffer bike.

WHATEVER THE FRAME MATERIAL, ALUMINUM OR COMPOSITE, COMPACT ROAD DESIGN IMPROVES THE RIDE. HERE'S HOW:

LIGHTER

Compact Road's most distinctive feature, the downward-sloping toptube, results in smaller front and rear triangles on the frame. Because the triangles are smaller, less material is necessary. Less material equals less weight.

STIFFER

Picture two triangles made from equal diameter tubing. The smaller, more compact triangle uses shorter tubes. The larger triangle requires longer tubes. It's easy to see which is more structurally sound—the smaller triangle is stiffer, less susceptible to flexing and twisting. And on a performance road frame, stiffer is faster.

SMOOTHER

With traditional geometry, builders increase stiffness by using stiffer material. That might help you sprint faster but it also makes for a less comfortable ride. With Compact Road, Giant engineers are able to design frames with just the right amount of vertical compliance. You get a smoother, more comfortable ride.

PERFECT FIT

Because of the sloping toptube and lower standover height, it's easier for riders of all sizes to get the perfect fit. With greater adjustability and up to six sizes per series, even Giant's most demanding pro athletes, women and men of all different heights, always have a perfect fit with stock-size frames.

COMPACT ROAD SIZING

CONVENTIONAL FRAME SIZING (CM)	RIDER HEIGHT	COMPACT ROAD FRAME SIZE	SEATTUBE / TOPTUBE LENGTH (CM)
49–51	5' 2"–5' 4"	XS	42 / 52
51–54	5' 4"–5' 7"	S	44 / 53.5
55–57	5' 7"–5' 10"	M	50 / 55.5
57–59	5' 10"–6' 0"	M/L	53.5 / 57
58–60	6' 0"–6' 3"	L	55.5 / 58.5
61–63	6' 3"–6' 6"	XL	58.5 / 61

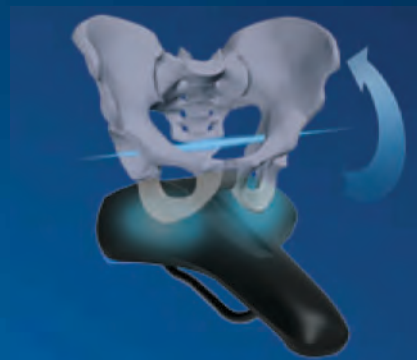
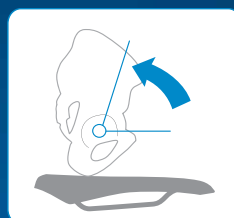
SADDLE TECHNOLOGY

DYNAMIC CYCLING FIT

YOU DON'T JUST SIT ON A BIKE. YOU RIDE IT. THAT'S WHY THE KEY TO PROPER SADDLE FIT AND COMFORT IS THE DYNAMIC CONNECTION BETWEEN THE PELVIS AND THE SADDLE WHILE YOU ARE PEDALING. GIANT'S NEW CONTACT AND CONNECT SERIES SADDLES FEATURE DYNAMIC CYCLING FIT PHILOSOPHY, WHICH FOCUSES ON PELVIC TILT. THIS CRITICAL FACTOR HELPS DETERMINE THE IDEAL SADDLE SHAPE.

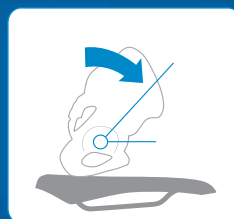
UPRIGHT PELVIC TILT

When the rider is in a more upright position, the pelvic bone is rotated and pressure is focused further toward the rear of the saddle. In this case the pressure is spread into two areas of contact.



FORWARD PELVIC TILT

When the rider is in a more forward position, the pelvic bone is rotated and pressure is focused further forward, toward the center of the saddle. In this case pressure occurs in a more concentrated area.

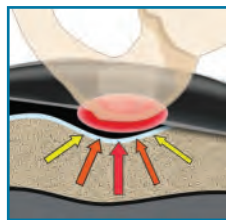


PARTICLE FLOW TECHNOLOGY

Giant Contact Series saddles feature exclusive free-flowing particles inserted into two separate pockets within the structure. The free-flowing particles mold to the rider's contact areas, improving comfort by reducing pressure points.



VS

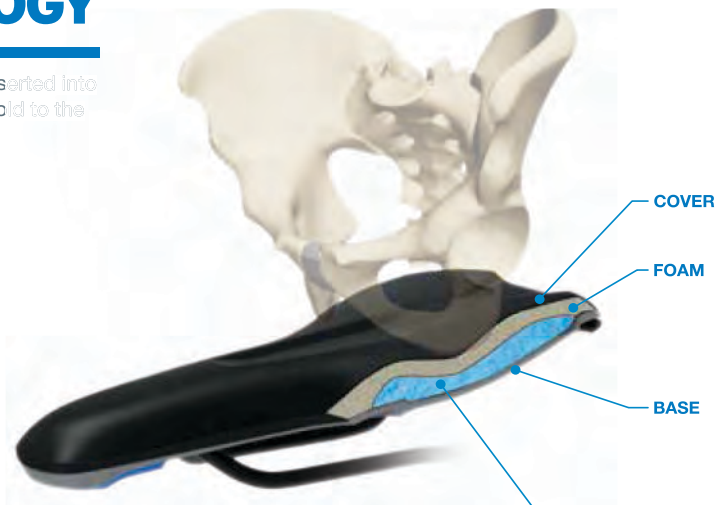


PARTICLE FLOW

Free flowing particles allow the foam to conform to the rider's body and reduce pressure points that cause pain and discomfort.

TRADITIONAL FOAM

Traditional foam can only flex a certain amount, reducing the contact area with the rider and increasing focused areas of pressure.



PARTICLE FLOW TECHNOLOGY

GIANT 27.5

RIDE WITHOUT LIMITS

The off-road world has three wheel sizes from which to choose. Through extensive research and ride testing, Giant has thoroughly analyzed how each size performs under different riding styles and in varying conditions. Our findings show that mountain bikes with 27.5-inch wheels deliver superior performance without the compromises of 26 or 29-inch-wheel bikes. So to create the best riding experience, Giant has expanded its comprehensive lineup of 27.5 off-road bikes for 2015.

WHY 27.5?

There is a common misconception that the performance of 27.5 technology sits squarely in the middle between 26 and 29. But as our data reveals, 27.5 actually displays some of the best characteristics of 26 and 29—and it never measures out exactly in the middle.

When it comes to weight, 27.5 performs more like 26—it's light and agile. And for efficiency and control, it outperforms 29. Rather than introduce a single 27.5 model, as some of our competitors have, Giant continues its commitment to this superior technology in being the first brand to offer a complete 27.5 off-road lineup.

Here's why:

27.5 TECHNOLOGY: THREE REASONS TO BELIEVE

1 LIGHTER WEIGHT

- 27.5-inch wheels are only 5 percent heavier than 26-inch. By comparison, 29-inch wheels are 12 percent heavier than 26-inch.
- Overall weights of 27.5 bikes also trend closer to 26 than heavier 29 versions of the same bikes.

2 MORE EFFICIENT

- 27.5 wheels accelerate much like 26, outperforming the more sluggish feel of 29-inch wheels.
- 27.5 wheels roll over obstacles with much more control than 26. That translates into more efficient cornering, acceleration and braking capabilities.

3 BETTER CONTROL

- The larger the diameter of a wheel, the greater the contact patch of the tire. A larger contact patch results in better traction—which improves acceleration, deceleration and cornering. 27.5 wheels provide a contact patch that is similar to 29-inch wheels.
- The larger the wheel, the larger the frame dimensions must be—and that leads to unwanted flex. A flexing frame causes sloppy handling and slower acceleration under heavy power. A 27.5 frame flexes less than a 29 frame, resulting in better control.



THREE REASONS DEFINED

1. WEIGHT

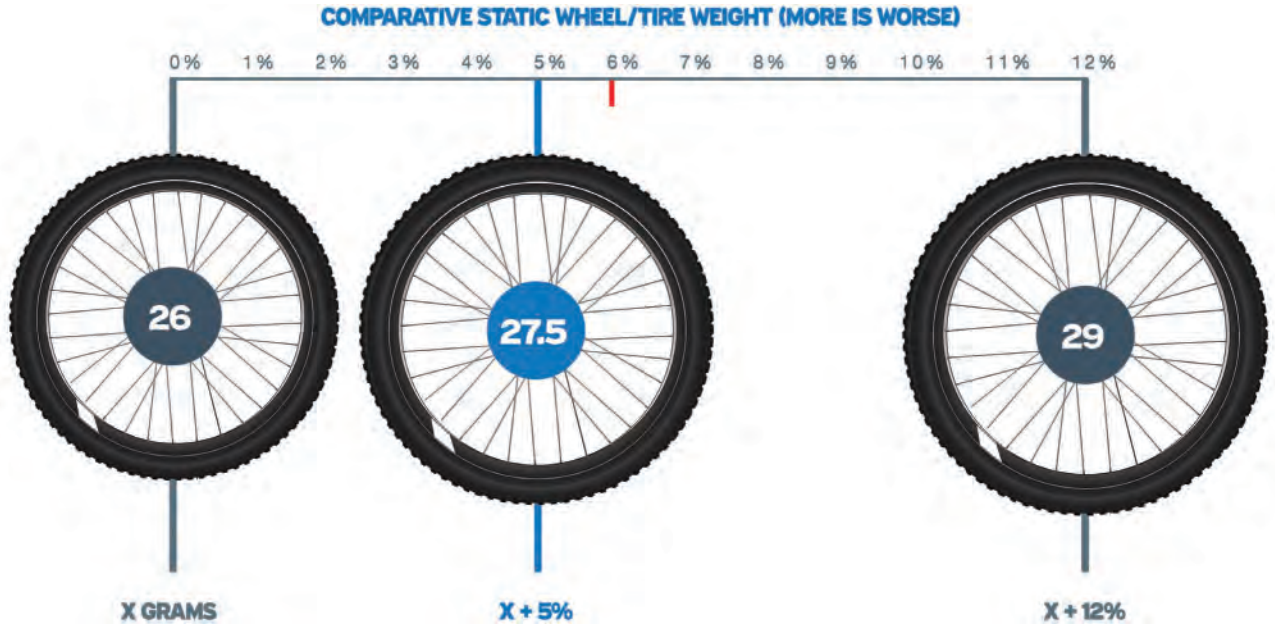
Every rider experiences two types of weight affecting their ride: overall bike weight and rotational wheel weight. Here's a closer look at these two forces and how different wheel sizes alter the dynamics of your ride:

OVERALL BIKE WEIGHT

Compare the weights of identically equipped bikes with different wheel sizes and you'll see substantial weight differences. As expected, the 26-inch-wheel bike is somewhat lighter than the 27.5, and substantially lighter than the 29 (up to 2 pounds of overall bike weight savings from 29 to 27.5). Every gram saved helps you ride faster.

WHEEL/TIRE WEIGHT

The overall weight of a 27.5 wheelset (wheel, tire and inner tube) is only 5 percent greater than that of an identically built 26-inch wheelset. Compare this to the 12 percent increase of a 29-inch wheelset and you can see how a seemingly small increase in diameter results in substantial weight gain—and poorer performance when climbing or accelerating.



2. EFFICIENCY

ROLLOVER

Increased wheel diameter decreases the angle of attack (the angle in which a round object intersects a square edge object). This is a good thing. A 29-inch wheel rolls over a 6-centimeter square-edge obstacle 14 percent more efficiently than a 26-inch wheel does. In comparison, a 27.5-inch wheel rolls over the same obstacle 9.8 percent more efficiently than a 26-inch wheel does.

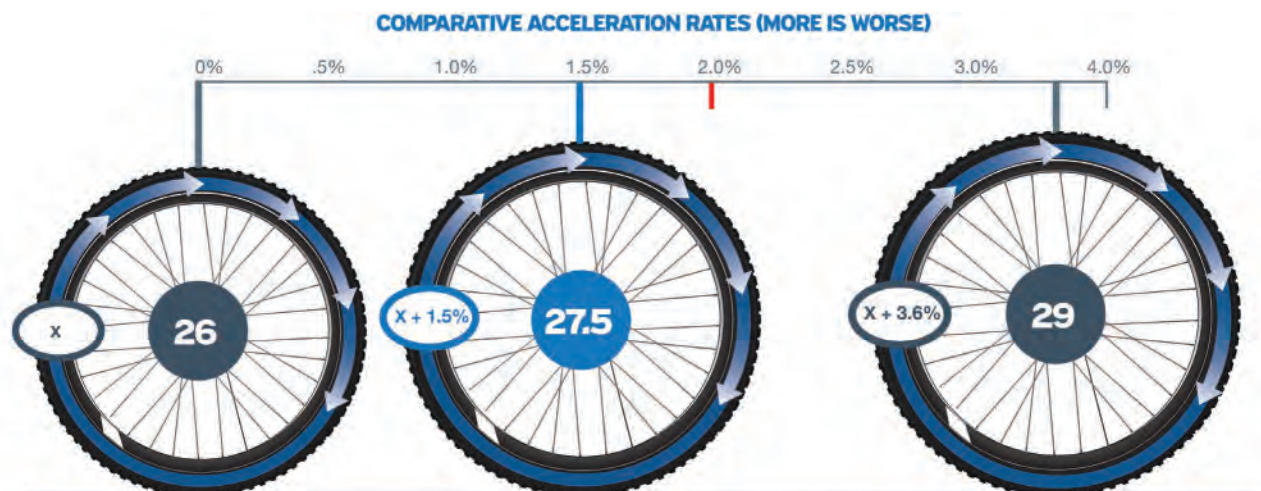
Another way to analyze angle of attack is the degree of impact — where 26-inch equals X degree, 27.5 equals X-4 degrees and 29 equals X-6 degrees. Again, a shallower angle is better — so 29-inch takes the win, with 27.5 exhibiting nearly the same performance but without the weight penalty.



ACCELERATION

Arguably the most important benefit of 27.5 over 29 is quicker acceleration. This is the “snap” that a rider feels when they push hard on the pedals. It is affected not just by overall static weight but also where the weight is distributed throughout the wheel. The farther the weight is from the center of the hub, the slower the acceleration.

So a similarly constructed 1,000-gram 29-inch wheel is slower to accelerate than a 1,000-gram 26-inch wheel — because the larger diameter rim and longer spokes place weight farther from the hub. The key to snappy acceleration is minimizing the weight of the outermost components (rim, nipples, spokes, tire, tube). As you can see, a 27.5 wheel is only 1.5 percent slower to accelerate than a similarly constructed 26-inch wheel, but a 29-inch wheel is 3.6 percent slower than a similarly constructed 26-inch wheel.



3. CONTROL

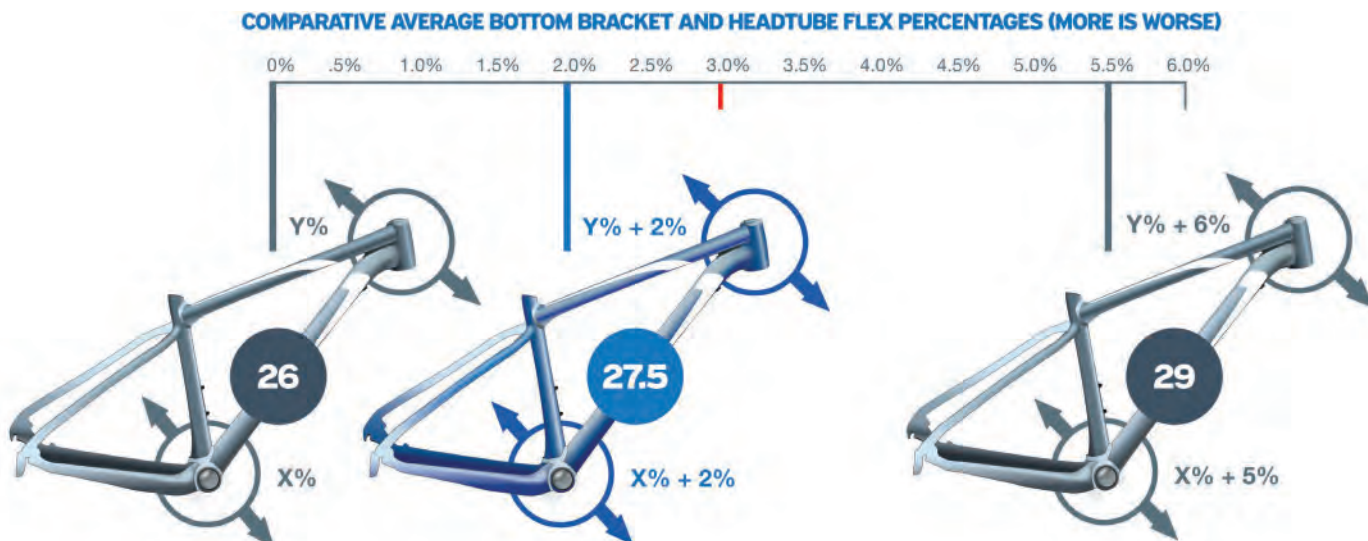
TRACTION

The larger the diameter of a wheel, the greater the contact patch of the tire. A larger contact patch results in better traction, which leads to improved acceleration, deceleration and cornering. As you can see below, a 27.5 wheel has a similar contact patch to the 29.



FRAME STIFFNESS

Lateral (side-to-side) frame stiffness can be affected by wheel size. To accommodate larger wheels, frame dimensions must be elongated. Therefore, a size medium 29-inch wheel frame has more lateral flex (bottom bracket and headtube) than a size medium 27.5 or 26-inch wheel frameset. Additional flex compromises handling under heavy pedaling or sharp cornering.



FRAME GEOMETRY

The larger the wheel, the more difficult it is to optimize geometry, especially on smaller frames. As the frame size decreases, headtube heights become higher (in relation to saddle height). On 26 or 27.5 frames, it's less of a problem, but geometry limitations can affect smaller 29-inch-wheel frames.

LEARN MORE AT [GIANT-BICYCLES.COM/27.5](https://www.giant-bicycles.com/27.5)

MAESTRO SUSPENSION TECHNOLOGY

Whatever off-road adventures you seek, Giant's Maestro Suspension helps you make the most of your efforts. Control, traction, comfort, speed — you get more of everything with Maestro.

From fast and efficient 4-inch-travel XC bikes to full 8-inch DH setups, Maestro is an adaptable full-suspension platform that offers smooth, active rear suspension for any type of trail and all kinds of terrain.



THREE CORE BENEFITS SET MAESTRO SUSPENSION TECHNOLOGY APART:

PEDALING EFFICIENCY

Whether you're sprinting up a climb or coasting through a rock garden, Maestro Suspension performs consistently under pedaling power and doesn't affect your pedaling efficiency.

COMPLETE SUSPENSION ACTIVITY

From high-frequency trail vibrations to heavy-hitting compressions, Maestro Suspension soaks up the full spectrum of trail impacts.

TOTAL BRAKE INDEPENDENCE

Even under full braking force, Maestro Suspension remains active and reactive.

HOW IT WORKS

1 CONTACT EQUALS CONTROL

FEATURES: Maestro's linear spring curve allows the rear suspension to remain incredibly sensitive to both small and big impacts—while never “packing up” under rapid, successive hits or bottoming out under single, massive blows. The secret to the system is Maestro's floating pivot point, which allows the suspension to remain completely active, efficient and independent under spirited pedaling and heavy braking forces.

BENEFIT: The better the contact with the ground, the more you're in control of your ride. And the more sensitive your suspension is, the better your acceleration, braking and cornering traction.

2 FOUR, TWO, ONE

FEATURES: Maestro utilizes four strategically positioned pivot points (identified as the four red dots) and two linkages that all work to create a single floating pivot point (identified as the red circle).

BENEFIT: This single floating pivot point improves pedaling efficiency by counteracting pedaling forces that would otherwise create suspension compression (squatting) or pedal kickback (bobbing). Both seriously hinder performance by sapping energy from you and your bike.

3 LIGHT AND STRONG

FEATURES: Select Maestro-equipped frames feature lightweight designs (such as the co-pivot shock linkage design shown here) to shed hundreds of grams of unnecessary weight without sacrificing stiffness or strength.

BENEFIT: Lighter is faster—up or down the trail.

FLEXPOINT SUSPENSION TECHNOLOGY

FLEXPOINT
Suspension System



SUSPENSION PERFORMANCE MADE SIMPLE

Using the flexing elements of the rear chainstay and seatstay, FlexPoint Suspension eliminates complex pivots and linkages to provide an effective, lightweight and durable suspension system that's easy to maintain.

Key advantages include:

EFFECTIVE PERFORMANCE

The proven "single-pivot" suspension design offers trail riders increased control for more confident off-road riding.

LIGHT AND DURABLE

The flexing action of the chainstay/seatstay junction creates a simple, lightweight and durable system that provides 4.7 inches/120mm of rear wheel travel.

EASY MAINTENANCE

FlexPoint offers similar benefits as multi-link suspension systems but without the added costs or the need for frequent maintenance.

HOW IT WORKS

- 1. NO MECHANICAL REAR PIVOT POINT:**
The flexing action of the chainstay/ seatstay junction creates 4.7inches/120mm of rear wheel travel.
- 2. PROVEN "SINGLE PIVOT" SUSPENSION PERFORMANCE:**
FlexPoint's single pivot suspension design delivers effective performance for light-to-medium trail riding capabilities.
- 3. ALUXX ALUMINUM SWINGARM:**
Giant proprietary swingarm design provides the flexing elements of FlexPoint suspension for durable and effective performance.

FRAME TECHNOLOGIES GLOSSARY

Giant is the leading producer of lighter, stronger frames to improve your riding experience. You can find the following core technologies in our 2015 line of bikes.

142/135MM CONVERTIBLE REAR THRU-AXLE DESIGN

Convertible rear dropouts that allow riders to choose which format works best for their individual needs.

ADVANCED COMPOSITE TECHNOLOGY

From bare thread to finished frame, every Giant composite bicycle is designed, engineered and hand-built in our own factory. Using state-of-the-art materials and manufacturing techniques, both Advanced SL-Grade and Advanced-Grade Composite framesets offer outstanding weight, stiffness and compliance characteristics.

ALUXX ALUMINUM TECHNOLOGY

Born in Giant's own in-house forging facility, every ALUXX aluminum frameset is hand-welded, tempered and aligned to the highest industry standards. Giant's three levels of ALUXX Aluminum Technology - ALUXX SLR, ALUXX SL and ALUXX - provide the discerning rider unequalled levels of performance and value.

AEROSYSTEM SHAPING TECHNOLOGY

Through CFD and wind-tunnel data, engineers optimize each tube shape to deliver superior aerodynamic performance.

COMAX COMPOSITE TECHNOLOGY

This proprietary blend of pure carbon fiber and fiber-reinforced polymer allows Giant engineers to design framesets that deliver comfort, efficiency and light weight, with a ride quality that's tuned for sport and fitness riders.

COMPLIANCE TUNED TECHNOLOGY

Specific composite layup and tube shaping, including ultra-thin and flattened seatstays, a low seatstay/seattube junction, and thin, slightly curved fork legs combine for a balanced, compliant ride quality and reduced rider fatigue.

D-FUSE SEATPOST

The proprietary "D" shaped composite seatpost dampens vibration—resulting in a smooth, compliant ride.

FLEXPOINT SUSPENSION TECHNOLOGY

A proven "single-pivot" design that uses the flexing action of the chainstay/seatstay junction to produce a lightweight and durable suspension system with 4.7 inches/120mm of rear travel.

GROW TECHNOLOGY

Three simple size adjustments allow select Giant Youth models to expand as young riders grow, which extends the lifespan of the bike and ensures proper fit over a longer period of time.

INTEGRATED SEATPOST

As the pioneer of the integrated seatpost, Giant continues to improve its original design with lighter weight (approximately 45 grams of weight savings, compared to a standard composite seatpost), improved aerodynamics and smoother compliance. An adjustable saddle clamp offers 10 or 23 millimeters of offset for precise saddle position.

INTERNAL SEATPOST CLAMP

A lightweight, all-internal seatpost locking mechanism provides confident clamping force with clean performance and aesthetics.

MAESTRO SUSPENSION TECHNOLOGY

Four strategically positioned pivot points and two linkages all work together to create a single floating pivot for the most active, efficient and independent suspension system on the trail.

MEGADRIVE

A massive rectangular downtube and oversize toptube work in unison to provide superior front-end lateral and torsional steering precision. The precisely engineered, rectangular shaped downtube yields unprecedented steering and pedaling stiffness.

OVERDRIVE 2

The most advanced oversized fork steerer tube technology in today's Giant bikes. Designed to offer unprecedented front-end steering performance, the system's oversized headset bearings (1 1/2" lower, 1 1/4" upper) and tapered steerer tube work in harmony to provide supreme steering stiffness.

OVERDRIVE

Giant's original oversized fork steerer tube technology. Designed to provide precise front-end steering performance, the system's oversized headset bearings (1 1/4" lower and 1 1/8" upper for road, 1 1/2" lower and 1 1/8" upper for mountain) and tapered steerer tube work in conjunction to provide optimal steering stiffness.

POWERCORE

A massively oversized bottom-bracket/chainstay area features a fully integrated, 86-millimeter-wide bottom-bracket design (92-millimeter-wide for off-road bikes). Asymmetric chainstays provide additional stiffness on the driveside and stability on the non-driveside.

RIDESENSE READY

Frame comes prepared to accept the Giant RideSense sensor and accompanying hardware.

RIDESENSE

Giant's chainstay integrated, wireless data transmitter. The removable transmitter sends wheel speed and cadence information directly to any ANT+ compatible computer.

CHOOSE YOUR ADVENTURE

Every road, every trail, every challenge, every adventure. From cutting-edge race machines to fun everyday bikes that make you smile. This comprehensive collection of On-Road, X-Road and Off-Road bikes offers something for everyone.

WHERE DO YOU RIDE?



ON-ROAD

I ride paved roads and paths.





X-ROAD

I ride a mix of dirt and pavement.



OFF-ROAD

I ride singletrack and dirt paths.

ON-ROAD

Every road has its own personality. Some climb the highest peaks, others are your daily commute. Whether you're slicing through wind in an all-out sprint, exploring backcountry roads, or riding to work, there's Giant On-Road bike to make the most of every ride.



I RIDE TO COMPETE AND TO PUSH MY LIMITS.

AERO RACE	Propel Advanced SL Propel Advanced Pro
RACE	Propel Advanced TCR Advanced SL TCR Advanced Pro TCR Advanced TCR SLR
TRACK	Omnium
ENDURANCE	Defy Advanced SL Defy Advanced Pro Defy Advanced Defy



I RIDE FOR FITNESS AND FREEDOM.

FITNESS	FastRoad CoMax FastRoad SLR
CITY	Escape Seek



I RIDE FOR FUN AND FUNCTION.

FOLDING	ExpressWay
CITY	Via
COMFORT	Cypress
CRUISER	Simple





**FASTER.
FROM EVERY ANGLE.**



***FASTER.
FROM EVERY ANGLE.***

PROPEL ADVANCED SL 0



\$10,499

Advanced SL
COMFORT TECHNOLOGY

AeroSystem
SHAPING TECHNOLOGY

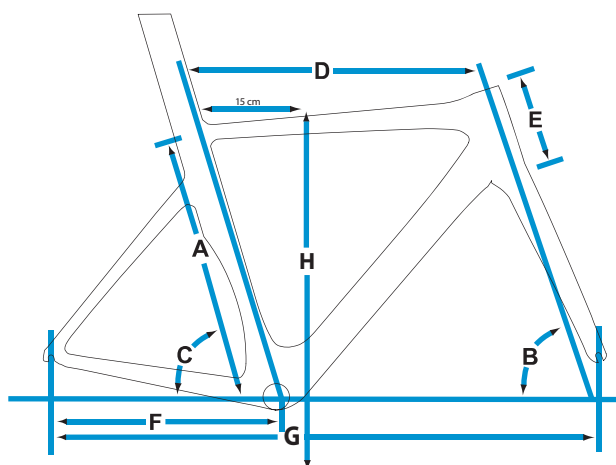
OVERDRIVE2

RS RIDE SENSE



SPECIFICATIONS

FRAME	
SIZES	S, M, M/L, L
COLOURS	Matte Composite/Gloss White/Blue
FRAME	Advanced SL-Grade Composite, Integrated Seatpost
FORK	Advanced SL-Grade Composite, Full-Composite OverDrive 2 Steerer
SHOCK	N/A
COMPONENTS	
HANDLEBAR	Giant Contact SLR Aero Integrated
STEM	Giant Contact SLR Aero Integrated
SEATPOST	N/A
SADDLE	Fi'zi:k Arione R3 w/ Kium Rails
PEDALS	N/A
DRIVETRAIN	
SHIFTERS	Shimano Dura-Ace Di2 w/ Sprint Shifters
FRONT DERAILLEUR	Shimano Dura-Ace Di2
REAR DERAILLEUR	Shimano Dura-Ace Di2
BRAKES	Giant SpeedControl SLR
BRAKE LEVERS	Shimano Dura-Ace Di2
CASSETTE	Shimano Dura-Ace, 11-25, 11-Speed
CHAIN	KMC X11SL
CRANKSET	Shimano Dura-Ace, 36/52
BOTTOM BRACKET	Shimano, Press Fit
WHEELS	
RIMS	Zipp 404 Firecrest, Carbon, Clincher
HUBS	Zipp 404 Firecrest, Carbon, Clincher
SPOKES	Zipp 404 Firecrest, Carbon, Clincher
TIRES	Giant P-SLR1, 700x23, Front and Rear specific, Folding
EXTRAS	
RideSense, 1 ISP Clamp	



FRAME GEOMETRY

SIZE	PART NUMBER	HEAD ANGLE	SEAT ANGLE*	TOP TUBE**	HEAD TUBE	CHAINSTAY	WHEELBASE	STANDOVER HEIGHT***
A	B	C	D	E	F	G	H	
cm	Comp/White	deg	deg	cm	cm	cm	cm	cm
S/46.5 (ISP 71.0)	50004713	72	73.5	53.5	13.5	40.5	97.4	76.8
M/50.0 (ISP 74.0)	50004714	73	73	55.5	15	40.5	98	79
M/L/53.5 (ISP 77.0)	50004715	73	72.5	57	17	40.5	98.6	81.3
L/55.5 (ISP 79.0)	50004716	73	72.5	58.5	18.5	40.5	100.1	83.6

*Seat angle is actual. **Tubetube is measured from center of the headtube horizontally back to the top of the effective extension of the seattube. ***Standover height is based on the largest size tire that will fit the bike, not necessarily the included size tire. Specifications subject to change.

PROPEL ADVANCED SL 1



\$8,699

Advanced SL
COMPOSITE TECHNOLOGY

AeroSystem
SHAPING TECHNOLOGY

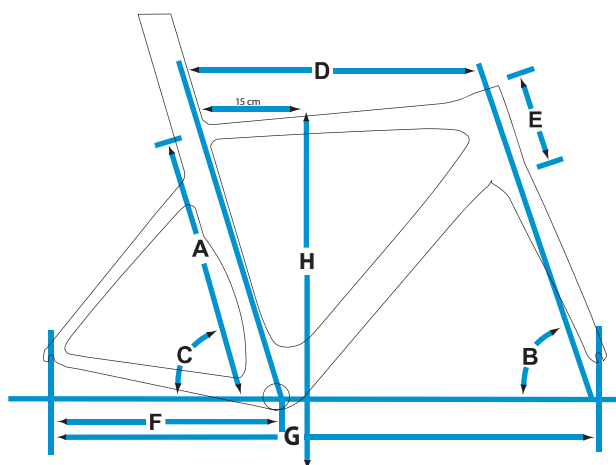
OVERDRIVE2

RS RIDE SENSE



SPECIFICATIONS

FRAME	
SIZES	XS, S, M, M/L, L
COLOURS	Matte Composite/Gloss Charcoal/Bright Green
FRAME	Advanced SL-Grade Composite, Integrated Seatpost
FORK	Advanced SL-Grade Composite, Full-Composite OverDrive 2 Steerer
SHOCK	N/A
COMPONENTS	
HANDLEBAR	Giant Contact SLR Aero, 31.8
STEM	Giant Contact SLR
SEATPOST	N/A
SADDLE	Fi'ziik Arione R3 w/ Kium Rails
PEDALS	N/A
DRIVETRAIN	
SHIFTERS	Shimano Dura-Ace
FRONT DERAILLEUR	Shimano Dura-Ace
REAR DERAILLEUR	Shimano Dura-Ace
BRAKES	Giant SpeedControl SLR
BRAKE LEVERS	Shimano Dura-Ace
CASSETTE	Shimano Dura-Ace, 11-25, 11-Speed
CHAIN	KMC X11SL
CRANKSET	Shimano Dura-Ace, 36/52
BOTTOM BRACKET	Shimano, Press Fit
WHEELS	
RIMS	Zipp 404 Firecrest, Carbon, Clincher
HUBS	Zipp 404 Firecrest, Carbon, Clincher
SPOKES	Zipp 404 Firecrest, Carbon, Clincher
TIRES	Giant P-SLR1, 700x23, Front and Rear specific, Folding
EXTRAS	
RideSense, 1 ISP Clamp	



FRAME GEOMETRY

SIZE	PART NUMBER	HEAD ANGLE	SEAT ANGLE*	TOP TUBE**	HEAD TUBE	CHAINSTAY	WHEELBASE	STANDOVER HEIGHT***
A		B	C	D	E	F	G	H
cm	Comp/Charcoal	deg	deg	cm	cm	cm	cm	cm
XS/43.0 (ISP 68.0)	50004912	71	74.5	51.5	12	40.5	97.2	74.1
S/46.5 (ISP 71.0)	50004913	72	73.5	53.5	13.5	40.5	97.4	76.8
M/50.0 (ISP 74.0)	50004914	73	73	55.5	15	40.5	98	79
M/L/53.5 (ISP 77.0)	50004915	73	72.5	57	17	40.5	98.6	81.3
L/55.5 (ISP 79.0)	50004916	73	72.5	58.5	18.5	40.5	100.1	83.6

*Seat angle is actual. **Top tube is measured from center of the headtube horizontally back to the top of the effective extension of the seattube. ***Standover height is based on the largest size tire that will fit the bike, not necessarily the included size tire. Specifications subject to change.

PROPEL ADVANCED SL 2



\$5,299

Advanced SL
COMPOSITE TECHNOLOGY

AeroSystem
SHAPING TECHNOLOGY

OVERDRIVE2

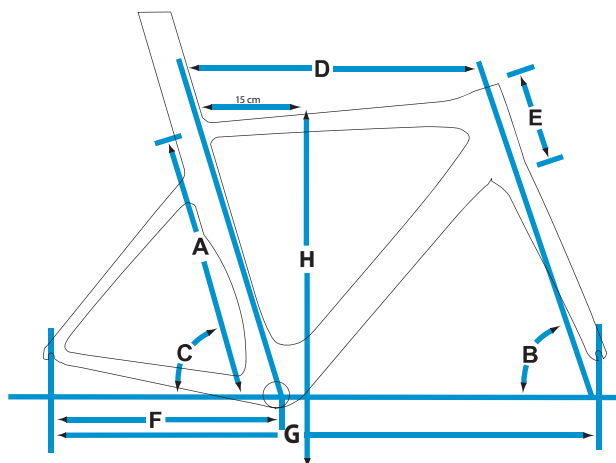
RS RIDE SENSE



SPECIFICATIONS

FRAME	
SIZES	XS, S, M, M/L, L
COLOURS	White/Silver/Black
FRAME	Advanced SL-Grade Composite, Integrated Seatpost
FORK	Advanced SL-Grade Composite, Full-Composite OverDrive 2 Steerer
SHOCK	N/A
COMPONENTS	
HANDLEBAR	Giant Contact SLR Aero, 31.8
STEM	Giant Contact SLR
SEATPOST	N/A
SADDLE	Fi'ziik Arione R3 w/ Kium Rails
PEDALS	N/A
DRIVETRAIN	
SHIFTERS	Shimano Ultegra
FRONT DERAILLEUR	Shimano Ultegra
REAR DERAILLEUR	Shimano Ultegra
BRAKES	Giant SpeedControl SLR
BRAKE LEVERS	Shimano Ultegra
CASSETTE	Shimano Ultegra, 11-25, 11-Speed
CHAIN	KMC X11SL
CRANKSET	Shimano Ultegra, 36/52
BOTTOM BRACKET	Shimano, Press Fit
WHEELS	
RIMS	Giant P-SLR 0 Aero
HUBS	Giant P-SLR 0 Aero
SPOKES	Giant P-SLR 0 Aero
TIRES	Giant P-SLR1, 700x23, Front and Rear specific, Folding
EXTRAS	

RideSense, 1 ISP Clamp



FRAME GEOMETRY

SIZE	PART NUMBER	HEAD ANGLE	SEAT ANGLE*	TOP TUBE**	HEAD TUBE	CHAINSTAY	WHEELBASE	STANDOVER HEIGHT***
A		B	C	D	E	F	G	H
cm	White	deg	deg	cm	cm	cm	cm	cm
XS/43.0 (ISP 68.0)	50005012	71	74.5	51.5	12	40.5	97.2	74.1
S/46.5 (ISP 71.0)	50005013	72	73.5	53.5	13.5	40.5	97.4	76.8
M/50.0 (ISP 74.0)	50005014	73	73	55.5	15	40.5	98	79
M/L/53.5 (ISP 77.0)	50005015	73	72.5	57	17	40.5	98.6	81.3
L/55.5 (ISP 79.0)	50005016	73	72.5	58.5	18.5	40.5	100.1	83.6

*Seat angle is actual. **Top tube is measured from center of the headtube horizontally back to the top of the effective extension of the seat tube. ***Standover height is based on the largest size tire that will fit the bike, not necessarily the included size tire. Specifications subject to change.

PROPEL ADVANCED PRO 0



\$5,499

Advanced
COMPOSITE TECHNOLOGY

AeroSystem
SHAPING TECHNOLOGY

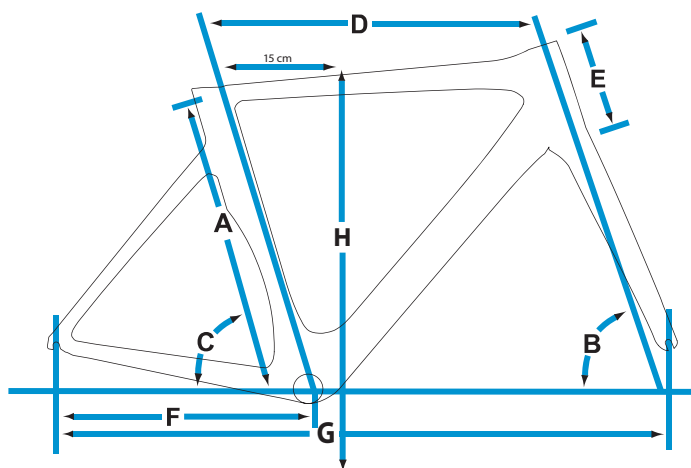
OVERDRIVE2

RS RIDE SENSE



SPECIFICATIONS

FRAME	
SIZES	XS, S, M, M/L, L
COLOURS	Matte Orange/Gloss Black/Grey
FRAME	Advanced-Grade Composite
FORK	Pro-Spec, Advanced-Grade Composite, Full-Composite OverDrive 2 Steerer
SHOCK	N/A
COMPONENTS	
HANDLEBAR	Giant Contact SLR Aero, 31.8
STEM	Giant Contact SL
SEATPOST	Giant Vector Composite
SADDLE	Fi'ziq Arione R3 w/ Kium Rails
PEDALS	N/A
DRIVETRAIN	
SHIFTERS	Shimano Ultegra Di2
FRONT DERAILLEUR	Shimano Ultegra Di2
REAR DERAILLEUR	Shimano Ultegra Di2
BRAKES	Giant SpeedControl SL
BRAKE LEVERS	Shimano Ultegra Di2
CASSETTE	Shimano Ultegra, 11-25, 11-Speed
CHAIN	KMC X11L
CRANKSET	Shimano Ultegra, 36/52
BOTTOM BRACKET	Shimano, Press Fit
WHEELS	
RIMS	Giant P-SLR 0 Aero
HUBS	Giant P-SLR 0 Aero
SPOKES	Giant P-SLR 0 Aero
TIRES	Giant P-SL1, 700x23, Front and Rear specific, Folding
EXTRAS	
RideSense	



FRAME GEOMETRY

SIZE	PART NUMBER	HEAD ANGLE	SEAT ANGLE*	TOP TUBE**	HEAD TUBE	CHAINSTAY	WHEELBASE	STANDOVER HEIGHT***
A	B	C	D	E	F	G	H	
cm	Orange	deg	deg	cm	cm	cm	cm	cm
XS/43.0	50004412	71	74.5	51.5	12	40.5	97.2	74.1
S/46.5	50004413	72	73.5	53.5	13.5	40.5	97.4	76.8
M/50.0	50004414	73	73	55.5	15	40.5	98	79
M/L/53.5	50004415	73	72.5	57	17	40.5	98.6	81.3
L/55.5	50004416	73	72.5	58.5	18.5	40.5	100.1	83.6

*Seat angle is actual. **Top tube is measured from center of the headtube horizontally back to the top of the effective extension of the seattube. ***Standover height is based on the largest size tire that will fit the bike, not necessarily the included size tire. Specifications subject to change.

PROPEL ADVANCED PRO 1



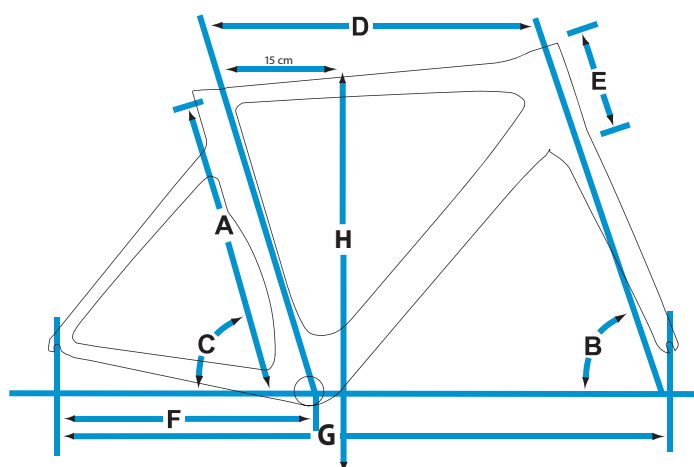
\$4,299



SPECIFICATIONS

FRAME	
SIZES	XS, S, M, M/L, L
COLOURS	Gloss Blue/Matte Black/White
FRAME	Advanced-Grade Composite
FORK	Pro-Spec, Advanced-Grade Composite, Full-Composite OverDrive 2 Steerer
SHOCK	N/A
COMPONENTS	
HANDLEBAR	Giant Contact SLR Aero, 31.8
STEM	Giant Contact SL
SEATPOST	Giant Vector Composite
SADDLE	Fi'ziik Arione CX w/ MG rails
PEDALS	N/A
DRIVETRAIN	
SHIFTERS	Shimano Ultegra
FRONT DERAILLEUR	Shimano Ultegra
REAR DERAILLEUR	Shimano Ultegra
BRAKES	Giant SpeedControl SL
BRAKE LEVERS	Shimano Ultegra
CASSETTE	Shimano Ultegra, 11-25, 11-Speed
CHAIN	KMC X11L
CRANKSET	Shimano Ultegra, 36/52
BOTTOM BRACKET	Shimano, Press Fit
WHEELS	
RIMS	Giant P-SLR 0 Aero
HUBS	Giant P-SLR 0 Aero
SPOKES	Giant P-SLR 0 Aero
TIRES	Giant P-SL1, 700x23, Front and Rear specific, Folding
EXTRAS	

RideSense



FRAME GEOMETRY

SIZE	PART NUMBER	HEAD ANGLE	SEAT ANGLE*	TOP TUBE**	HEAD TUBE	CHAINSTAY	WHEELBASE	STANDOVER HEIGHT***
A		B	C	D	E	F	G	H
cm	Pearl Blue	deg	deg	cm	cm	cm	cm	cm
XS/43.0	50004512	71	74.5	51.5	12	40.5	97.2	74.1
S/46.5	50004513	72	73.5	53.5	13.5	40.5	97.4	76.8
M/50.0	50004514	73	73	55.5	15	40.5	98	79
M/L/53.5	50004515	73	72.5	57	17	40.5	98.6	81.3
L/55.5	50004516	73	72.5	58.5	18.5	40.5	100.1	83.6

*Seat angle is actual. **Top tube is measured from center of the headtube horizontally back to the top of the effective extension of the seattube. ***Standover height is based on the largest size tire that will fit the bike, not necessarily the included size tire. Specifications subject to change.

PROPEL ADVANCED PRO 2



\$3,499

Advanced
COMPOSITE TECHNOLOGY

AeroSystem
SHAPING TECHNOLOGY

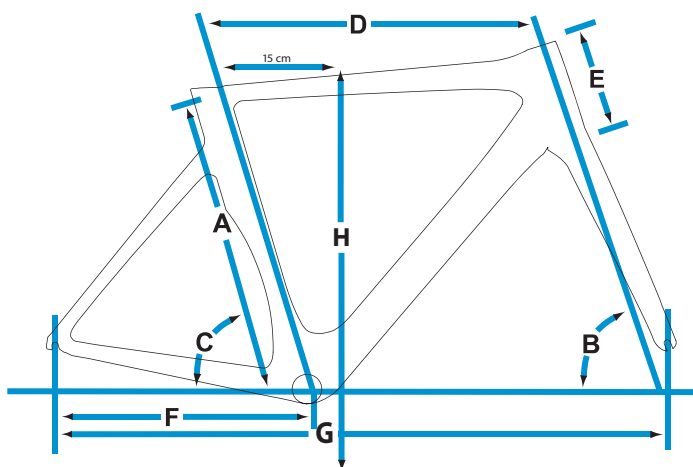
OVERDRIVE2

RS RIDE SENSE



SPECIFICATIONS

FRAME	
SIZES	S, M, M/L, L, XL
COLOURS	Matte Composite/Gloss White/Red
FRAME	Advanced-Grade Composite
FORK	Pro-Spec, Advanced-Grade Composite, Full-Composite OverDrive 2 Steerer
SHOCK	N/A
COMPONENTS	
HANDLEBAR	Giant Contact SL, 31.8
STEM	Giant Contact SL
SEATPOST	Giant Vector Composite
SADDLE	Fi'ziik Arione CX w/ MG Rails
PEDALS	N/A
DRIVETRAIN	
SHIFTERS	Shimano 105
FRONT DERAILLEUR	Shimano 105
REAR DERAILLEUR	Shimano 105
BRAKES	Giant SpeedControl
BRAKE LEVERS	Shimano 105
CASSETTE	Shimano 105, 12-25, 11-Speed
CHAIN	KMC X11L
CRANKSET	Shimano 105, 36/52
BOTTOM BRACKET	Shimano, Press Fit
WHEELS	
RIMS	Giant P-SLR 1 Aero
HUBS	Giant P-SLR 1 Aero
SPOKES	Giant P-SLR 1 Aero
TIRES	Giant P-SL1, 700x23, Front and Rear specific, Folding
EXTRAS	
	RideSense



FRAME GEOMETRY

SIZE	PART NUMBER	HEAD ANGLE	SEAT ANGLE*	TOP TUBE**	HEAD TUBE	CHAINSTAY	WHEELBASE	STANDOVER HEIGHT***
A		B	C	D	E	F	G	H
cm	Comp/White	deg	deg	cm	cm	cm	cm	cm
S/46.5	50004613	72	73.5	53.5	13.5	40.5	97.4	76.8
M/50.0	50004614	73	73	55.5	15	40.5	98	79
M/L/53.5	50004615	73	72.5	57	17	40.5	98.6	81.3
L/55.5	50004616	73	72.5	58.5	18.5	40.5	100.1	83.6
XL/58.5	50004617	73	72	60.5	20	40.5	102.1	84.9

*Seat angle is actual. **Top tube is measured from center of the headtube horizontally back to the top of the effective extension of the seattube. ***Standover height is based on the largest size tire that will fit the bike, not necessarily the included size tire. Specifications subject to change.

PROPEL ADVANCED 1

ON-ROAD
PERFORMANCE
AERO RACE



\$2,649

Advanced
COMPOSITE TECHNOLOGY

AeroSystem
SHAPING TECHNOLOGY

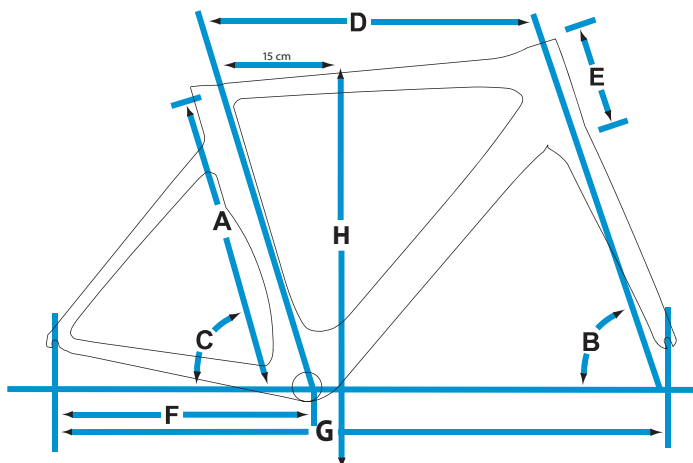
OVERDRIVE

RS
RIDE SENSE



SPECIFICATIONS

FRAME	
SIZES	XS, S, M, M/L, L, XL
COLOURS	Red/White/Black
FRAME	Advanced-Grade Composite
FORK	Advanced-Grade Composite, Alloy OverDrive Steerer
SHOCK	N/A
COMPONENTS	
HANDLEBAR	Giant Contact, 31.8
STEM	Giant Connect
SEATPOST	Giant Vector Composite
SADDLE	Giant Performance Road
PEDALS	N/A
DRIVETRAIN	
SHIFTERS	Shimano Ultegra
FRONT DERAILLEUR	Shimano Ultegra
REAR DERAILLEUR	Shimano Ultegra
BRAKES	Giant SpeedControl
BRAKE LEVERS	Shimano Ultegra
CASSETTE	Shimano Ultegra, 11-28, 11-Speed
CHAIN	KMC X11L
CRANKSET	Shimano Ultegra, 36/52
BOTTOM BRACKET	Shimano, Press Fit
WHEELS	
RIMS	Giant P-A2, Double Wall
HUBS	Giant Performance Tracker Road
SPOKES	Sapim Race
TIRES	Giant P-R3, 700x23, Front and Rear specific



FRAME GEOMETRY

SIZE	PART NUMBER	HEAD ANGLE	SEAT ANGLE*	TOP TUBE**	HEAD TUBE	CHAINSTAY	WHEELBASE	STANDOVER HEIGHT***
A	B	C	D	E	F	G	H	
cm	Red	deg	deg	cm	cm	cm	cm	cm
XS/43.0	50000212	71	74.5	51.5	12	40.5	97.2	74.1
S/46.5	50000213	72	73.5	53.5	13.5	40.5	97.4	76.8
M/50.0	50000214	73	73	55.5	15	40.5	98	79
M/L/53.5	50000215	73	72.5	57	17	40.5	98.6	81.3
L/55.5	50000216	73	72.5	58.5	18.5	40.5	100.1	83.6
XL/58.5	50000217	73	72	60.5	20	40.5	102.1	84.9

*Seat angle is actual. **Tubetube is measured from center of the headtube horizontally back to the top of the effective extension of the seattube. ***Standover height is based on the largest size tire that will fit the bike, not necessarily the included size tire. Specifications subject to change.

PROPEL ADVANCED 2



\$2,099

Advanced
COMPOSITE TECHNOLOGY

AeroSystem
SHAPING TECHNOLOGY

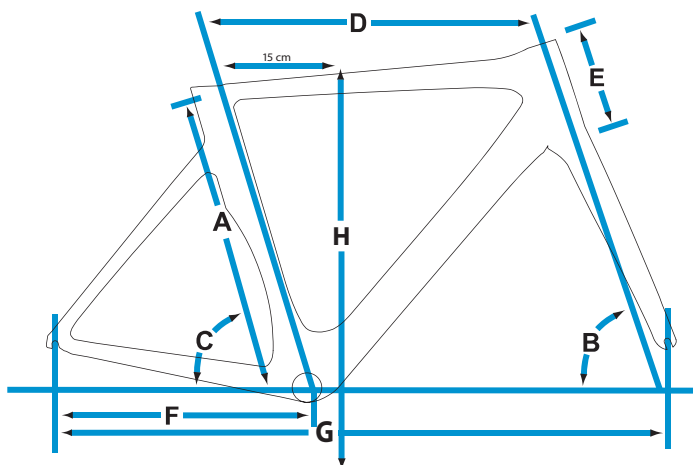
OVERDRIVE

RS RIDE SENSE



SPECIFICATIONS

FRAME	
SIZES	XS, S, M, M/L, L, XL*
COLOURS	Matte Blue/Gloss Silver/Bright Red, Matte Composite/Gloss Silver/White
FRAME	Advanced-Grade Composite
FORK	Advanced-Grade Composite, Alloy OverDrive Steerer
SHOCK	N/A
COMPONENTS	
HANDLEBAR	Giant Contact, 31.8
STEM	Giant Connect
SEATPOST	Giant Vector Composite
SADDLE	Giant Performance Road
PEDALS	N/A
DRIVETRAIN	
SHIFTERS	Shimano 105
FRONT DERAILLEUR	Shimano 105
REAR DERAILLEUR	Shimano 105
BRAKES	Giant SpeedControl
BRAKE LEVERS	Shimano 105
CASSETTE	Shimano 105, 11-28, 11-Speed
CHAIN	KMC X11L
CRANKSET	Shimano RS500, 34/50
BOTTOM BRACKET	Shimano, Press Fit
WHEELS	
RIMS	Giant P-A2, Double Wall
HUBS	Giant Performance Tracker Road
SPOKES	Sapim Race
TIRES	Giant P-R3, 700x23, Front and Rear specific



FRAME GEOMETRY

SIZE	PART NUMBER	PART NUMBER	HEAD ANGLE	SEAT ANGLE*	TOP TUBE**	HEAD TUBE	CHAINSTAY	WHEELBASE	STANDOVER HEIGHT***
A		B	C	D	E	F	G	H	
cm	Blue	Comp	deg	deg	cm	cm	cm	cm	cm
XS/43.0	50000322	50000312	71	74.5	51.5	12	40.5	97.2	74.1
S/46.5	50000323	50000313	72	73.5	53.5	13.5	40.5	97.4	76.8
M/50.0	50000324	50000314	73	73	55.5	15	40.5	98	79
M/L/53.5	50000325	50000315	73	72.5	57	17	40.5	98.6	81.3
L/55.5	50000326	50000316	73	72.5	58.5	18.5	40.5	100.1	83.6
XL/58.5	N/A	50000317	73	72	60.5	20	40.5	102.1	84.9

*Seat angle is actual. **Top tube is measured from center of the headtube horizontally back to the top of the effective extension of the seat tube. ***Standover height is based on the largest size tire that will fit the bike, not necessarily the included size tire. Specifications subject to change.

TCR ADVANCED SL 1

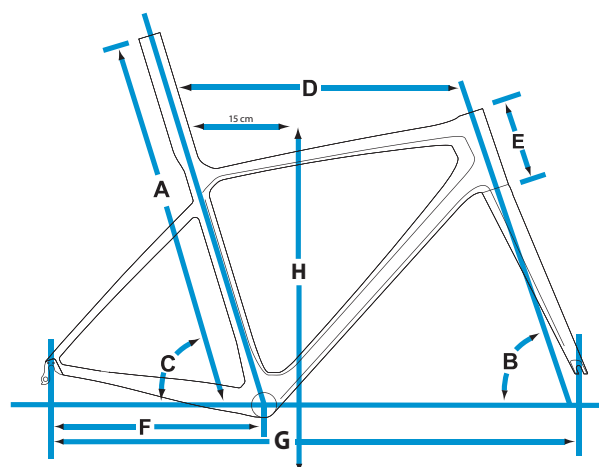


\$6,299



SPECIFICATIONS

FRAME	
SIZES	XS, S, M, M/L, L
COLOURS	Composite/Blue/Bright Green
FRAME	Advanced SL-Grade Composite, Integrated Seatpost
FORK	Advanced SL-Grade Composite, Full-Composite OverDrive 2 Steerer
SHOCK	N/A
COMPONENTS	
HANDLEBAR	Giant Contact SLR, 31.8
STEM	Giant Contact SLR
SEATPOST	N/A
SADDLE	Fi'zick Arione R3 w/ Kium Rails
PEDALS	N/A
DRIVETRAIN	
SHIFTERS	Shimano Dura-Ace
FRONT DERAILLEUR	Shimano Dura-Ace
REAR DERAILLEUR	Shimano Dura-Ace
BRAKES	Shimano Dura-Ace
BRAKE LEVERS	Shimano Dura-Ace
CASSETTE	Shimano Dura-Ace, 11-25, 11-Speed
CHAIN	KMC X11SL
CRANKSET	Shimano Dura-Ace, 36/52
BOTTOM BRACKET	Shimano, Press Fit
WHEELS	
RIMS	Giant P-SLR 1
HUBS	Giant P-SLR 1
SPOKES	Giant P-SLR 1
TIRES	Giant P-SLR1, 700x23, Front and Rear specific, Folding
EXTRAS	
	RideSense



FRAME GEOMETRY

SIZE	PART NUMBER	HEAD ANGLE	SEAT ANGLE*	TOP TUBE**	HEAD TUBE	CHAINSTAY	WHEELBASE	STANDOVER HEIGHT***
A	B	C	D	E	F	G	H	
cm	Comp/Blue	deg	deg	cm	cm	cm	cm	cm
XS/43.0	50005412	71	74.5	51.5	12	40.5	97.2	72.4
S/46.5	50005413	72	73.5	53.5	13.5	40.5	97.4	74.2
M/50.0	50005414	73	73	55.5	15	40.5	98	76.5
M/L/53.5	50005415	73	72.5	57	17	40.5	98.6	78.7
L/55.5	50005416	73	72.5	58.5	18.5	40.5	100.1	80.5

*Seat angle is actual. **Top tube is measured from center of the headtube horizontally back to the top of the effective extension of the seat tube. ***Standover height is based on the largest size tire that will fit the bike, not necessarily the included size tire. Specifications subject to change.

TCR ADVANCED SL 2

ON-ROAD PERFORMANCE RACE



\$3,999

Advanced SL
COMPOSITE TECHNOLOGY

OVERDRIVE2

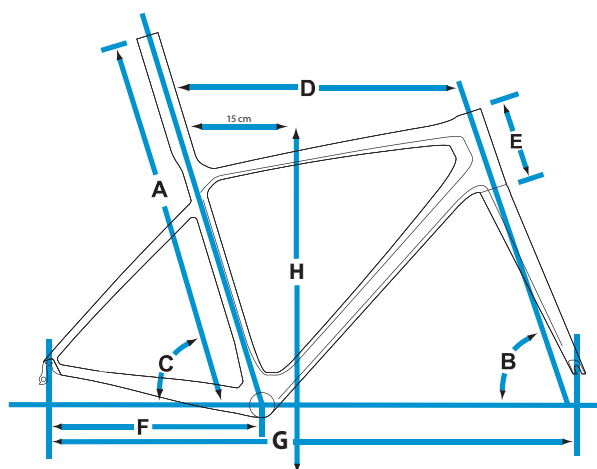
RS RIDE SENSE

COMPACT ROAD



SPECIFICATIONS

FRAME	
SIZES	S, M, M/L, L
COLOURS	Matte Composite/White/Silver
FRAME	Advanced SL-Grade Composite, Integrated Seatpost
FORK	Advanced SL-Grade Composite, Full-Composite OverDrive 2 Steerer
SHOCK	N/A
COMPONENTS	
HANDLEBAR	Giant Contact SLR, 31.8
STEM	Giant Contact SLR
SEATPOST	N/A
SADDLE	Fi'zi'k Arione R3 w/ Kium Rails
PEDALS	N/A
DRIVETRAIN	
SHIFTERS	Shimano Ultegra
FRONT DERAILLEUR	Shimano Ultegra
REAR DERAILLEUR	Shimano Ultegra
BRAKES	Shimano Ultegra
BRAKE LEVERS	Shimano Ultegra
CASSETTE	Shimano Ultegra, 11-25, 11-Speed
CHAIN	KMC X11SL
CRANKSET	Shimano Ultegra, 36/52
BOTTOM BRACKET	Shimano, Press Fit
WHEELS	
RIMS	Giant P-SLR 1
HUBS	Giant P-SLR1
SPOKES	Giant P-SLR1
TIRES	Giant P-SLR1, 700x23, Front and Rear specific, Folding
EXTRAS	
	RideSense



FRAME GEOMETRY

SIZE	PART NUMBER	HEAD ANGLE	SEAT ANGLE*	TOP TUBE**	HEAD TUBE	CHAINSTAY	WHEELBASE	STANDOVER HEIGHT***
A		B	C	D	E	F	G	H
cm	Comp	deg	deg	cm	cm	cm	cm	cm
S/46.5 (ISP 71.0)	50005613	72	73.5	53.5	13.5	40.5	97.4	74.2
M/50.0 (ISP 74.0)	50005614	73	73	55.5	15	40.5	98	76.5
M/L/53.5 (ISP 77.0)	50005615	73	72.5	57	17	40.5	98.6	78.7
L/55.5 (ISP 79.0)	50005616	73	72.5	58.5	18.5	40.5	100.1	80.5

*Seat angle is actual. **Top tube is measured from center of the headtube horizontally back to the top of the effective extension of the seat tube. ***Standover height is based on the largest size tire that will fit the bike, not necessarily the included size tire. Specifications subject to change.

TCR ADVANCED PRO 1

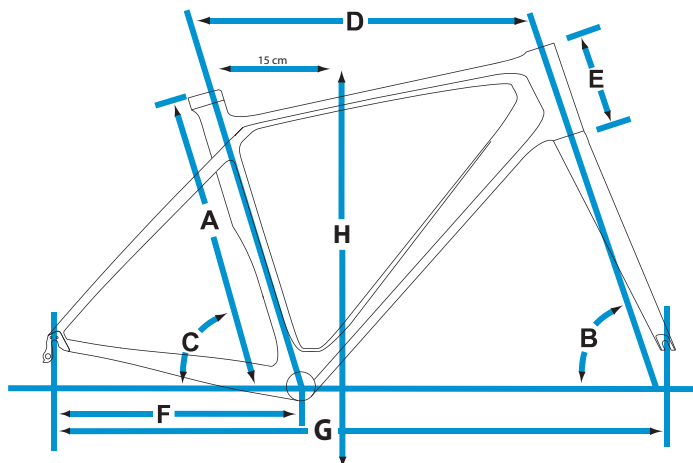


\$3,199



SPECIFICATIONS

FRAME	
SIZES	XS, S, M, M/L, L, XL
COLOURS	White/Green/Blue
FRAME	Advanced-Grade Composite
FORK	Pro-Spec, Advanced-Grade Composite, Full-Composite OverDrive 2 Steerer
SHOCK	N/A
COMPONENTS	
HANDLEBAR	Giant Contact SL, 31.8
STEM	Giant Contact SL
SEATPOST	Giant Vector Composite
SADDLE	Fi'zi:k Arione CX w/ MG Rails
PEDALS	N/A
DRIVETRAIN	
SHIFTERS	Shimano Ultegra
FRONT DERAILLEUR	Shimano Ultegra
REAR DERAILLEUR	Shimano Ultegra
BRAKES	Shimano Ultegra
BRAKE LEVERS	Shimano Ultegra
CASSETTE	Shimano Ultegra, 11-25, 11-Speed
CHAIN	KMC X11L
CRANKSET	Shimano Ultegra, 36/52
BOTTOM BRACKET	Shimano, Press Fit
WHEELS	
RIMS	Giant P-SL 0
HUBS	Giant P-SL 0
SPOKES	Giant P-SL 0
TIRES	Giant P-SL1, 700x23, Front and Rear specific, Folding
EXTRAS	
	RideSense



FRAME GEOMETRY

SIZE	PART NUMBER	HEAD ANGLE	SEAT ANGLE*	TOP TUBE**	HEAD TUBE	CHAINSTAY	WHEELBASE	STANDOVER HEIGHT***
A	B	C	D	E	F	G	H	
cm	White	deg	deg	cm	cm	cm	cm	cm
XS/43.0	50000912	71	74.5	51.5	12	40.5	97.2	72.4
S/46.5	50000913	72	73.5	53.5	13.5	40.5	97.4	74.2
M/50.0	50000914	73	73	55.5	15	40.5	98	76.5
M/L/53.5	50000915	73	72.5	57	17	40.5	98.6	78.7
L/55.5	50000916	73	72.5	58.5	18.5	40.5	100.1	80.5
XL/58.5	50000917	73	72	60.5	20	40.5	102.1	82.3

*Seat angle is actual. **Top tube is measured from center of the headtube horizontally back to the top of the effective extension of the seattube. ***Standover height is based on the largest size tire that will fit the bike, not necessarily the included size tire. Specifications subject to change.

TCR ADVANCED PRO 2

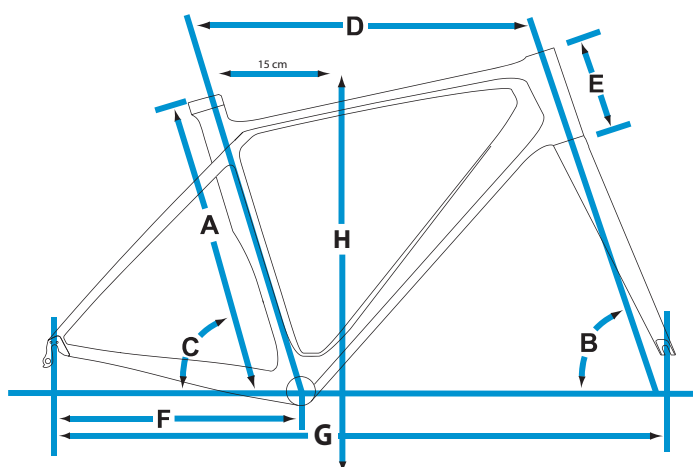


\$2,399



SPECIFICATIONS

FRAME	
SIZES	S, M, M/L, L
COLOURS	Composite/Blue/Red
FRAME	Advanced-Grade Composite
FORK	Pro-Spec, Advanced-Grade Composite, Full-Composite OverDrive 2 Steerer
SHOCK	N/A
COMPONENTS	
HANDLEBAR	Giant Contact SL, 31.8
STEM	Giant Contact SL
SEATPOST	Giant Vector Composite
SADDLE	Fi'zi'k Arione CX w/ MG Rails
PEDALS	N/A
DRIVETRAIN	
SHIFTERS	Shimano 105
FRONT DERAILLEUR	Shimano 105
REAR DERAILLEUR	Shimano 105
BRAKES	Shimano 105
BRAKE LEVERS	Shimano 105
CASSETTE	Shimano 105, 12-25, 11-Speed
CHAIN	KMC X11L
CRANKSET	Shimano 105, 36/52
BOTTOM BRACKET	Shimano, Press Fit
WHEELS	
RIMS	Giant P-SL 1
HUBS	Giant P-SL 1
SPOKES	Giant P-SL 1
TIRES	Giant P-SL1, 700x23, Front and Rear specific, Folding
EXTRAS	
	RideSense



FRAME GEOMETRY

SIZE	PART NUMBER	HEAD ANGLE	SEAT ANGLE*	TOP TUBE**	HEAD TUBE	CHAINSTAY	WHEELBASE	STANDOVER HEIGHT***
A		B	C	D	E	F	G	H
cm	Comp	deg	deg	cm	cm	cm	cm	cm
S/46.5	50001013	72	73.5	53.5	13.5	40.5	97.4	74.2
M/50.0	50001014	73	73	55.5	15	40.5	98	76.5
M/L/53.5	50001015	73	72.5	57	17	40.5	98.6	78.7
L/55.5	50001016	73	72.5	58.5	18.5	40.5	100.1	80.5

*Seat angle is actual. **Top tube is measured from center of the headtube horizontally back to the top of the effective extension of the seat tube. ***Standover height is based on the largest size tire that will fit the bike, not necessarily the included size tire. Specifications subject to change.

TCR ADVANCED 2

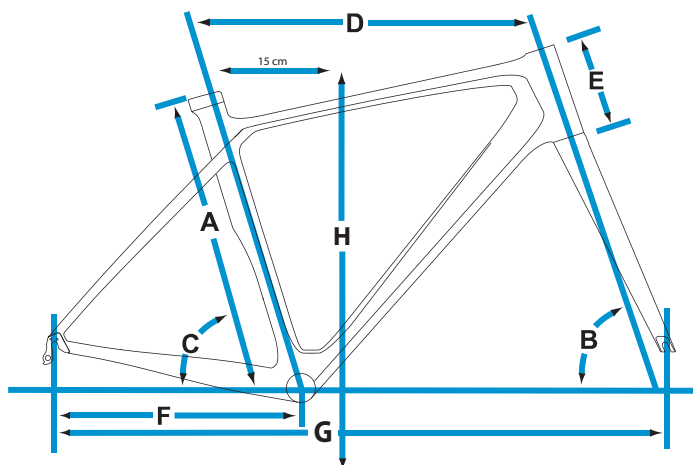


\$1,949



SPECIFICATIONS

FRAME	
SIZES	XS, S, M, M/L, L, XL
COLOURS	Matte Composite/Blue/White
FRAME	Advanced-Grade Composite
FORK	Advanced-Grade Composite, Alloy OverDrive Steerer
SHOCK	N/A
COMPONENTS	
HANDLEBAR	Giant Contact, 31.8
STEM	Giant Connect
SEATPOST	Giant Vector Composite
SADDLE	Giant Performance Road
PEDALS	N/A
DRIVETRAIN	
SHIFTERS	Shimano 105
FRONT DERAILLEUR	Shimano 105
REAR DERAILLEUR	Shimano 105
BRAKES	Shimano 105
BRAKE LEVERS	Shimano 105
CASSETTE	Shimano 105, 11-28, 11-Speed
CHAIN	KMC X11L
CRANKSET	Shimano RS500, 34/50
BOTTOM BRACKET	Shimano, Press Fit
WHEELS	
RIMS	Giant P-R2, Double Wall
HUBS	Giant Performance Tracker Road
SPOKES	Sapim Race
TIRES	Giant P-SL1, 700x23, Front and Rear specific, Folding



FRAME GEOMETRY

SIZE	PART NUMBER	HEAD ANGLE	SEAT ANGLE*	TOP TUBE**	HEAD TUBE	CHAINSTAY	WHEELBASE	STANDOVER HEIGHT***
A	B	C	D	E	F	G	H	
cm	Comp	deg	deg	cm	cm	cm	cm	cm
XS/43.0	50005112	71	74.5	51.5	12	40.5	97.2	72.4
S/46.5	50005113	72	73.5	53.5	13.5	40.5	97.4	74.2
M/50.0	50005114	73	73	55.5	15	40.5	98	76.5
M/L/53.5	50005115	73	72.5	57	17	40.5	98.6	78.7
L/55.5	50005116	73	72.5	58.5	18.5	40.5	100.1	80.5
XL/58.5	50005117	73	72	60.5	20	40.5	102.1	82.3

*Seat angle is actual. **Top tube is measured from center of the headtube horizontally back to the top of the effective extension of the seat tube. ***Standover height is based on the largest size tire that will fit the bike, not necessarily the included size tire. Specifications subject to change.

TCR SLR 2



\$1,489

ALUXX SLR

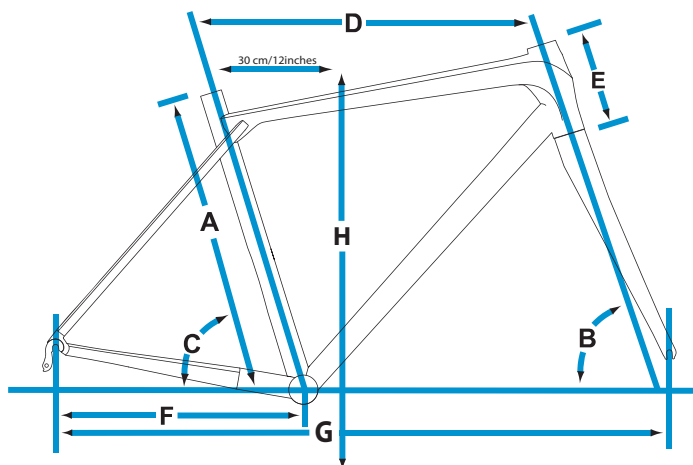
OVERDRIVE

COMPACT ROAD



SPECIFICATIONS

FRAME	
SIZES	XS, S, M, M/L, L, XL
COLOURS	Matte Black/Orange/Grey
FRAME	ALUXX SLR-Grade Aluminum
FORK	Advanced-Grade Composite, Alloy OverDrive Steerer
SHOCK	N/A
COMPONENTS	
HANDLEBAR	Giant Contact, 31.8
STEM	Giant Connect
SEATPOST	Giant Vector Composite
SADDLE	Giant Performance Road
PEDALS	N/A
DRIVETRAIN	
SHIFTERS	Shimano 105
FRONT DERAILLEUR	Shimano 105
REAR DERAILLEUR	Shimano 105
BRAKES	Shimano RS561
BRAKE LEVERS	Shimano 105
CASSETTE	Shimano 105, 11-28, 11-Speed
CHAIN	KMC X11L
CRANKSET	Shimano RS500, 36/52
BOTTOM BRACKET	Shimano, Press Fit
WHEELS	
RIMS	Giant P-R2, Double Wall
HUBS	Giant Performance Tracker Road
SPOKES	Sapim Race
TIRES	Giant P-SL1, 700x23, Front and Rear specific, Folding



FRAME GEOMETRY

SIZE	PART NUMBER	HEAD ANGLE	SEAT ANGLE*	TOP TUBE**	HEAD TUBE	CHAINSTAY	WHEELBASE	STANDOVER HEIGHT***
A	B	C	D	E	F	G	H	
cm	Black	deg	deg	cm	cm	cm	cm	cm
XS/43.0	50001212	71	74.5	51.5	12	40.5	97.2	72.4
S/46.5	50001213	72	73.5	53.5	13.5	40.5	97.4	74.2
M/50.0	50001214	73	73	55.5	15	40.5	98	76.5
M/L/53.5	50001215	73	72.5	57	17	40.5	98.6	78.7
L/55.5	50001216	73	72.5	58.5	18.5	40.5	100.1	80.5
XL/58.5	50001217	73	72	60.5	20	40.5	102.1	82.3

*Seat angle is actual. **Top tube is measured from center of the headtube horizontally back to the top of the effective extension of the seat tube. ***Standover height is based on the largest size tire that will fit the bike, not necessarily the included size tire. Specifications subject to change.

OMNIUM

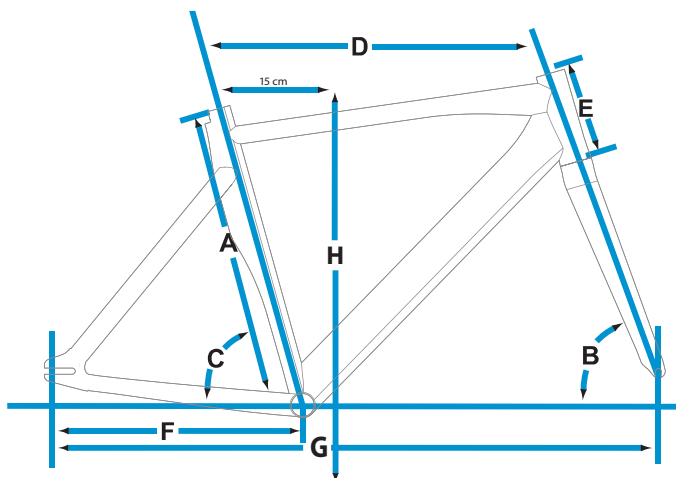


\$1,349



SPECIFICATIONS

FRAME	
SIZES	S, M, M/L, L
COLOURS	Black/White
FRAME	ALUXX SL-Grade Aluminum? Aero track design
FORK	Advanced-Grade Composite, Alloy OverDrive Steerer
SHOCK	N/A
COMPONENTS	
HANDLEBAR	Giant Contact SL, 31.8
STEM	Giant Connect
SEATPOST	Giant Vector Composite
SADDLE	Fi'zi'k Aliante Delta w/ MG Rails
PEDALS	N/A
DRIVETRAIN	
SHIFTERS	N/A
FRONT DERAILLEUR	N/A
REAR DERAILLEUR	N/A
BRAKES	N/A
BRAKE LEVERS	N/A
CASSETTE	1/2x1/8" 13T, 14T, 15T, 16T
CHAIN	KMC 710SL
CRANKSET	Truvativ Omnium 1.1 Track, 48
BOTTOM BRACKET	Truvativ GXP Cartridge
WHEELS	
RIMS	Giant Alloy SL Aero, 42mm
HUBS	High Flange Track Specific, Sealed Bearing, [F]20H, [R] 24H
SPOKES	Sapim Race
TIRES	Giant P-SLR1, 700x23, Front and Rear specific, Folding



FRAME GEOMETRY

SIZE	PART NUMBER	HEAD ANGLE	SEAT ANGLE*	TOP TUBE**	HEAD TUBE	CHAINSTAY	WHEELBASE	STANDOVER HEIGHT***
A	B	C	D	E	F	G	H	
cm	Black	deg	deg	cm	cm	cm	cm	cm
S/49.0	54000113	73.5	74.5	53.5	13.5	40	96.1	74.9
M/51.5	54000114	74	74.5	55.5	15	40	97.7	79.8
M/L/53.5	54000115	74	74	56.5	17	40	98.4	80.8
L/55.5	54000116	73.5	74	58	18.5	40	99.4	81.3

*Seat angle is actual. **Tuptube is measured from center of the headtube horizontally back to the top of the effective extension of the seattube. ***Standover height is based on the largest size tire that will fit the bike, not necessarily the included size tire. Specifications subject to change.

DEFY ADVANCED SL 0



\$10,499

Advanced SL
COMPOSITE TECHNOLOGY

D-Fuse

OVERDRIVE2

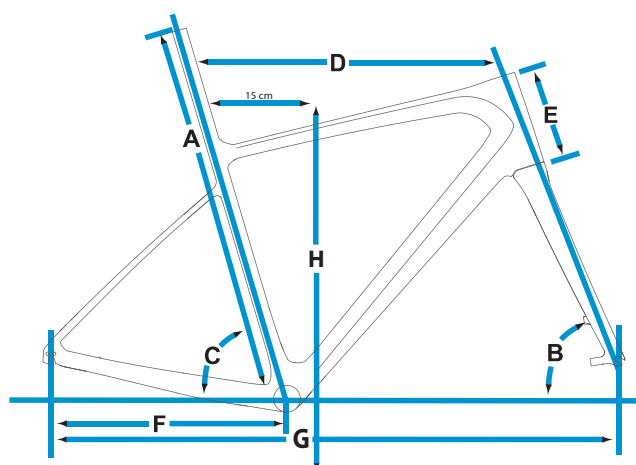
RS RIDE SENSE

COMPACT ROAD



SPECIFICATIONS

FRAME	
SIZES	S, M, M/L, L
COLOURS	Matte Composite/Cyan/Red
FRAME	Advanced SL-Grade Composite, Integrated Seatpost
FORK	Advanced SL-Grade Composite, Full-Composite OverDrive 2 Steerer
SHOCK	N/A
COMPONENTS	
HANDLEBAR	Giant Contact SLR, 31.8
STEM	Giant Contact SLR
SEATPOST	N/A
SADDLE	Fi'ziik Aliante Gamma w/ Kium Rails
PEDALS	N/A
DRIVETRAIN	
SHIFTERS	Shimano R785
FRONT DERAILLEUR	Shimano Dura-Ace Di2
REAR DERAILLEUR	Shimano Dura-Ace Di2
BRAKES	Shimano R785 Hydraulic Disc, 140mm
BRAKE LEVERS	Shimano R785 Disc
CASSETTE	Shimano Dura-Ace, 11-28, 11-Speed
CHAIN	KMC X11SL
CRANKSET	Shimano Dura-Ace, 34/50
BOTTOM BRACKET	Shimano, Press Fit
WHEELS	
RIMS	Zipp 202 Firecrest, Carbon, Clincher, Disc
HUBS	Zipp 202 Firecrest, Carbon, Clincher, Disc
SPOKES	Zipp 202 Firecrest, Carbon, Clincher, Disc
TIRES	Giant P-SLR1, 700x25, Front and Rear specific, Folding
EXTRAS	
	RideSense



FRAME GEOMETRY

SIZE	PART NUMBER	HEAD ANGLE	SEAT ANGLE*	TOP TUBE**	HEAD TUBE	CHAINSTAY	WHEELBASE	STANDOVER HEIGHT***
A	B	C	D	E	F	G	H	
cm	Comp	deg	deg	cm	cm	cm	cm	cm
S/46.5 (ISP 71.0)	50003713	72	74	53	14.5	42	99	75.4
M/50.0 (ISP 74.0)	50003714	72.5	73.5	54.5	16.5	42	99.5	77.7
M/L/53.5 (ISP 77.0)	50003715	72.5	73	56	18.5	42	100.7	79
L/55.5 (ISP 79.0)	50003716	72.5	73	57.5	20.5	42	102.2	81.3

*Seat angle is actual. **Tuptube is measured from center of the headtube horizontally back to the top of the effective extension of the seattube. ***Standover height is based on the largest size tire that will fit the bike, not necessarily the included size tire. Specifications subject to change.

DEFY ADVANCED SL 1



\$4,999

Advanced SL
COMPOSITE TECHNOLOGY

D-Fuse

OVERDRIVE2

RS RIDE SENSE

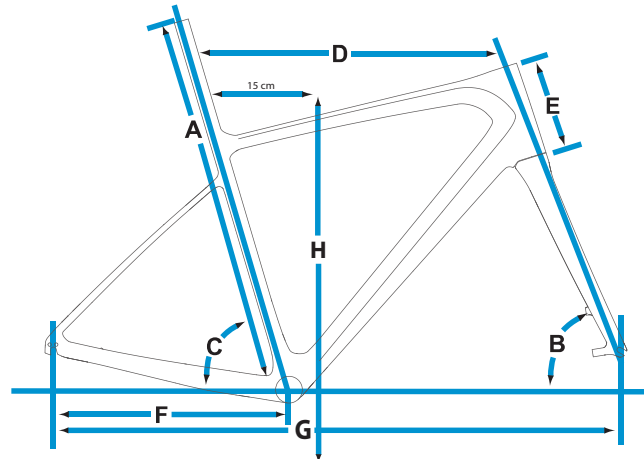
COMPACT ROAD



SPECIFICATIONS

FRAME	
SIZES	XS, S, M, M/L, L, XL
COLOURS	Gloss White/Matte Black/Bright Green
FRAME	Advanced SL-Grade Composite, Integrated Seatpost
FORK	Advanced SL-Grade Composite, Full-Composite OverDrive 2 Steerer
SHOCK	N/A
COMPONENTS	
HANDLEBAR	Giant Contact SLR, 31.8
STEM	Giant Contact SLR
SEATPOST	N/A
SADDLE	Fi'ziik Aliante Gamma w/ Kium Rails
PEDALS	N/A
DRIVETRAIN	
SHIFTERS	Shimano RS685
FRONT DERAILLEUR	Shimano Ultegra
REAR DERAILLEUR	Shimano Ultegra
BRAKES	Shimano R685 Hydraulic Disc, 140mm
BRAKE LEVERS	Shimano RS685 Disc
CASSETTE	Shimano Ultegra, 11-28, 11-Speed
CHAIN	KMC X11SL
CRANKSET	Shimano Ultegra, 34/50
BOTTOM BRACKET	Shimano, Press Fit
WHEELS	
RIMS	Giant P-SLR 0, Disc
HUBS	Giant P-SLR 0, Disc
SPOKES	Giant P-SLR 0, Disc
TIRES	Giant P-SLR1, 700x25, Front and Rear specific, Folding
EXTRAS	

RideSense



FRAME GEOMETRY

SIZE	PART NUMBER	HEAD ANGLE	SEAT ANGLE*	TOP TUBE**	HEAD TUBE	CHAINSTAY	WHEELBASE	STANDOVER HEIGHT***
A	B	C	D	E	F	G	H	
cm	White	deg	deg	cm	cm	cm	cm	cm
XS/43.0 (ISP 68.0)	50003812	71	74	51.5	12.5	42	98.3	73.7
S/46.5 (ISP 71.0)	50003813	72	74	53	14.5	42	99	75.4
M/50.0 (ISP 74.0)	50003814	72.5	73.5	54.5	16.5	42	99.5	77.7
M/L/53.5 (ISP 77.0)	50003815	72.5	73	56	18.5	42	100.7	79
L/55.5 (ISP 79.0)	50003816	72.5	73	57.5	20.5	42	102.2	81.3
XL/58.5 (ISP 82.0)	50003817	72.5	72.5	59.5	22.5	42	103.7	83.3

*Seat angle is actual. **Top tube is measured from center of the headtube horizontally back to the top of the effective extension of the seat tube. ***Standover height is based on the largest size tire that will fit the bike, not necessarily the included size tire. Specifications subject to change.

DEFY ADVANCED PRO 0

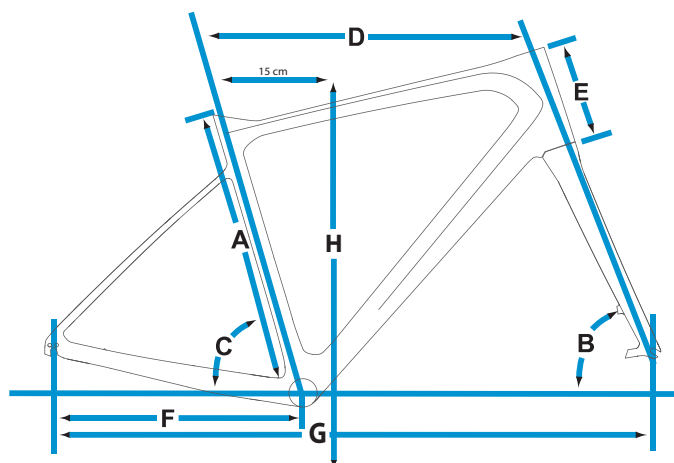


\$4,499



SPECIFICATIONS

FRAME	
SIZES	XS, S, M, M/L, L, XL
COLOURS	Matte Black/Gloss Black/Blue
FRAME	Advanced-Grade Composite
FORK	Pro-Spec, Advanced-Grade Composite, Full-Composite OverDrive 2 Steerer
SHOCK	N/A
COMPONENTS	
HANDLEBAR	Giant Contact SL, 31.8
STEM	Giant Contact SL
SEATPOST	Giant D-Fuse SL Composite
SADDLE	Fi'zi:k Aliante Gamma w/ Kium Rails
PEDALS	N/A
DRIVETRAIN	
SHIFTERS	Shimano R785
FRONT DERAILLEUR	Shimano Ultegra Di2
REAR DERAILLEUR	Shimano Ultegra Di2
BRAKES	Shimano R785 Hydraulic Disc, 140mm
BRAKE LEVERS	Shimano R785 Disc
CASSETTE	Shimano Ultegra, 11-28, 11-Speed
CHAIN	KMC X11SL
CRANKSET	Shimano Ultegra, 34/50
BOTTOM BRACKET	Shimano, Press Fit
WHEELS	
RIMS	Giant P-SL 0, Disc
HUBS	Giant P-SL 0, Disc
SPOKES	Giant P-SL 0, Disc
TIRES	Giant P-SLR1, 700x25, Front and Rear specific, Folding
EXTRAS	
RideSense	



FRAME GEOMETRY

SIZE	PART NUMBER	HEAD ANGLE	SEAT ANGLE*	TOP TUBE**	HEAD TUBE	CHAINSTAY	WHEELBASE	STANDOVER HEIGHT***
A	B	C	D	E	F	G	H	
cm	Comp	deg	deg	cm	cm	cm	cm	cm
XS/43.0	50003212	71	74	51.5	12.5	42	98.3	73.7
S/46.5	50003213	72	74	53	14.5	42	99	75.4
M/50.0	50003214	72.5	73.5	54.5	16.5	42	99.5	77.7
M/L/53.5	50003215	72.5	73	56	18.5	42	100.7	79
L/55.5	50003216	72.5	73	57.5	20.5	42	102.2	81.3
XL/58.5	50003217	72.5	72.5	59.5	22.5	42	103.7	83.3

*Seat angle is actual. **Top tube is measured from center of the headtube horizontally back to the top of the effective extension of the seat tube. ***Standover height is based on the largest size tire that will fit the bike, not necessarily the included size tire. Specifications subject to change.

DEFY ADVANCED PRO 1



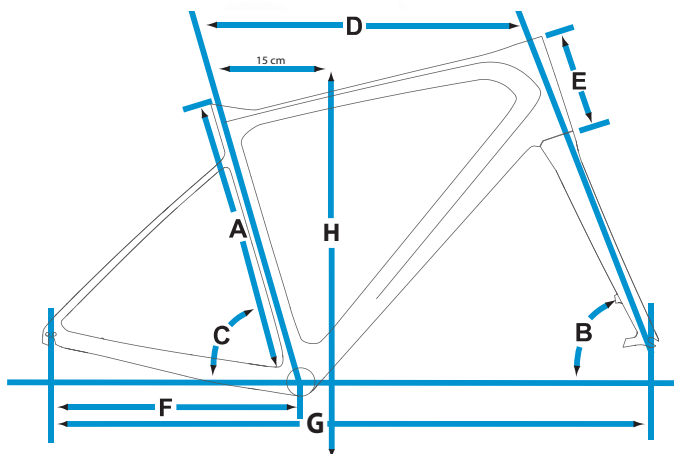
\$3,399



SPECIFICATIONS

FRAME	
SIZES	XS, S, M, M/L, L, XL
COLOURS	Matte Black/Gloss Red/Silver
FRAME	Advanced-Grade Composite
FORK	Pro-Spec, Advanced-Grade Composite, Full-Composite OverDrive 2 Steerer
SHOCK	N/A
COMPONENTS	
HANDLEBAR	Giant Contact SL, 31.8
STEM	Giant Contact SL
SEATPOST	Giant D-Fuse SL Composite
SADDLE	Fi'ziik Aliante Gamma w/ Kium Rails
PEDALS	N/A
DRIVETRAIN	
SHIFTERS	Shimano RS685
FRONT DERAILLEUR	Shimano Ultegra
REAR DERAILLEUR	Shimano Ultegra
BRAKES	Shimano R685 Hydraulic Disc, 140mm
BRAKE LEVERS	Shimano RS685 Disc
CASSETTE	Shimano Ultegra, 11-28, 11-Speed
CHAIN	KMC X11SL
CRANKSET	Shimano Ultegra, 34/50
BOTTOM BRACKET	Shimano, Press Fit
WHEELS	
RIMS	Giant P-SL 0, Disc
HUBS	Giant P-SL 0, Disc
SPOKES	Giant P-SL 0, Disc
TIRES	Giant P-SLR1, 700x25, Front and Rear specific, Folding
EXTRAS	

RideSense



FRAME GEOMETRY

SIZE	PART NUMBER	HEAD ANGLE	SEAT ANGLE*	TOP TUBE**	HEAD TUBE	CHAINSTAY	WHEELBASE	STANDOVER HEIGHT***
A		B	C	D	E	F	G	H
cm	Comp/Red	deg	deg	cm	cm	cm	cm	cm
XS/43.0	50003312	71	74	51.5	12.5	42	98.3	73.7
S/46.5	50003313	72	74	53	14.5	42	99	75.4
M/50.0	50003314	72.5	73.5	54.5	16.5	42	99.5	77.7
M/L/53.5	50003315	72.5	73	56	18.5	42	100.7	79
L/55.5	50003316	72.5	73	57.5	20.5	42	102.2	81.3
XL/58.5	50003317	72.5	72.5	59.5	22.5	42	103.7	83.3

*Seat angle is actual. **Top tube is measured from center of the headtube horizontally back to the top of the effective extension of the seat tube. ***Standover height is based on the largest size tire that will fit the bike, not necessarily the included size tire. Specifications subject to change.

DEFY ADVANCED 1

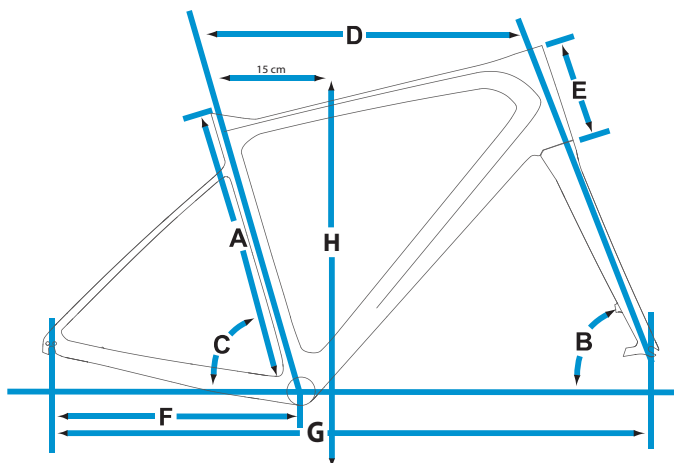


\$2,399



SPECIFICATIONS

FRAME	
SIZES	XS, S, M, M/L, L, XL
COLOURS	White/Red/Light Blue
FRAME	Advanced-Grade Composite
FORK	Advanced-Grade Composite, Alloy OverDrive Steerer
SHOCK	N/A
COMPONENTS	
HANDLEBAR	Giant Contact, 31.8
STEM	Giant Connect
SEATPOST	Giant D-Fuse Composite
SADDLE	Giant Performance Road
PEDALS	N/A
DRIVETRAIN	
SHIFTERS	Shimano Ultegra
FRONT DERAILLEUR	Shimano Ultegra
REAR DERAILLEUR	Shimano Ultegra
BRAKES	TRP Spyre Mechanical Disc, 160mm
BRAKE LEVERS	Shimano Ultegra
CASSETTE	Shimano Ultegra, 11-28, 11-Speed
CHAIN	KMC X11L
CRANKSET	Shimano Ultegra, 34/50
BOTTOM BRACKET	Shimano, Press Fit
WHEELS	
RIMS	Giant P-R2, Double Wall, Disc
HUBS	Giant Performance Tracker Road
SPOKES	Sapim Race
TIRES	Giant P-R3, 700x25, Front and Rear specific



FRAME GEOMETRY

SIZE	PART NUMBER	HEAD ANGLE	SEAT ANGLE*	TOP TUBE**	HEAD TUBE	CHAINSTAY	WHEELBASE	STANDOVER HEIGHT***
A	B	C	D	E	F	G	H	
cm	White	deg	deg	cm	cm	cm	cm	cm
XS/43.0	50002912	71	74	51.5	12.5	42	98.3	73.7
S/46.5	50002913	72	74	53	14.5	42	99	75.4
M/50.0	50002914	72.5	73.5	54.5	16.5	42	99.5	77.7
M/L/53.5	50002915	72.5	73	56	18.5	42	100.7	79
L/55.5	50002916	72.5	73	57.5	20.5	42	102.2	81.3
XL/58.5	50002917	72.5	72.5	59.5	22.5	42	103.7	83.3

*Seat angle is actual. **Top tube is measured from center of the headtube horizontally back to the top of the effective extension of the seat tube. ***Standover height is based on the largest size tire that will fit the bike, not necessarily the included size tire. Specifications subject to change.

DEFY ADVANCED 2

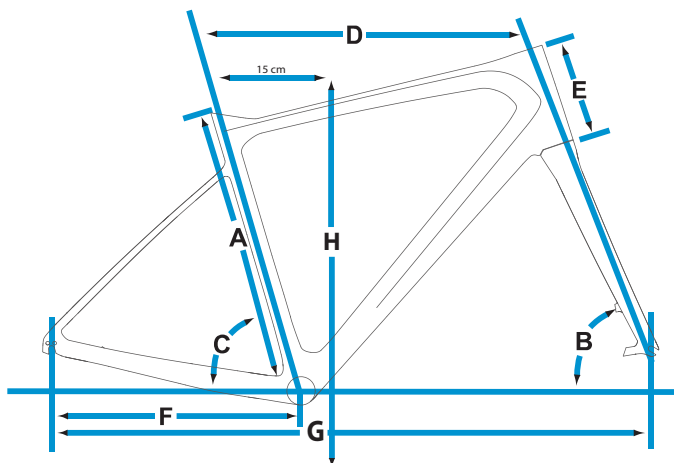


\$1,949



SPECIFICATIONS

FRAME	
SIZES	XS, S, M, M/L, L, XL
COLOURS	Matte Composite/White/Green, Silver/Black/White
FRAME	Advanced-Grade Composite
FORK	Advanced-Grade Composite, Alloy OverDrive Steerer
SHOCK	N/A
COMPONENTS	
HANDLEBAR	Giant Contact, 31.8
STEM	Giant Connect
SEATPOST	Giant D-Fuse Composite
SADDLE	Giant Performance Road
PEDALS	N/A
DRIVETRAIN	
SHIFTERS	Shimano 105
FRONT DERAILLEUR	Shimano 105
REAR DERAILLEUR	Shimano 105
BRAKES	TRP Spyre Mechanical Disc, 160mm
BRAKE LEVERS	Shimano 105
CASSETTE	Shimano 105, 11-28, 11-Speed
CHAIN	KMC X11L
CRANKSET	Shimano RS500, 34/50
BOTTOM BRACKET	Shimano, Press Fit
WHEELS	
RIMS	Giant P-R2, Double Wall, Disc
HUBS	Giant Performance Tracker Road
SPOKES	Sapim Race
TIRES	Giant P-R3, 700x25, Front and Rear specific



FRAME GEOMETRY

SIZE	PART NUMBER	PART NUMBER	HEAD ANGLE	SEAT ANGLE*	TOP TUBE**	HEAD TUBE	CHAINSTAY	WHEEL-BASE	STANDOVER HEIGHT***
A		B	C	D	E	F	G	H	
cm	Comp/White	Silver	deg	deg	cm	cm	cm	cm	cm
XS/43.0	50003012	50003022	71	74	51.5	12.5	42	98.3	73.7
S/46.5	50003013	50003023	72	74	53	14.5	42	99	75.4
M/50.0	50003014	50003024	72.5	73.5	54.5	16.5	42	99.5	77.7
M/L/53.5	50003015	50003025	72.5	73	56	18.5	42	100.7	79
L/55.5	50003016	50003026	72.5	73	57.5	20.5	42	102.2	81.3
XL/58.5	50003017	50003027	72.5	72.5	59.5	22.5	42	103.7	83.3

*Seat angle is actual. **Top tube is measured from center of the headtube horizontally back to the top of the effective extension of the seat tube. ***Standover height is based on the largest size tire that will fit the bike, not necessarily the included size tire. Specifications subject to change.

DEFY ADVANCED 3

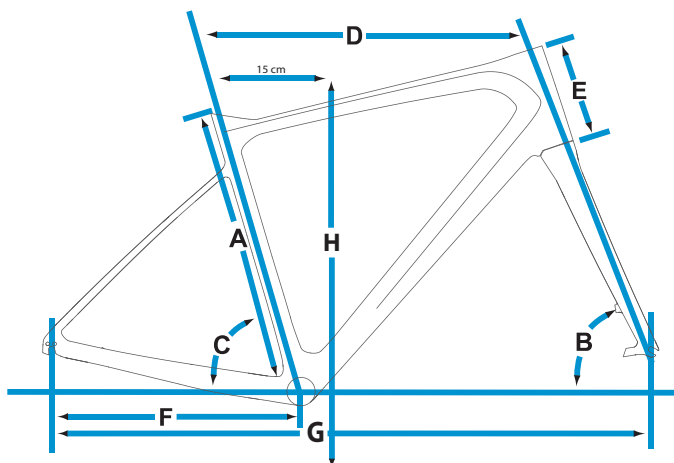


\$1,699



SPECIFICATIONS

FRAME	
SIZES	XS, S, M, M/L, L, XL
COLOURS	Pearl Blue/Black/White
FRAME	Advanced-Grade Composite
FORK	Advanced-Grade Composite, Alloy OverDrive Steerer
SHOCK	N/A
COMPONENTS	
HANDLEBAR	Giant Connect, 31.8
STEM	Giant Connect
SEATPOST	Giant D-Fuse Composite
SADDLE	Giant Performance Road
PEDALS	N/A
DRIVETRAIN	
SHIFTERS	Shimano Tiagra
FRONT DERAILLEUR	Shimano Tiagra
REAR DERAILLEUR	Shimano Tiagra
BRAKES	TRP Spyre Mechanical Disc, 160mm
BRAKE LEVERS	Shimano Tiagra
CASSETTE	Shimano Tiagra, 12-30, 10-Speed
CHAIN	KMC X10L
CRANKSET	Shimano Tiagra, 34/50
BOTTOM BRACKET	Shimano, Press Fit
WHEELS	
RIMS	Giant S-R2, Double Wall, Disc
HUBS	Giant Sport Tracker Road
SPOKES	Sapim
TIRES	Giant P-R3, 700x25, Front and Rear specific



FRAME GEOMETRY

SIZE	PART NUMBER	HEAD ANGLE	SEAT ANGLE*	TOP TUBE**	HEAD TUBE	CHAINSTAY	WHEELBASE	STANDOVER HEIGHT***
A	B	C	D	E	F	G	H	
cm	Pearl Blue	deg	deg	cm	cm	cm	cm	cm
XS/43.0	50003112	71	74	51.5	12.5	42	98.3	73.7
S/46.5	50003113	72	74	53	14.5	42	99	75.4
M/50.0	50003114	72.5	73.5	54.5	16.5	42	99.5	77.7
M/L/53.5	50003115	72.5	73	56	18.5	42	100.7	79
L/55.5	50003116	72.5	73	57.5	20.5	42	102.2	81.3
XL/58.5	50003117	72.5	72.5	59.5	22.5	42	103.7	83.3

*Seat angle is actual. **Top tube is measured from center of the headtube horizontally back to the top of the effective extension of the seat tube. ***Standover height is based on the largest size tire that will fit the bike, not necessarily the included size tire. Specifications subject to change.

DEFY 1

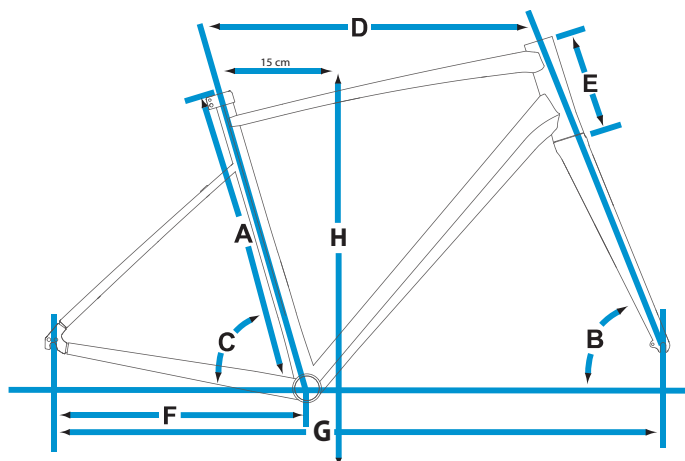


\$1,399



SPECIFICATIONS

FRAME	
SIZES	XS, S, M, M/L, L, XL
COLOURS	Matte Black/White/Blue
FRAME	ALUXX SL-Grade Aluminum
FORK	Advanced-Grade Composite, Alloy OverDrive Steerer
SHOCK	N/A
COMPONENTS	
HANDLEBAR	Giant Connect, 31.8
STEM	Giant Sport
SEATPOST	Giant D-Fuse Composite
SADDLE	Giant Performance Road
PEDALS	Caged w/ Clips
DRIVETRAIN	
SHIFTERS	Shimano 105
FRONT DERAILLEUR	Shimano 105
REAR DERAILLEUR	Shimano 105
BRAKES	Tektro TR540, Dual Pivot
BRAKE LEVERS	Shimano 105
CASSETTE	Shimano 105, 11-32, 11-speed
CHAIN	KMC X11L
CRANKSET	FSA Gossamer Pro, 34/50
BOTTOM BRACKET	Shimano, Press Fit
WHEELS	
RIMS	Giant P-R2, Double Wall
HUBS	Giant Performance Tracker Road
SPOKES	Sapim Race
TIRES	Giant P-R3, 700x25, Front and Rear specific



FRAME GEOMETRY

SIZE	PART NUMBER	HEAD ANGLE	SEAT ANGLE*	TOP TUBE**	HEAD TUBE	CHAINSTAY	WHEELBASE	STANDOVER HEIGHT***
A	B	C	D	E	F	G	H	
cm	Black/White	deg	deg	cm	cm	cm	cm	cm
XS/43.0	50002412	71	74	51.5	12.5	42	98.3	73.7
S/46.5	50002413	72	74	53	14.5	42	99	75.4
M/50.0	50002414	72.5	73.5	54.5	16.5	42	99.5	77.7
M/L/53.5	50002415	72.5	73	56	18.5	42	100.7	79
L/55.5	50002416	72.5	73	57.5	20.5	42	102.2	81.3
XL/58.5	50002417	72.5	72.5	59.5	22.5	42	103.7	83.3

*Seat angle is actual. **Top tube is measured from center of the headtube horizontally back to the top of the effective extension of the seat tube. ***Standover height is based on the largest size tire that will fit the bike, not necessarily the included size tire. Specifications subject to change.

DEFY 2

ON-ROAD
PERFORMANCE
ENDURANCE

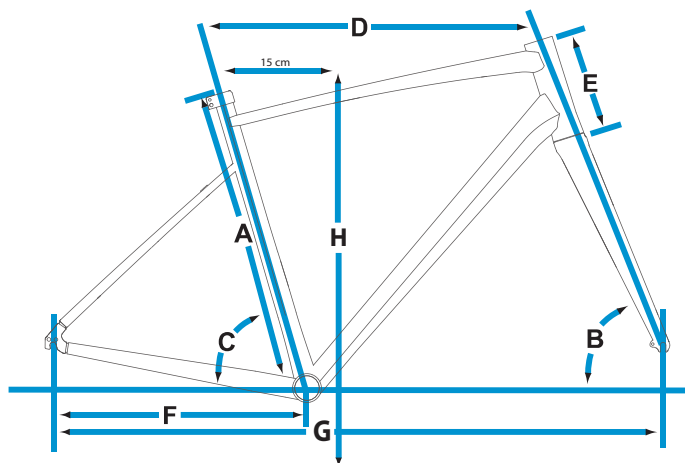


\$1,199



SPECIFICATIONS

FRAME	
SIZES	XS, S, M, M/L, L, XL
COLOURS	Charcoal/White/Red, Silver/Black/Blue
FRAME	ALUXX SL-Grade Aluminum
FORK	Advanced-Grade Composite, Alloy OverDrive Steerer
SHOCK	N/A
COMPONENTS	
HANDLEBAR	Giant Connect, 31.8
STEM	Giant Sport
SEATPOST	Giant D-Fuse Composite
SADDLE	Giant Performance Road
PEDALS	Caged w/ Clips
DRIVETRAIN	
SHIFTERS	Shimano Tiagra
FRONT DERAILLEUR	Shimano Tiagra
REAR DERAILLEUR	Shimano Tiagra
BRAKES	Tektro R312, Dual Pivot
BRAKE LEVERS	Shimano Tiagra
CASSETTE	Shimano Tiagra, 12-30, 10-Speed
CHAIN	KMC X10
CRANKSET	Shimano Tiagra, 34/50
BOTTOM BRACKET	Shimano, Press Fit
WHEELS	
RIMS	Giant S-R2, Double Wall
HUBS	Giant Sport Tracker Road
SPOKES	Stainless
TIRES	Giant S-R4, 700x25, Front and Rear specific



FRAME GEOMETRY

SIZE	PART NUMBER	PART NUMBER	HEAD ANGLE	SEAT ANGLE*	TOP TUBE**	HEAD TUBE	CHAINSTAY	WHEEL-BASE	STANDOVER HEIGHT***
A			B	C	D	E	F	G	H
cm	Charcoal	Light Silver	deg	deg	cm	cm	cm	cm	cm
XS/43.0	50002512	50002522	71	74	51.5	12.5	42	98.3	73.7
S/46.5	50002513	50002523	72	74	53	14.5	42	99	75.4
M/50.0	50002514	50002524	72.5	73.5	54.5	16.5	42	99.5	77.7
M/L/53.5	50002515	50002525	72.5	73	56	18.5	42	100.7	79
L/55.5	50002516	50002526	72.5	73	57.5	20.5	42	102.2	81.3
XL/58.5	50002517	50002527	72.5	72.5	59.5	22.5	42	103.7	83.3

*Seat angle is actual. **Top tube is measured from center of the headtube horizontally back to the top of the effective extension of the seat tube. ***Standover height is based on the largest size tire that will fit the bike, not necessarily the included size tire. Specifications subject to change.

DEFY 3

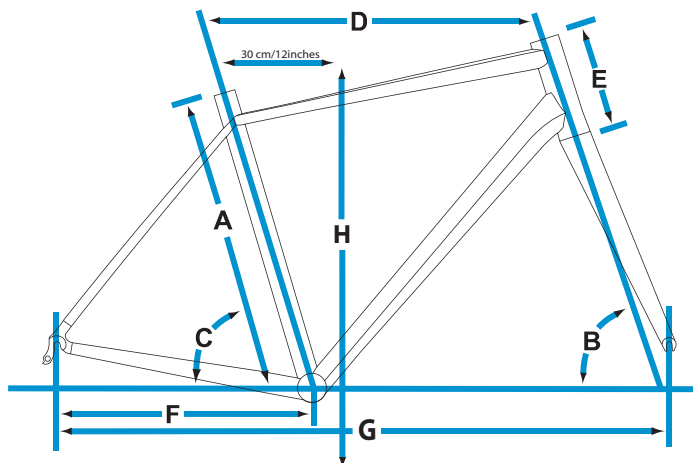


\$989



SPECIFICATIONS

FRAME	
SIZES	XS, S, M, M/L, L, XL
COLOURS	Black/Red/Silver
FRAME	ALUXX-Grade Aluminum
FORK	Advanced-Grade Composite, Alloy OverDrive Steerer
SHOCK	N/A
COMPONENTS	
HANDLEBAR	Giant Connect, 31.8
STEM	Giant Sport
SEATPOST	Giant Sport, 30.9
SADDLE	Giant Performance Road
PEDALS	Caged w/ Clips
DRIVETRAIN	
SHIFTERS	Shimano Sora
FRONT DERAILLEUR	Shimano Sora
REAR DERAILLEUR	Shimano Sora
BRAKES	Tektro R312, Dual Pivot
BRAKE LEVERS	Shimano Sora
CASSETTE	SRAM PG950, 11-32, 9-Speed
CHAIN	KMC X9
CRANKSET	Shimano Sora, 50/34
BOTTOM BRACKET	Cartridge
WHEELS	
RIMS	Giant S-R2, Double Wall
HUBS	Giant Sport Tracker Road
SPOKES	Stainless
TIRES	Giant S-R4, 700x25, Front and Rear specific



FRAME GEOMETRY

SIZE	PART NUMBER	HEAD ANGLE	SEAT ANGLE*	TOP TUBE**	HEAD TUBE	CHAINSTAY	WHEELBASE	STANDOVER HEIGHT***
A	B	C	D	E	F	G	H	
cm	Black	deg	deg	cm	cm	cm	cm	cm
XS/43.0	50002622	71	74	51.5	12.5	42	98.3	73.7
S/46.5	50002623	72	74	53	14.5	42	99	75.4
M/50.0	50002624	72.5	73.5	54.5	16.5	42	99.5	77.7
M/L/53.5	50002625	72.5	73	56	18.5	42	100.7	79
L/55.5	50002626	72.5	73	57.5	20.5	42	102.2	81.3
XL/58.5	50002627	72.5	72.5	59.5	22.5	42	103.7	83.3

*Seat angle is actual. **Top tube is measured from center of the headtube horizontally back to the top of the effective extension of the seat tube. ***Standover height is based on the largest size tire that will fit the bike, not necessarily the included size tire. Specifications subject to change.

FASTROAD COMAX 1



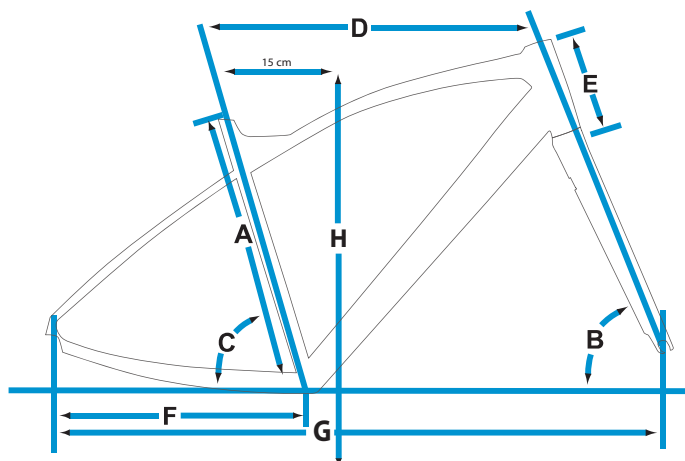
\$1,649



SPECIFICATIONS

FRAME	
SIZES	XS, S, M, M/L, L, XL
COLOURS	Black/Red/Silver
FRAME	CoMax Composite Technology
FORK	Advanced-Grade Composite, Alloy OverDrive Steerer
SHOCK	N/A
COMPONENTS	
HANDLEBAR	Connect XC Flat, 31.8
STEM	Giant Connect
SEATPOST	Giant D-Fuse Composite
SADDLE	Giant Contact, Forward
PEDALS	N/A
DRIVETRAIN	
SHIFTERS	Shimano RS700
FRONT DERAILLEUR	Shimano 105
REAR DERAILLEUR	Shimano 105
BRAKES	Tektro HD-M330 Hydraulic Disc
BRAKE LEVERS	Tektro HD-M330
CASSETTE	Shimano 105, 11-28, 11-Speed
CHAIN	KMC X11L
CRANKSET	Shimano RS500, 34/50
BOTTOM BRACKET	Shimano Press Fit
WHEELS	
RIMS	Giant P-R2, Double Wall, Disc
HUBS	Giant Performance Tracker Road
SPOKES	Sapim Race
TIRES	Giant P-R3, 700x25, All-Condition
EXTRAS	

Bar Ends, RideSense



FRAME GEOMETRY

SIZE	PART NUMBER	HEAD ANGLE	SEAT ANGLE*	TOP TUBE**	HEAD TUBE	CHAINSTAY	WHEELBASE	STANDOVER HEIGHT***
A		B	C	D	E	F	G	H
cm	Comp/Red	deg	deg	cm	cm	cm	cm	cm
XS/43.5	50012612	70.5	74.5	53	10.5	42.5	99.7	74.3
S/46.0	50012613	71	74	53.5	13	42.5	99.9	76
M/50.0	50012614	72	73.5	55	15.5	42.5	100.5	77.9
M/L/51.5	50012615	72	73	57.5	18	42.5	103	79.6
L/52.5	50012616	72	73	59.5	20	42.5	103.9	81.6
XL/55.5	50012617	72	73	61.5	22.5	42.5	105.3	83.4

*Seat angle is actual. **Top tube is measured from center of the headtube horizontally back to the top of the effective extension of the seat tube. ***Standover height is based on the largest size tire that will fit the bike, not necessarily the included size tire. Specifications subject to change.

FASTROAD SLR 1



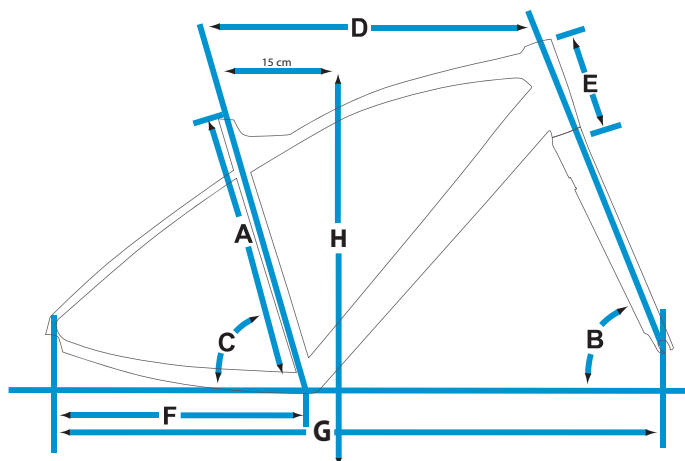
\$1,199



SPECIFICATIONS

FRAME	
SIZES	XS, S, M, M/L, L, XL
COLOURS	Black/Bright Blue
FRAME	ALUXX SLR-Grade Aluminum
FORK	Advanced-Grade Composite, Alloy OverDrive Steerer
SHOCK	N/A
COMPONENTS	
HANDLEBAR	Connect XC Flat, 31.8
STEM	Giant Connect
SEATPOST	Giant D-Fuse
SADDLE	Giant Connect, Forward
PEDALS	N/A
DRIVETRAIN	
SHIFTERS	Shimano R460
FRONT DERAILLEUR	Shimano Tiagra
REAR DERAILLEUR	Shimano Tiagra
BRAKES	Tektro HD-M290 Hydraulic Disc
BRAKE LEVERS	Tektro HD-M290
CASSETTE	Shimano Tiagra, 12-30, 10-Speed
CHAIN	KMC X10
CRANKSET	FSA Omega, 34/50
BOTTOM BRACKET	FSA Press Fit
WHEELS	
RIMS	Giant S-R2, Alloy, Double Wall, Disc
HUBS	Giant Tracker Sport Road
SPOKES	Sapim
TIRES	Giant S-R3, 700x28, All-Condition
EXTRAS	

Bar Ends, RideSense



FRAME GEOMETRY

SIZE	PART NUMBER	HEAD ANGLE	SEAT ANGLE*	TOP TUBE**	HEAD TUBE	CHAINSTAY	WHEELBASE	STANDOVER HEIGHT***
A	B	C	D	E	F	G	H	
cm	Black	deg	deg	cm	cm	cm	cm	cm
XS/43.5	50012412	71	73.5	53	10.5	42.5	99.7	73.8
S/46.0	50012413	71.5	73.5	53.5	13	42.5	99.9	75.9
M/50.0	50012414	72	73	55	15.5	42.5	100.5	78
M/L/51.5	50012415	72	73	57.5	18	42.5	103	80.7
L/52.5	50012416	72.5	73	59.5	20	42.5	103.9	81.5
XL/55.5	50012417	72.5	72.5	61.5	22.5	42.5	105.3	83.4

*Seat angle is actual. **Top tube is measured from center of the headtube horizontally back to the top of the effective extension of the seat tube. ***Standover height is based on the largest size tire that will fit the bike, not necessarily the included size tire. Specifications subject to change.

FASTROAD SLR 2

ON-ROAD
SPORT
FITNESS



\$999

ALUXX SLR

D-Fuse

OVERDRIVE

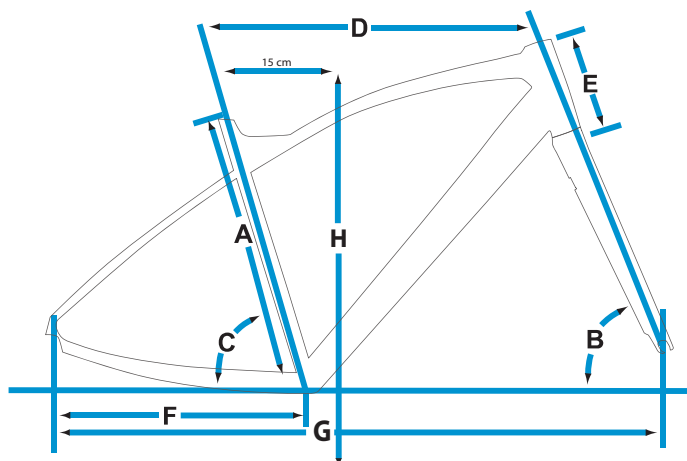
COMPACT ROAD



SPECIFICATIONS

FRAME	
SIZES	XS, S, M, M/L, L, XL
COLOURS	White/Blue/Red
FRAME	ALUXX SLR-Grade Aluminum
FORK	Advanced-Grade Composite, Alloy OverDrive Steerer
SHOCK	N/A
COMPONENTS	
HANDLEBAR	Connect XC Flat, 31.8
STEM	Giant Connect
SEATPOST	Giant D-Fuse
SADDLE	Giant Connect, Forward
PEDALS	N/A
DRIVETRAIN	
SHIFTERS	Shimano R440
FRONT DERAILLEUR	Shimano Sora
REAR DERAILLEUR	Shimano R350
BRAKES	Tektro MD-C400 Mechanical Disc
BRAKE LEVERS	Tektro CL330
CASSETTE	Shimano HG20, 11-32, 9-Speed
CHAIN	KMC X9
CRANKSET	FSA Omega, 30/39/50
BOTTOM BRACKET	FSA Press Fit
WHEELS	
RIMS	Giant S-R2, Alloy, Double Wall, Disc
HUBS	Giant Tracker Sport Road
SPOKES	Sapim
TIRES	Giant S-R3, 700x28, All-Condition
EXTRAS	

Bar Ends, RideSense



FRAME GEOMETRY

SIZE	PART NUMBER	HEAD ANGLE	SEAT ANGLE*	TOP TUBE**	HEAD TUBE	CHAINSTAY	WHEELBASE	STANDOVER HEIGHT***
A	B	C	D	E	F	G	H	
cm	White	deg	deg	cm	cm	cm	cm	cm
XS/43.5	50012512	71	73.5	53	10.5	42.5	99.7	73.8
S/46.0	50012513	71.5	73.5	53.5	13	42.5	99.9	75.9
M/50.0	50012514	72	73	55	15.5	42.5	100.5	78
M/L/51.5	50012515	72	73	57.5	18	42.5	103	80.7
L/52.5	50012516	72.5	73	59.5	20	42.5	103.9	81.5
XL/55.5	50012517	72.5	72.5	61.5	22.5	42.5	105.3	83.4

*Seat angle is actual. **Top tube is measured from center of the headtube horizontally back to the top of the effective extension of the seat tube. ***Standover height is based on the largest size tire that will fit the bike, not necessarily the included size tire. Specifications subject to change.

ESCAPE 0



\$829

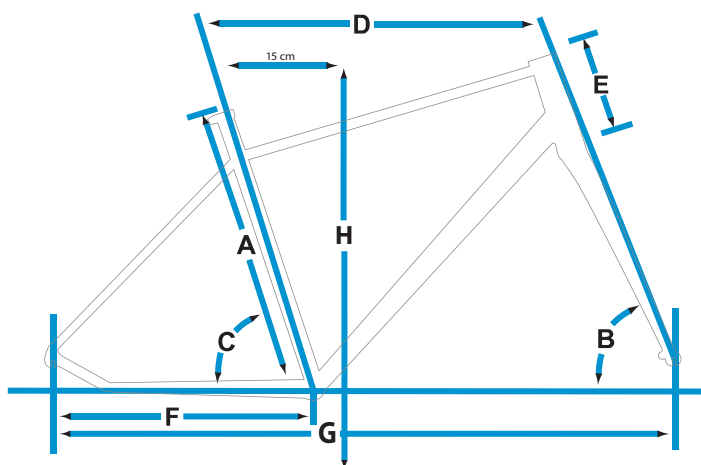
ALUXX
Aluminum Technology

COMPACT ROAD



SPECIFICATIONS

FRAME	
SIZES	XS, S, M, L, XL
COLOURS	Brushed Aluminum/White/Blue
FRAME	ALUXX-Grade Aluminum
FORK	Giant Composite, Alloy Steerer
SHOCK	N/A
COMPONENTS	
HANDLEBAR	Giant Connect Low Rise, 31.8
STEM	Giant Sport
SEATPOST	Giant Connect Composite, 27.2
SADDLE	Giant Connect, Upright
PEDALS	Giant Sport
DRIVETRAIN	
SHIFTERS	Shimano Deore
FRONT DERAILLEUR	Shimano Deore LX
REAR DERAILLEUR	Shimano Deore
BRAKES	Tektro TK837
BRAKE LEVERS	Tektro CL530
CASSETTE	Shimano HG62, 11-34, 10-Speed
CHAIN	KMC X10SL
CRANKSET	Shimano T551, 26/36/48
BOTTOM BRACKET	Shimano Cartridge
WHEELS	
RIMS	Giant S-R2, Alloy, Double Wall
HUBS	Giant Tracker Sport Road
SPOKES	Stainless
TIRES	Giant S-X2, 700x32, Puncture Protect



FRAME GEOMETRY

SIZE	PART NUMBER	HEAD ANGLE	SEAT ANGLE*	TOP TUBE**	HEAD TUBE	CHAINSTAY	WHEELBASE	STANDOVER HEIGHT***
A		B	C	D	E	F	G	H
in	Brushed	deg	deg	cm	cm	cm	cm	in
XS/15	50011322	70	74	56.5	13	45.5	107	28
S/17	50011323	70	73.5	57.2	13	45.5	108	28.6
M/19	50011324	71	73	58.4	14.5	45.5	109	29
L/21	50011326	71	73	59.7	17	45.5	109.7	30.8
XL/23	50011327	71	73	61	20.1	45.5	111.3	31.9

*Seat angle is actual. **Top tube is measured from center of the headtube horizontally back to the top of the effective extension of the seat tube. ***Standover height is based on the largest size tire that will fit the bike, not necessarily the included size tire. Specifications subject to change.

ESCAPE 1

ON-ROAD
SPORT
CITY



\$629

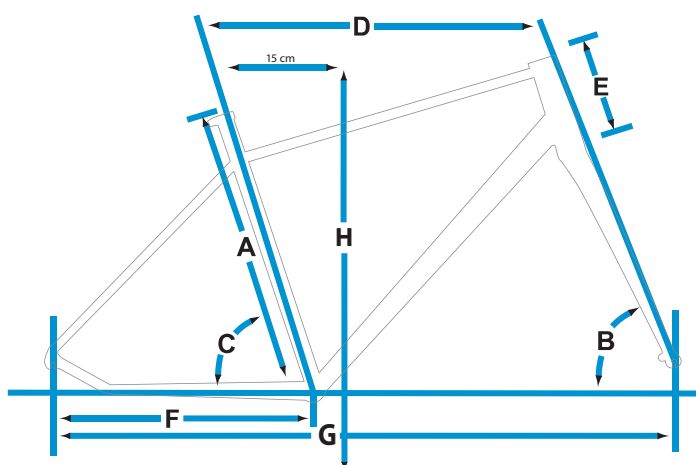
ALUXX
Aluminum technology

COMPACT ROAD



SPECIFICATIONS

FRAME	
SIZES	XS, S, M, L, XL
COLOURS	Titanium
FRAME	ALUXX-Grade Aluminum
FORK	Giant Composite, Alloy Steerer
SHOCK	N/A
COMPONENTS	
HANDLEBAR	Giant Connect Low Rise, 31.8
STEM	Giant Sport
SEATPOST	Giant Sport, 27.2
SADDLE	Giant Connect, Upright
PEDALS	Giant Sport
DRIVETRAIN	
SHIFTERS	Shimano Altus
FRONT DERAILLEUR	Shimano Altus
REAR DERAILLEUR	Shimano Alivio
BRAKES	Tektro TK837
BRAKE LEVERS	Tektro CL531
CASSETTE	Shimano HG30, 11-34, 9-Speed
CHAIN	KMC X9
CRANKSET	Shimano M391 26/36/48
BOTTOM BRACKET	Shimano Cartridge
WHEELS	
RIMS	Giant GX02, Alloy, Double Wall
HUBS	Alloy, 32h
SPOKES	Stainless
TIRES	Giant S-X2, 700x32, Puncture Protect



FRAME GEOMETRY

SIZE	PART NUMBER	HEAD ANGLE	SEAT ANGLE*	TOP TUBE**	HEAD TUBE	CHAINSTAY	WHEELBASE	STANDOVER HEIGHT***
A		B	C	D	E	F	G	H
in	Titanium	deg	deg	cm	cm	cm	cm	in
XS/15	50010812	70	74	56.5	13	45.5	107	28
S/17	50010813	70	73.5	57.2	13	45.5	108	28.6
M/19	50010814	71	73	58.4	14.5	45.5	109	29
L/21	50010816	71	73	59.7	17	45.5	109.7	30.8
XL/23	50010817	71	73	61	20.1	45.5	111.3	31.9

*Seat angle is actual. **Top tube is measured from center of the headtube horizontally back to the top of the effective extension of the seat tube. ***Standover height is based on the largest size tire that will fit the bike, not necessarily the included size tire. Specifications subject to change.

ESCAPE 2 CITY



\$599

ALUXX
Aluminum Technology

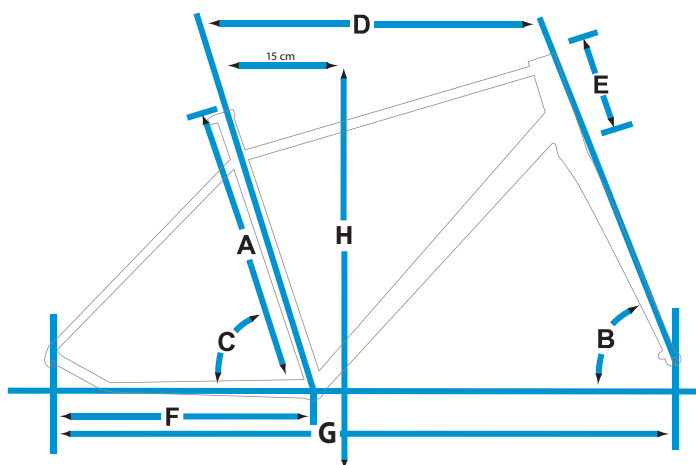
COMPACT ROAD



SPECIFICATIONS

FRAME	
SIZES	S, M, L, XL
COLOURS	Grey
FRAME	ALUXX-Grade Aluminum
FORK	ALUXX-Grade Aluminum (w/ Low-Rider Rack Mount)
SHOCK	N/A
COMPONENTS	
HANDLEBAR	Giant Connect Low Rise, 31.8
STEM	Giant Sport
SEATPOST	Giant Sport, 27.2
SADDLE	Giant Connect, Upright
PEDALS	Giant Sport
DRIVETRAIN	
SHIFTERS	SRAM Via
FRONT DERAILLEUR	SRAM Via
REAR DERAILLEUR	SRAM Via
BRAKES	Tektro TK837
BRAKE LEVERS	Tektro CL330
CASSETTE	SRAM PG830, 11-32, 8-Speed
CHAIN	KMC Z72
CRANKSET	SRAM Via, 28/38/48
BOTTOM BRACKET	Cartridge
WHEELS	
RIMS	Giant GX02, Alloy, Double Wall
HUBS	Alloy, 32h
SPOKES	Stainless
TIRES	Giant S-X3, 700x32
EXTRAS	

Giant Aluminum Light Trekking Carrier, Fenders, Kickstand



FRAME GEOMETRY

SIZE	PART NUMBER	HEAD ANGLE	SEAT ANGLE*	TOP TUBE**	HEAD TUBE	CHAINSTAY	WHEELBASE	STANDOVER HEIGHT***
A		B	C	D	E	F	G	H
in	Grey	deg	deg	cm	cm	cm	cm	in
S/17	50011013	70	73.5	57.2	13	45.5	108	28.6
M/19	50011014	71	73	58.4	14.5	45.5	109	29
L/21	50011016	71	73	59.7	17	45.5	109.7	30.8
XL/23	50011017	71	73	61	20.1	45.5	111.3	31.9

*Seat angle is actual. **Top tube is measured from center of the headtube horizontally back to the top of the effective extension of the seat tube. ***Standover height is based on the largest size tire that will fit the bike, not necessarily the included size tire. Specifications subject to change.

ESCAPE 2

ON-ROAD
SPORT
CITY



\$499

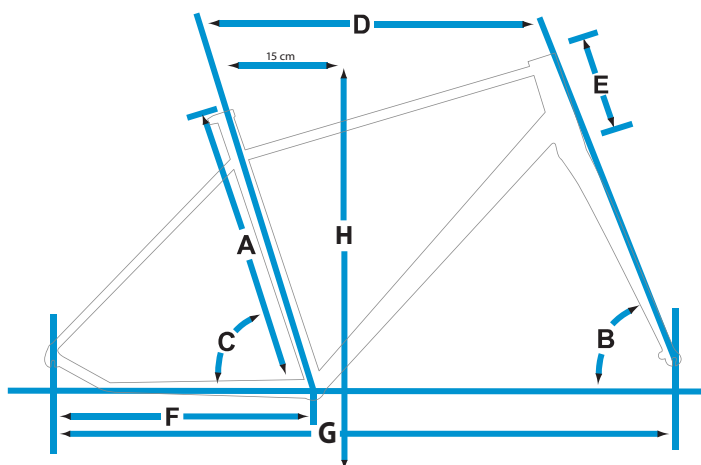
ALUXX
Aluminum Technology

COMPACT ROAD



SPECIFICATIONS

FRAME	
SIZES	XS, S, M, L, XL
COLOURS	Metallic Blue/Orange, Black/Silver/Blue
FRAME	ALUXX-Grade Aluminum
FORK	ALUXX-Grade Aluminum
SHOCK	N/A
COMPONENTS	
HANDLEBAR	Giant Connect Low Rise, 31.8
STEM	Giant Sport
SEATPOST	Giant Sport, 27.2
SADDLE	Giant Connect, Upright
PEDALS	Giant Sport
DRIVETRAIN	
SHIFTERS	Shimano M310
FRONT DERAILLEUR	Shimano M191
REAR DERAILLEUR	Shimano Altus
BRAKES	Tektro TK837
BRAKE LEVERS	Tektro CL530-RS
CASSETTE	SRAM PG830, 11-32, 8-Speed
CHAIN	KMC Z72
CRANKSET	SR Suntour NEX-T208, 28/38/48
BOTTOM BRACKET	Cartridge
WHEELS	
RIMS	Giant GX02, Alloy, Double Wall
HUBS	Alloy, 32h
SPOKES	Stainless
TIRES	Giant S-X3, 700x32



FRAME GEOMETRY

SIZE	PART NUMBER	PART NUMBER	HEAD ANGLE	SEAT ANGLE*	TOP TUBE**	HEAD TUBE	CHAINSTAY	WHEEL-BASE	STANDOVER HEIGHT***
A			B	C	D	E	F	G	H
in	<i>Metallic Blue</i>	<i>Black</i>	deg	deg	cm	cm	cm	cm	in
XS/15	50010922	50010912	70	74	56.5	13	45.5	107	28
S/17	50010923	50010913	70	73.5	57.2	13	45.5	108	28.6
M/19	50010924	50010914	71	73	58.4	14.5	45.5	109	29
L/21	50010926	50010916	71	73	59.7	17	45.5	109.7	30.8
XL/23	50010927	50010917	71	73	61	20.1	45.5	111.3	31.9

*Seat angle is actual. **Top tube is measured from center of the headtube horizontally back to the top of the effective extension of the seat tube. ***Standover height is based on the largest size tire that will fit the bike, not necessarily the included size tire. Specifications subject to change.

ESCAPE 3

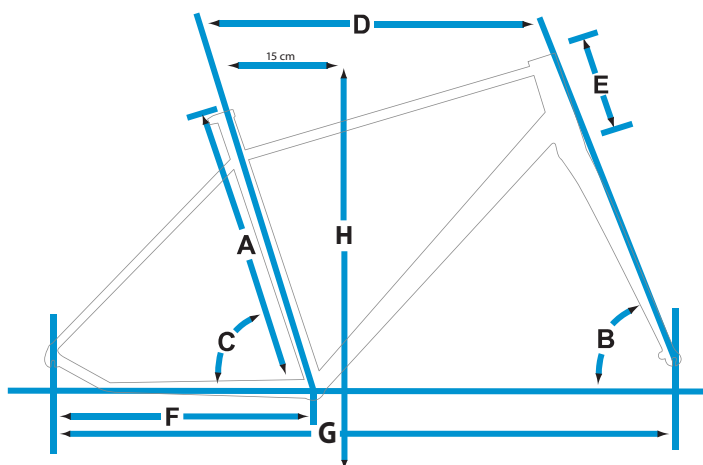


\$419



SPECIFICATIONS

FRAME	
SIZES	XS, S, M, L, XL
COLOURS	Charcoal, Metallic Blue/White/Green
FRAME	ALUXX-Grade Aluminum
FORK	High Tensile Chromoly Steel
SHOCK	N/A
COMPONENTS	
HANDLEBAR	Giant Sport, 25.4
STEM	Giant Sport
SEATPOST	Giant Sport, 27.2
SADDLE	Giant Connect, Upright
PEDALS	Giant Sport
DRIVETRAIN	
SHIFTERS	Shimano EF40
FRONT DERAILLEUR	Shimano Tourney
REAR DERAILLEUR	Shimano Tourney
BRAKES	Tektro TK837
BRAKE LEVERS	Shimano EF51
CASSETTE	Shimano TZ31, 14-34, 7-Speed
CHAIN	KMC Z51
CRANKSET	Shimano M131, 28/38/48
BOTTOM BRACKET	Shimano Cartridge
WHEELS	
RIMS	Giant GX02, Alloy, Double Wall
HUBS	Alloy, 32h
SPOKES	Stainless
TIRES	Giant S-X3, 700x33



FRAME GEOMETRY

SIZE	PART NUMBER	PART NUMBER	HEAD ANGLE	SEAT ANGLE*	TOP TUBE**	HEAD TUBE	CHAINSTAY	WHEELBASE	STANDOVER HEIGHT***
A			B	C	D	E	F	G	H
in	Charcoal	Metallic Blue	deg	deg	cm	cm	cm	cm	in
XS/15	50011112	50011122	70	74	56.5	13	45.5	107	28
S/17	50011113	50011123	70	73.5	57.2	13	45.5	108	28.6
M/19	50011114	50011124	71	73	58.4	14.5	45.5	109	29
L/21	50011116	50011126	71	73	59.7	17	45.5	109.7	30.8
XL/23	50011117	50011127	71	73	61	20.1	45.5	111.3	31.9

*Seat angle is actual. **Top tube is measured from center of the headtube horizontally back to the top of the effective extension of the seat tube. ***Standover height is based on the largest size tire that will fit the bike, not necessarily the included size tire. Specifications subject to change.

SEEK 1

ON-ROAD
SPORT
CITY



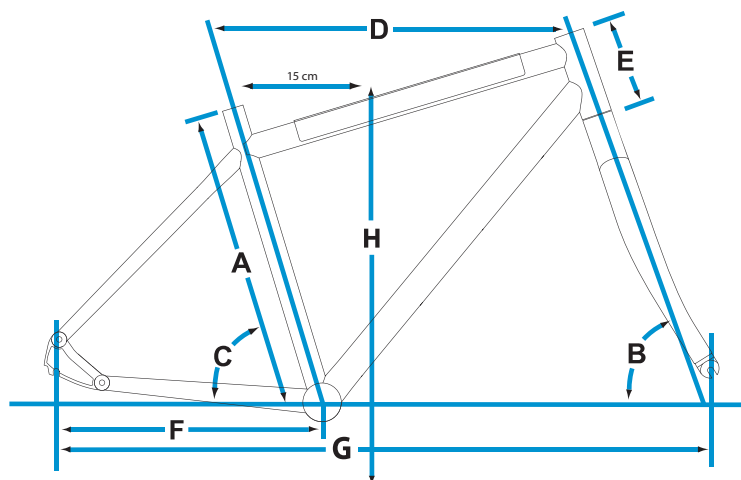
\$999

ALUXX
Aluminum Technology



SPECIFICATIONS

FRAME	
SIZES	S, M, L, XL
COLOURS	Aluminum/Black
FRAME	ALUXX-Grade Aluminum, Stainless TT Protector
FORK	ALUXX-Grade Aluminum
SHOCK	N/A
COMPONENTS	
HANDLEBAR	Giant City Sweep, 25.4
STEM	Giant Sport
SEATPOST	Giant Sport, 30.9
SADDLE	Giant Urban
PEDALS	Platform
DRIVETRAIN	
SHIFTERS	Alfine
FRONT DERAILLEUR	N/A
REAR DERAILLEUR	N/A
BRAKES	Shimano M395 Hydraulic Disc
BRAKE LEVERS	Shimano M396
CASSETTE	Shimano Alfine, 20, 8-Speed Internal
CHAIN	KMC Z51
CRANKSET	Shimano Alfine S501 Hollowtech II, 45
BOTTOM BRACKET	Shimano Cartridge
WHEELS	
RIMS	Giant CR06, Alloy, Double Wall
HUBS	[F] Alloy, [R] Shimano Alfine, 32h
SPOKES	Stainless
TIRES	Schwalbe Big Apple, 700x50



FRAME GEOMETRY

SIZE	PART NUMBER	HEAD ANGLE	SEAT ANGLE*	TOP TUBE**	HEAD TUBE	CHAINSTAY	WHEELBASE	STANDOVER HEIGHT***
A	B	C	D	E	F	G	H	
in	Aluminum	deg	deg	cm	cm	cm	cm	in
S/15.5	50011523	71	74	55.9	11.4	45.5	104.6	30.6
M/17.5	50011524	71	73	57.2	12.4	45.5	105.4	31.4
L/19.5	50011526	71	73	58.9	14	45.5	107.7	32.3
XL/21.5	50011527	71	73	61	16	45.5	109.7	33.3

*Seat angle is actual. **Top tube is measured from center of the headtube horizontally back to the top of the effective extension of the seat tube. ***Standover height is based on the largest size tire that will fit the bike, not necessarily the included size tire. Specifications subject to change.

SEEK 2



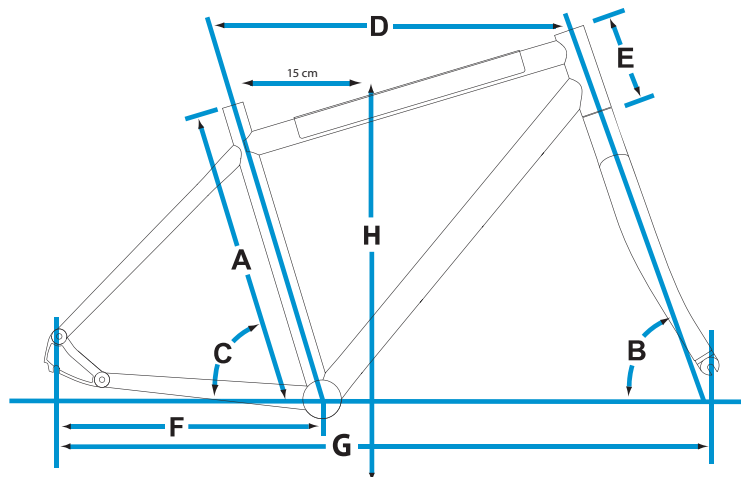
\$799

ALUXX
ALUMINUM TECHNOLOGY



SPECIFICATIONS

FRAME	
SIZES	S, M, L, XL
COLOURS	Dark Blue/White
FRAME	ALUXX-Grade Aluminum, Stainless TT Protector
FORK	ALUXX-Grade Aluminum
SHOCK	N/A
COMPONENTS	
HANDLEBAR	Giant City Sweep, 25.4
STEM	Giant Sport
SEATPOST	Giant Sport, 30.9
SADDLE	Giant Urban
PEDALS	Platform
DRIVETRAIN	
SHIFTERS	SRAM Via Centro
FRONT DERAILLEUR	SRAM Via Centro
REAR DERAILLEUR	SRAM Via Centro
BRAKES	Shimano M355 Hydraulic Disc
BRAKE LEVERS	Shimano M355
CASSETTE	SRAM PG1030, 11-36, 10-Speed
CHAIN	KMC X10
CRANKSET	SRAM Via Centro, 32/48
BOTTOM BRACKET	SRAM Power-Spline
WHEELS	
RIMS	Giant CR06, Alloy, Double Wall
HUBS	Alloy, 32h
SPOKES	Stainless
TIRES	Schwalbe Big Apple, 700x50



FRAME GEOMETRY

SIZE	PART NUMBER	HEAD ANGLE	SEAT ANGLE*	TOP TUBE**	HEAD TUBE	CHAINSTAY	WHEELBASE	STANDOVER HEIGHT***
A	B	C	D	E	F	G	H	
<i>in</i>	<i>Dark Blue</i>	<i>deg</i>	<i>deg</i>	<i>cm</i>	<i>cm</i>	<i>cm</i>	<i>cm</i>	<i>in</i>
S/15.5	50011623	71	74	55.9	11.4	45.5	104.6	30.6
M/17.5	50011624	71	73	57.2	12.4	45.5	105.4	31.4
L/19.5	50011626	71	73	58.9	14	45.5	107.7	32.3
XL/21.5	50011627	71	73	61	16	45.5	109.7	33.3

*Seat angle is actual. **Tuptube is measured from center of the headtube horizontally back to the top of the effective extension of the seattube. ***Standover height is based on the largest size tire that will fit the bike, not necessarily the included size tire. Specifications subject to change.

SEEK 3



\$599

ALUXX
Aluminum Technology



SPECIFICATIONS

FRAME

SIZES	S, M, L, XL
COLOURS	Black
FRAME	ALUXX-Grade Aluminum, Stainless TT Protector
FORK	ALUXX-Grade Aluminum
SHOCK	N/A

COMPONENTS

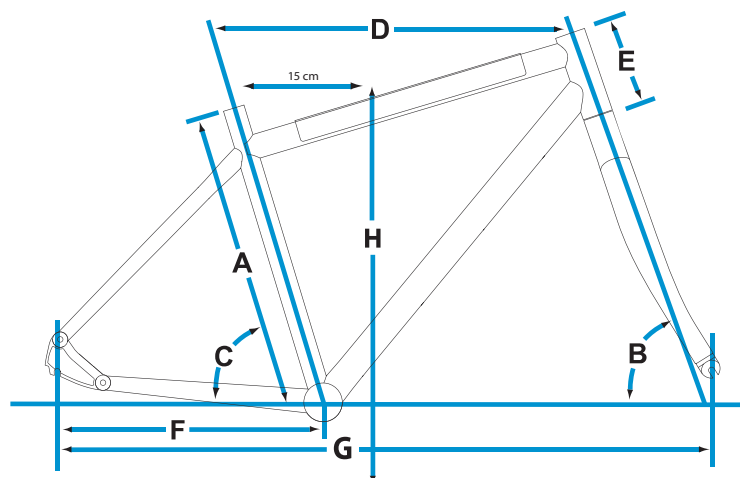
HANDLEBAR	Giant City Sweep, 25.4
STEM	Giant Sport
SEATPOST	Giant Sport, 30.9
SADDLE	Giant Urban
PEDALS	Platform

DRIVETRAIN

SHIFTERS	Shimano M310
FRONT DERAILLEUR	Shimano M191
REAR DERAILLEUR	Shimano M280
BRAKES	Tektro MD-M300 Mechanical Disc
BRAKE LEVERS	Tektro MD-M300
CASSETTE	Shimano HG-41, 11-32, 8-Speed
CHAIN	KMC Z7
CRANKSET	SR Suntour CW13- NEX, 28/38/48
BOTTOM BRACKET	Cartridge

WHEELS

RIMS	Giant CR06, Alloy, Double Wall
HUBS	Alloy, 32h
SPOKES	Stainless
TIRES	Schwalbe Big Apple, 700x50



FRAME GEOMETRY

SIZE	PART NUMBER	HEAD ANGLE	SEAT ANGLE*	TOP TUBE**	HEAD TUBE	CHAINSTAY	WHEELBASE	STANDOVER HEIGHT***
A	B	C	D	E	F	G	H	
in	Black	deg	deg	cm	cm	cm	cm	in
S/15.5	50011713	71	74	55.9	11.4	45.5	104.6	30.6
M/17.5	50011714	71	73	57.2	12.4	45.5	105.4	31.4
L/19.5	50011716	71	73	58.9	14	45.5	107.7	32.3
XL/21.5	50011717	71	73	61	16	45.5	109.7	33.3

*Seat angle is actual. **Top tube is measured from center of the headtube horizontally back to the top of the effective extension of the seat tube. ***Standover height is based on the largest size tire that will fit the bike, not necessarily the included size tire. Specifications subject to change.

EXPRESSWAY 1



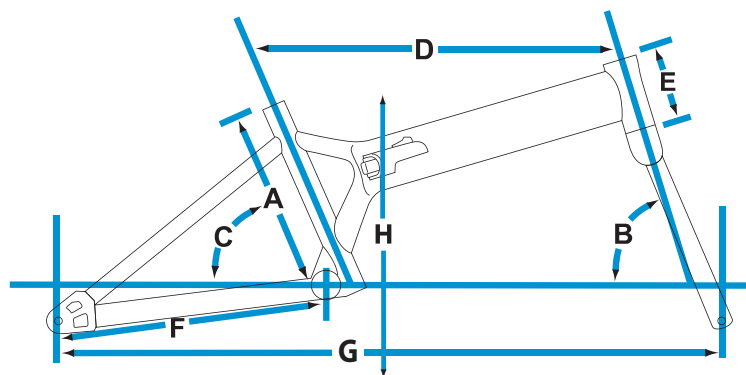
\$589



SPECIFICATIONS

FRAME	
SIZES	One Size
COLOURS	Dark Grey/Orange
FRAME	ALUXX-Grade Aluminum
FORK	High Tensile Chromoly Steel
SHOCK	N/A
COMPONENTS	
HANDLEBAR	Alloy Riser, 28.6
STEM	Alloy Folding
SEATPOST	Alloy, 30.9
SADDLE	Giant Comfort
PEDALS	Folding
DRIVETRAIN	
SHIFTERS	Shimano Acera
FRONT DERAILLEUR	N/A
REAR DERAILLEUR	Shimano Altus
BRAKES	Direct Pull
BRAKE LEVERS	Alloy, Direct Pull
CASSETTE	SRAM PG830, 11-30, 8-Speed
CHAIN	KMC Z72
CRANKSET	Alloy, 52
BOTTOM BRACKET	Cartridge
WHEELS	
RIMS	Alloy
HUBS	Alloy
SPOKES	Stainless
TIRES	Kenda Kwest, 20x1.5
EXTRAS	

Rear Carrier, Fenders, Kickstand, Carry Bag



FRAME GEOMETRY

SIZE	PART NUMBER	HEAD ANGLE	SEAT ANGLE*	TOP TUBE**	HEAD TUBE	CHAINSTAY	WHEELBASE	STANDOVER HEIGHT***
A		B	C	D	E	F	G	H
in	Grey	deg	deg	cm	cm	cm	cm	in
OSFM	50020910	71	72.5	55.4	13	40.4	101.4	21.5

*Seat angle is actual. **Tuptube is measured from center of the headtube horizontally back to the top of the effective extension of the seattube. ***Standover height is based on the largest size tire that will fit the bike, not necessarily the included size tire. Specifications subject to change.

EXPRESSWAY 2

ON-ROAD
LIFESTYLE
FOLDING



\$499

ALUXX
Aluminum Technology



SPECIFICATIONS

FRAME

SIZES	One Size
COLOURS	Matte/Gloss Black
FRAME	ALUXX-Grade Aluminum
FORK	High Tensile Chromoly Steel
SHOCK	N/A

COMPONENTS

HANDLEBAR	Alloy Riser, 28.6
STEM	Alloy Folding
SEATPOST	Alloy, 30.9
SADDLE	Giant Comfort
PEDALS	Folding

DRIVETRAIN

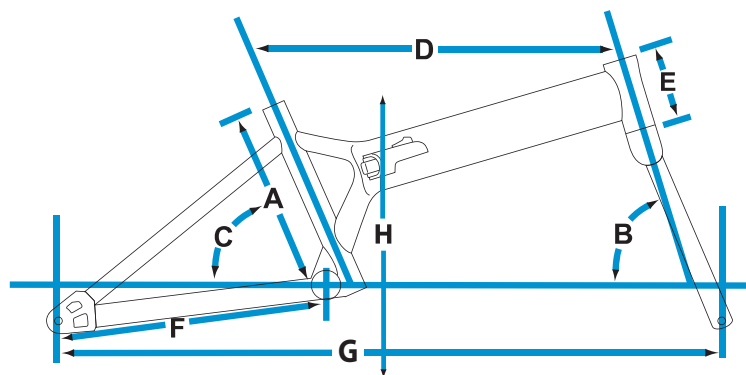
SHIFTERS	Shimano Tourney, Twist
FRONT DERAILLEUR	N/A
REAR DERAILLEUR	Shimano Tourney
BRAKES	Direct Pull
BRAKE LEVERS	Alloy, Direct Pull
CASSETTE	Shimano TZ21, 14-28, 7-Speed
CHAIN	KMC Z51
CRANKSET	Alloy, 52
BOTTOM BRACKET	Cartridge

WHEELS

RIMS	Alloy
HUBS	Alloy
SPOKES	Stainless
TIRES	Kenda Kwest, 20x1.5"

EXTRAS

Kickstand, Carry Bag



FRAME GEOMETRY

SIZE	PART NUMBER	HEAD ANGLE	SEAT ANGLE*	TOP TUBE**	HEAD TUBE	CHAINSTAY	WHEELBASE	STANDOVER HEIGHT***
A		B	C	D	E	F	G	H
in	Black	deg	deg	cm	cm	cm	cm	in
OSFM	50021020	71	72.5	55.4	13	40.4	101.4	21.5

*Seat angle is actual. **Top tube is measured from center of the headtube horizontally back to the top of the effective extension of the seat tube. ***Standover height is based on the largest size tire that will fit the bike, not necessarily the included size tire. Specifications subject to change.

VIA 1



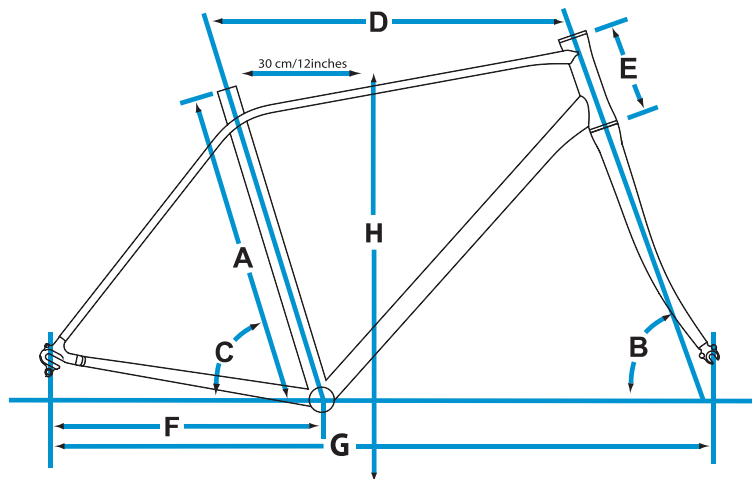
\$599



SPECIFICATIONS

FRAME	
SIZES	S, M, L, XL
COLOURS	Blue/Silver
FRAME	4130 Butted Chromoly
FORK	4130 Butted Chromoly
SHOCK	N/A
COMPONENTS	
HANDLEBAR	Alloy, Mid Rise, 25.4
STEM	Alloy Quill
SEATPOST	Alloy, 27.2
SADDLE	Giant Classic Rivet
PEDALS	Comfort Platform
DRIVETRAIN	
SHIFTERS	SRAM I-Motion 3, Twist
FRONT DERAILLEUR	N/A
REAR DERAILLEUR	N/A
BRAKES	Alloy, Dual Pivot
BRAKE LEVERS	Alloy Comfort
CASSETTE	SRAM 21, 3-Speed Internal
CHAIN	KMC Z410, Rustproof
CRANKSET	Alloy 3-Piece, 44
BOTTOM BRACKET	Cartridge
WHEELS	
RIMS	Giant GX02, Alloy, Double Wall
HUBS	[F] Alloy, [R] SRAM I-Motion 3-Speed internal, 32h
SPOKES	Stainless
TIRES	Giant S-R3, 700x32c, Anti-Puncture
EXTRAS	

Alloy Front Rack, Fenders, U-Lock Carrier, Chainguard, Kickstand



FRAME GEOMETRY

SIZE	PART NUMBER	HEAD ANGLE	SEAT ANGLE*	TOP TUBE**	HEAD TUBE	CHAINSTAY	WHEELBASE	STANDOVER HEIGHT***
A	B	C	D	E	F	G	H	
in	Blue/Silver	deg	deg	cm	cm	cm	cm	in
S/17	53128514	70	74	56.5	12.4	45.2	108.2	28.6
M/19	53128515	71	73	58.4	14	45.2	108.2	29
L/21	53128516	71	73	60.1	16	45.2	109.7	30.8
XL/23	53128517	71	73	61.5	17.5	45.2	111.3	31.9

*Seat angle is actual. **Tuptube is measured from center of the headtube horizontally back to the top of the effective extension of the seattube. ***Standover height is based on the largest size tire that will fit the bike, not necessarily the included size tire. Specifications subject to change.

CYPRESS DX

ON-ROAD
LIFESTYLE
COMFORT



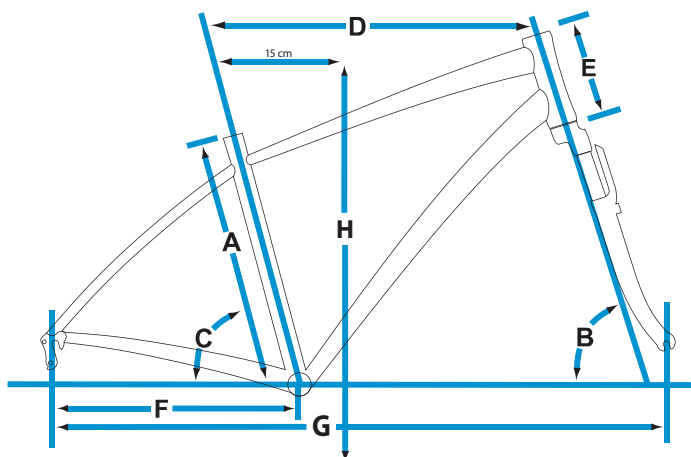
\$489

ALUXX
Aluminum Technology



SPECIFICATIONS

FRAME	
SIZES	XS, S, M, L, XL
COLOURS	Navy Blue, Black
FRAME	ALUXX-Grade Aluminum
FORK	SR Suntour NEX 4110, 63mm
SHOCK	N/A
COMPONENTS	
HANDLEBAR	Alloy, High Rise, 25.4
STEM	Alloy Adjustable Quill
SEATPOST	Alloy Suspension, 30.9
SADDLE	Giant Comfort Groove Plus, Men's
PEDALS	Comfort Platform
DRIVETRAIN	
SHIFTERS	Shimano EF51, Trigger
FRONT DERAILLEUR	Shimano M191
REAR DERAILLEUR	Shimano Altus
BRAKES	Alloy, Direct Pull
BRAKE LEVERS	Alloy Comfort
CASSETTE	Shimano HG31, 11-34, 8-Speed
CHAIN	KMC Z72
CRANKSET	Shimano M131, 28/38/48
BOTTOM BRACKET	Shimano Cartridge
WHEELS	
RIMS	Giant GX02, Alloy, Double Wall
HUBS	Alloy, 32h
SPOKES	Stainless
TIRES	Giant P-X3, 700x38, Multi-Surface



FRAME GEOMETRY

SIZE	PART NUMBER	PART NUMBER	HEAD ANGLE	SEAT ANGLE*	TOP TUBE**	HEAD TUBE	CHAINSTAY	WHEEL-BASE	STANDOVER HEIGHT***
A			B	C	D	E	F	G	H
in	Navy Blue	Black	deg	deg	cm	cm	cm	cm	in
XS/14	50020412	50020422	69.5	74	55	15	45.5	107.4	28.6
S/16	50020413	50020423	69.5	73.5	57	15	45.5	108.8	29.3
M/18	50020414	50020424	69.5	73.5	58.5	16.5	45.5	110.5	30.8
L/20	50020416	50020426	69.5	73.5	60	18.5	45.5	112.1	31.8
XL/22	50020417	50020427	69.5	73.5	61.5	20	45.5	113.7	32.8

*Seat angle is actual. **Top tube is measured from center of the headtube horizontally back to the top of the effective extension of the seat tube. ***Standover height is based on the largest size tire that will fit the bike, not necessarily the included size tire. Specifications subject to change.

CYPRESS



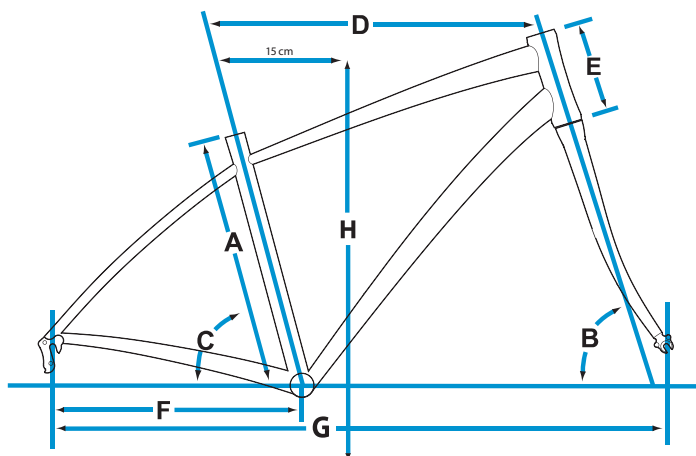
\$399

ALUXX
Aluminum Technology



SPECIFICATIONS

FRAME	
SIZES	XS, S, M, L, XL
COLOURS	Slate Blue
FRAME	ALUXX-Grade Aluminum
FORK	High Tensile Chromoly Steel
SHOCK	N/A
COMPONENTS	
HANDLEBAR	High-Tensile Steel, High Rise, 25.4
STEM	Quill, 40 Degree Rise
SEATPOST	Alloy Suspension, 30.9
SADDLE	Giant Comfort Groove Plus, Men's
PEDALS	Comfort Platform
DRIVETRAIN	
SHIFTERS	SRAM MRX Index, Twist
FRONT DERAILLEUR	Shimano M191
REAR DERAILLEUR	Shimano Tourney
BRAKES	Alloy, Direct Pull
BRAKE LEVERS	Alloy
CASSETTE	Shimano TZ31, 14-34, 7-Speed
CHAIN	KMC Z51
CRANKSET	SR Suntour XCC, 28/38/48
BOTTOM BRACKET	Cartridge
WHEELS	
RIMS	Giant CH-17, Alloy, Double Wall
HUBS	Alloy, 36h
SPOKES	Stainless
TIRES	Kenda, 700x38, Multi-Surface



FRAME GEOMETRY

SIZE	PART NUMBER	HEAD ANGLE	SEAT ANGLE*	TOP TUBE**	HEAD TUBE	CHAINSTAY	WHEELBASE	STANDOVER HEIGHT***
A	B	C	D	E	F	G	H	
in	Dark Blue	deg	deg	cm	cm	cm	cm	in
XS/14	50020112	69.5	74	55	15	45.5	107.4	28.6
S/16	50020113	69.5	73.5	57	15	45.5	108.8	29.3
M/18	50020114	69.5	73.5	58.5	16.5	45.5	110.5	30.8
L/20	50020116	69.5	73.5	60	18.5	45.5	112.1	31.8
XL/22	50020117	69.5	73.5	61.5	20	45.5	113.7	32.8

*Seat angle is actual. **Top tube is measured from center of the headtube horizontally back to the top of the effective extension of the seat tube. ***Standover height is based on the largest size tire that will fit the bike, not necessarily the included size tire. Specifications subject to change.

SIMPLE THREE

ON-ROAD
LIFESTYLE
CRUISER



\$519

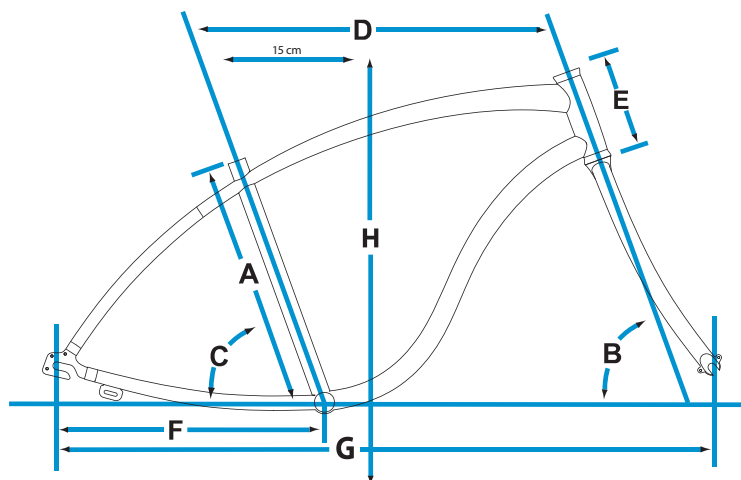
ALUXX
Aluminum Technology



SPECIFICATIONS

FRAME	
SIZES	One Size
COLOURS	Black, Olive
FRAME	ALUXX-Grade Aluminum
FORK	High Tensile Chromoly Steel
SHOCK	N/A
COMPONENTS	
HANDLEBAR	Steel Cruiser, 25.4
STEM	Alloy Quill
SEATPOST	Alloy, 27.2
SADDLE	Giant Comfort Groove, Men's
PEDALS	Comfort Platform
DRIVETRAIN	
SHIFTERS	Shimano Revo, Twist
FRONT DERAILLEUR	N/A
REAR DERAILLEUR	N/A
BRAKES	Shimano Coaster
BRAKE LEVERS	N/A
CASSETTE	Shimano 22, 3-Speed Internal
CHAIN	KMC Z410, Rustproof
CRANKSET	Giant Alloy 3-Piece, 44
BOTTOM BRACKET	Cartridge
WHEELS	
RIMS	Giant Alloy
HUBS	[F] Alloy, [R] Shimano Nexus, 3-Speed Internal, 36h
SPOKES	Stainless
TIRES	CST Cruiser, 26x2.125"
EXTRAS	

Rear Carrier, Fenders, Kickstand



FRAME GEOMETRY

SIZE	PART NUMBER	PART NUMBER	HEAD ANGLE	SEAT ANGLE*	TOP TUBE**	HEAD TUBE	CHAINSTAY	WHEEL-BASE	STANDOVER HEIGHT***
A			B	C	D	E	F	G	H
in	Black	Olive	deg	deg	cm	cm	cm	cm	in
OSFM	50021710	50021720	70	70	64.4	16.6	47.4	115.9	31.2

*Seat angle is actual. **Tuptube is measured from center of the headtube horizontally back to the top of the effective extension of the seattube. ***Standover height is based on the largest size tire that will fit the bike, not necessarily the included size tire. Specifications subject to change.

SIMPLE SINGLE

ON-ROAD
LIFESTYLE
CRUISER



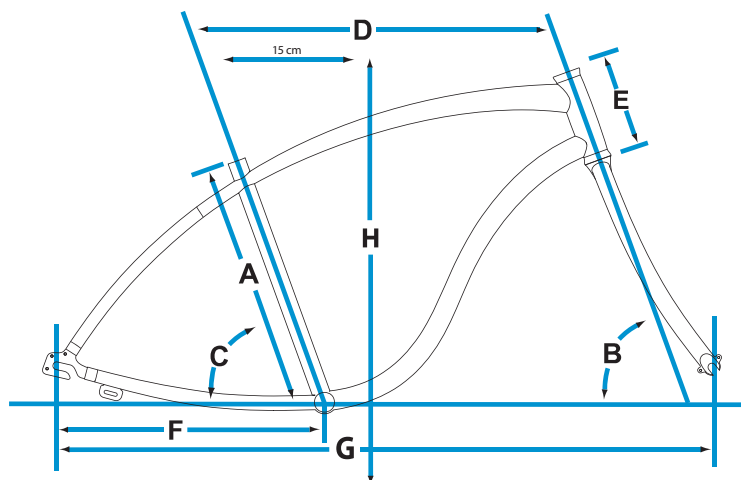
\$419

ALUXX
Aluminum Technology



SPECIFICATIONS

FRAME	
SIZES	One Size
COLOURS	Matte Blue/Orange, Black
FRAME	ALUXX-Grade Aluminum
FORK	High Tensile Chromoly Steel
SHOCK	N/A
COMPONENTS	
HANDLEBAR	Steel Cruiser, 25.4
STEM	Alloy Quill
SEATPOST	Alloy, 27.2
SADDLE	Giant Comfort Groove, Men's
PEDALS	Comfort Platform
DRIVETRAIN	
SHIFTERS	N/A
FRONT DERAILLEUR	N/A
REAR DERAILLEUR	N/A
BRAKES	Coaster
BRAKE LEVERS	N/A
CASSETTE	21
CHAIN	KMC Z410, Rustproof
CRANKSET	Giant Alloy 3-Piece, 46
BOTTOM BRACKET	Cartridge
WHEELS	
RIMS	Giant Alloy
HUBS	Alloy, 36h
SPOKES	Stainless
TIRES	CST Cruiser, 26x2.125"
EXTRAS	
Kickstand	



FRAME GEOMETRY

SIZE	PART NUMBER	PART NUMBER	HEAD ANGLE	SEAT ANGLE*	TOP TUBE**	HEAD TUBE	CHAINSTAY	WHEEL-BASE	STANDOVER HEIGHT***
A		B	C	D	E	F	G	H	
in	Blue	Black	deg	deg	cm	cm	cm	cm	in
OSFM	50021520	50021510	70	70	64.4	16.6	47.4	115.9	31.2

*Seat angle is actual. **Top tube is measured from center of the headtube horizontally back to the top of the effective extension of the seat tube. ***Standover height is based on the largest size tire that will fit the bike, not necessarily the included size tire. Specifications subject to change.

X-ROAD

X-Road is about adventure. It's about mixing things up on roads or dirt, adapting to changing conditions and terrain. From the intensity of cyclocross racing to long solo rides on quiet gravel roads, Giant creates X-Road bikes that know no limits.



I RIDE FOR SPEED, IN ALL CONDITIONS.

CYCLOCROSS

TCX Advanced Pro

TCX SLR

ENDURANCE

Revolt



I RIDE FOR ADVENTURE.

ADVENTURE

AnyRoad CoMax

AnyRoad

Roam



I RIDE FOR RECREATION.

COMFORT

Sedona





**CONQUER
ALL CONDITIONS.**



**CONQUER
ALL CONDITIONS.**

TCX ADVANCED PRO 0



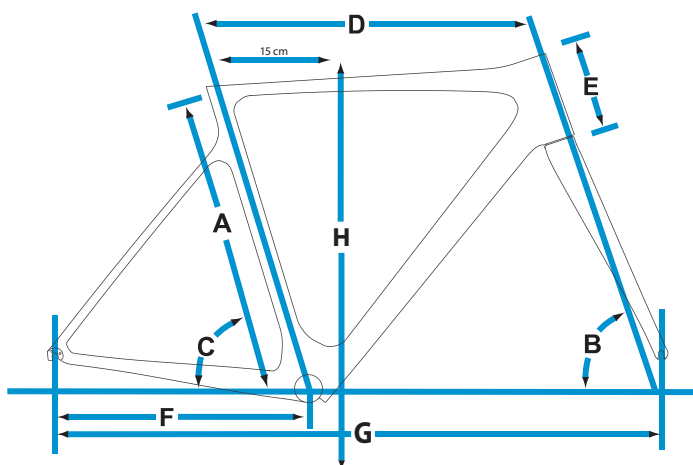
\$5,999



SPECIFICATIONS

FRAME	
SIZES	S, M, M/L, L
COLOURS	Composite/Blue/White
FRAME	Advanced-Grade Composite, Electronic-Ready
FORK	Pro-Spec, Advanced-Grade Composite, Full-Composite OverDrive 2 Steerer, 15mm Thru-Axle
SHOCK	N/A
COMPONENTS	
HANDLEBAR	Giant Contact SL, 31.8
STEM	Giant Contact SL
SEATPOST	Giant D-Fuse SL Composite
SADDLE	Fi'zi:k Antares w/ Kium Rails
PEDALS	N/A
DRIVETRAIN	
SHIFTERS	Shimano R785
FRONT DERAILLEUR	N/A
REAR DERAILLEUR	Shimano Dura-Ace Di2
BRAKES	Shimano R785 Hydraulic Disc, 140mm
BRAKE LEVERS	Shimano R785 Disc
CASSETTE	Shimano Dura-Ace, 12-28, 11-Speed
CHAIN	KMC X11SL
CRANKSET	Rotor 3D30, 40
BOTTOM BRACKET	Rotor 3DF, Press Fit
WHEELS	
RIMS	Giant P-CXR-0
HUBS	Giant P-CXR-0
SPOKES	Giant P-CXR-0
TIRES	Schwalbe Super Swan, 700x35, Evolution Triple Comp, Folding, Tubeless Ready
EXTRAS	

2 Sets of Water-Bottle Bolts, Giant 1X Chainguide



FRAME GEOMETRY

SIZE	PART NUMBER	HEAD ANGLE	SEAT ANGLE*	TOP TUBE**	HEADTUBE	CHAINSTAY	WHEELBASE	STANDOVER HEIGHT***
A	B	C	D	E	F	G	H	
cm	Comp/Blue	deg	deg	cm	cm	cm	cm	cm
S/50	50050313	71	73.5	53	13	43	101.4	75.8
M/52.5	50050314	71.5	73	54.5	14.5	43	101.9	80.3
M/L/54.5	50050315	72	73	56	16	43	103	82.1
L/55.5	50050316	72.5	73	57.5	17.5	43	104	83.2

*Seat angle is actual. **Tuptube is measured from center of the headtube horizontally back to the top of the effective extension of the seattube. ***Standover height is based on the largest size tire that will fit the bike, not necessarily the included size tire. Specifications subject to change.

TCX ADVANCED PRO 1

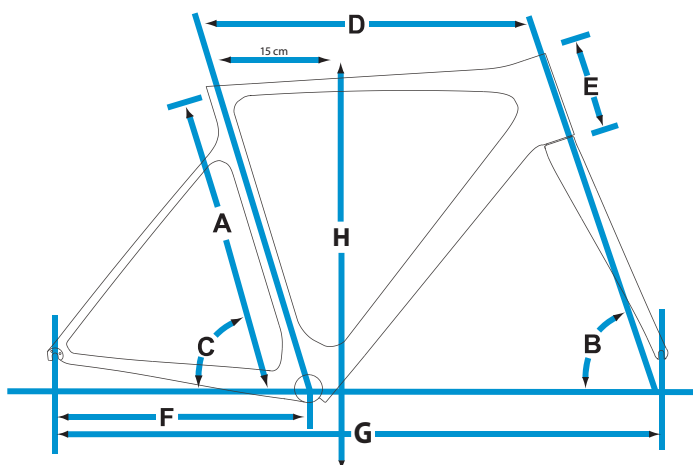


\$3,499



SPECIFICATIONS

FRAME	
SIZES	S, M, M/L, L
COLOURS	Matte Blue/Orange/Black
FRAME	Advanced-Grade Composite, Electronic-Ready
FORK	Pro-Spec, Advanced-Grade Composite, Full-Composite OverDrive 2 Steerer, 15mm Thru-Axle
SHOCK	N/A
COMPONENTS	
HANDLEBAR	Giant Contact, 31.8
STEM	Giant Contact
SEATPOST	Giant D-Fuse SL Composite
SADDLE	Fi'zik Antares w/ Kium Rails
PEDALS	N/A
DRIVETRAIN	
SHIFTERS	Shimano RS685
FRONT DERAILLEUR	Shimano Ultegra
REAR DERAILLEUR	Shimano Ultegra
BRAKES	Shimano RS685 Hydraulic Disc, 140mm
BRAKE LEVERS	Shimano RS685 Disc
CASSETTE	Shimano Ultegra, 11-28, 11-Speed
CHAIN	KMC X11SL
CRANKSET	Rotor 3DF, 36/46
BOTTOM BRACKET	Rotor 3DF, Press Fit
WHEELS	
RIMS	Giant P-CXR-1
HUBS	Giant P-CXR-1
SPOKES	Giant P-CXR-1
TIRES	Schwalbe Super Swan, 700x35, Evolution Triple Comp, Folding, Tubeless Ready
EXTRAS	
2 Sets of Water-Bottle Bolts	

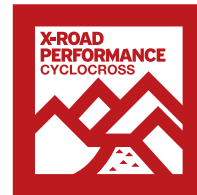


FRAME GEOMETRY

SIZE	PART NUMBER	HEAD ANGLE	SEAT ANGLE*	TOP TUBE**	HEADTUBE	CHAINSTAY	WHEELBASE	STANDOVER HEIGHT***
A	B	C	D	E	F	G	H	
cm	Blue	deg	deg	cm	cm	cm	cm	cm
S/50	50050413	71	73.5	53	13	43	101.4	75.8
M/52.5	50050414	71.5	73	54.5	14.5	43	101.9	80.3
M/L/54.5	50050415	72	73	56	16	43	103	82.1
L/55.5	50050416	72.5	73	57.5	17.5	43	104	83.2

*Seat angle is actual. **Tuptube is measured from center of the headtube horizontally back to the top of the effective extension of the seattube. ***Standover height is based on the largest size tire that will fit the bike, not necessarily the included size tire. Specifications subject to change.

TCX ADVANCED PRO 2



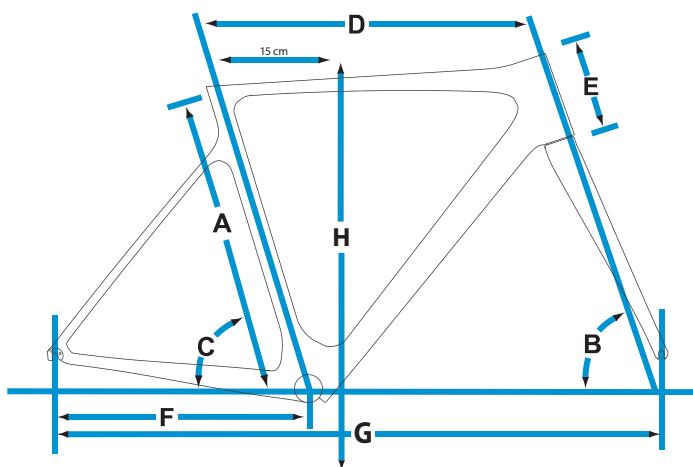
\$2,149



SPECIFICATIONS

FRAME	
SIZES	S, M, M/L, L, XL
COLOURS	Silver/Red/Blue
FRAME	Advanced-Grade Composite, Electronic-Ready
FORK	Pro-Spec, Advanced-Grade Composite, Full-Composite OverDrive 2 Steerer, 15mm Thru-Axle
SHOCK	N/A
COMPONENTS	
HANDLEBAR	Giant Contact, 31.8
STEM	Giant Contact
SEATPOST	Giant D-Fuse SL Composite
SADDLE	Giant Performance Road
PEDALS	N/A
DRIVETRAIN	
SHIFTERS	Shimano 105
FRONT DERAILLEUR	Shimano 105
REAR DERAILLEUR	Shimano 105
BRAKES	TRP Spyre Mechanical Disc, 160mm
BRAKE LEVERS	Shimano 105
CASSETTE	Shimano 105, 11-28, 11-Speed
CHAIN	KMC X11SL
CRANKSET	FSA Gossamer Cross, 36/46
BOTTOM BRACKET	FSA MegaExo, Press Fit
WHEELS	
RIMS	Giant S-X2
HUBS	Giant Tracker Sport, 15mm Thru Axle, 28h
SPOKES	Stainless
TIRES	Schwalbe Super Swan, 700x35, Performance Dual Comp, Folding
EXTRAS	

2 Sets of Water-Bottle Bolts



FRAME GEOMETRY

SIZE	PART NUMBER	HEAD ANGLE	SEAT ANGLE*	TOP TUBE**	HEADTUBE	CHAINSTAY	WHEELBASE	STANDOVER HEIGHT***
A		B	C	D	E	F	G	H
cm	Silver	deg	deg	cm	cm	cm	cm	cm
S/50	50050513	71	73.5	53	13	43	101.4	75.8
M/52.5	50050514	71.5	73	54.5	14.5	43	101.9	80.3
M/L/54.5	50050515	72	73	56	16	43	103	82.1
L/55.5	50050516	72.5	73	57.5	17.5	43	104	83.2
XL/56.5	50050517	72.5	73	59	19	43	105.5	84.3

*Seat angle is actual. **Top tube is measured from center of the headtube horizontally back to the top of the effective extension of the seat tube. ***Standover height is based on the largest size tire that will fit the bike, not necessarily the included size tire. Specifications subject to change.

TCX SLR 1



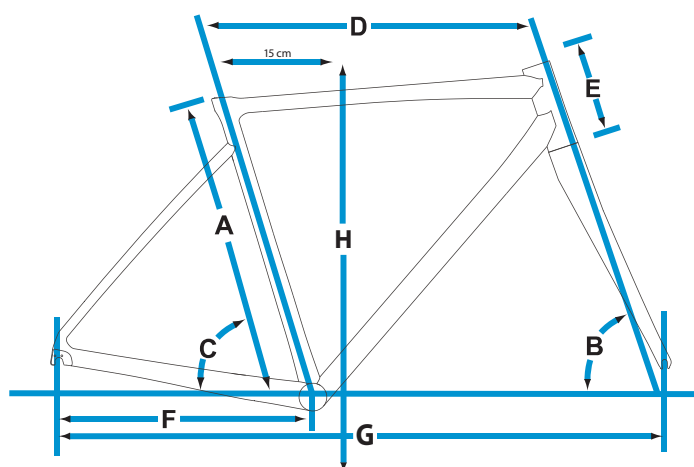
\$2,689



SPECIFICATIONS

FRAME	
SIZES	S, M, M/L, L, XL
COLOURS	White/Blue/Black
FRAME	ALUXX SLR-Grade Aluminum, Hidden Rack Mounts
FORK	Advanced-Grade Composite, Full-Composite OverDrive 2 Steerer, 15mm Thru-Axle
SHOCK	N/A
COMPONENTS	
HANDLEBAR	Giant Contact, 31.8
STEM	Giant Contact
SEATPOST	Giant D-Fuse SL Composite
SADDLE	Giant Performance Road
PEDALS	N/A
DRIVETRAIN	
SHIFTERS	Shimano RS685
FRONT DERAILLEUR	Shimano 105
REAR DERAILLEUR	Shimano 105
BRAKES	Shimano RS685 Hydraulic Disc, 140mm
BRAKE LEVERS	Shimano RS685 Disc
CASSETTE	Shimano Ultegra, 11-28, 11-Speed
CHAIN	KMC X11L
CRANKSET	FSA Gossamer Cross, 36/46
BOTTOM BRACKET	FSA MegaExo, Press Fit
WHEELS	
RIMS	Giant P-CXR-1
HUBS	Giant P-CXR-1
SPOKES	Giant P-CXR-1
TIRES	Schwalbe Super Swan, 700x35, Performance Dual Comp, Folding
EXTRAS	

2 Sets of Water-Bottle Bolts, Hidden Rack Mounts



FRAME GEOMETRY

SIZE	PART NUMBER	HEAD ANGLE	SEAT ANGLE*	TOP TUBE**	HEADTUBE	CHAINSTAY	WHEELBASE	STANDOVER HEIGHT***
A	B	C	D	E	F	G	H	
cm	White	deg	deg	cm	cm	cm	cm	cm
S/50	50050713	71	73.5	53	13	43	101.4	75.8
M/52.5	50050714	71.5	73	54.5	14.5	43	101.9	80.3
M/L/54.5	50050715	72	73	56	16	43	103	82.1
L/55.5	50050716	72.5	73	57.5	17.5	43	104	83.2
XL/56.5	50050717	72.5	73	59	19	43	105.5	84.3

*Seat angle is actual. **Top tube is measured from center of the headtube horizontally back to the top of the effective extension of the seat tube. ***Standover height is based on the largest size tire that will fit the bike, not necessarily the included size tire. Specifications subject to change.

TCX SLR 2



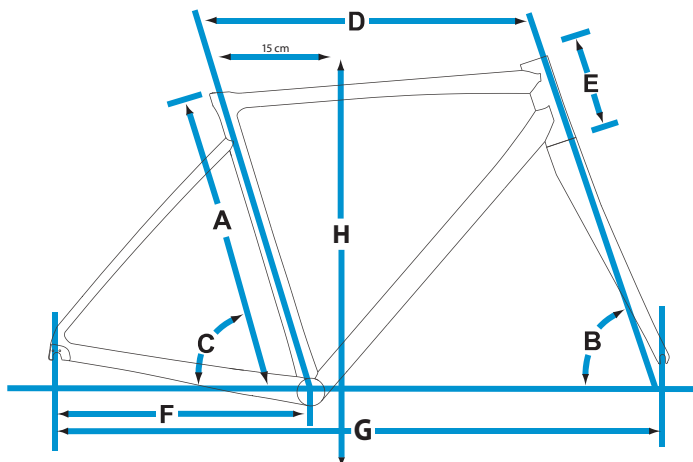
\$1,549



SPECIFICATIONS

FRAME	
SIZES	XS, S, M, M/L, L, XL
COLOURS	Matte Black/Red/White
FRAME	ALUXX SLR-Grade Aluminum, Hidden Rack Mounts
FORK	Advanced-Grade Composite, Alloy OverDrive Steerer
SHOCK	N/A
COMPONENTS	
HANDLEBAR	Giant Connect, 31.8
STEM	Giant Connect
SEATPOST	Giant D-Fuse SL Composite
SADDLE	Giant Performance Road
PEDALS	N/A
DRIVETRAIN	
SHIFTERS	Shimano 105
FRONT DERAILLEUR	Shimano 105
REAR DERAILLEUR	Shimano 105
BRAKES	TRP Spyre Mechanical Disc, 160mm
BRAKE LEVERS	Shimano 105
CASSETTE	Shimano 105, 11-28, 11-Speed
CHAIN	KMC X11L
CRANKSET	FSA Gossamer Cross, 36/46
BOTTOM BRACKET	FSA MegaExo, Press Fit
WHEELS	
RIMS	Giant S-X2
HUBS	Giant Tracker Sport, 32h
SPOKES	Stainless
TIRES	Schwalbe Super Swan, 700x35, Performance Dual Comp, Folding
EXTRAS	

2 Sets of Water-Bottle Bolts, Hidden Rack Mounts



FRAME GEOMETRY

SIZE	PART NUMBER	HEAD ANGLE	SEAT ANGLE*	TOP TUBE**	HEADTUBE	CHAINSTAY	WHEELBASE	STANDOVER HEIGHT***
A	B	C	D	E	F	G	H	
cm	Black	deg	deg	cm	cm	cm	cm	cm
XS/46.5	50050812	71	74.5	51.5	11.5	43	100.8	74.2
S/50	50050813	71	73.5	53	13	43	101.4	75.8
M/52.5	50050814	71.5	73	54.5	14.5	43	101.9	80.3
M/L/54.5	50050815	72	73	56	16	43	103	82.1
L/55.5	50050816	72.5	73	57.5	17.5	43	104	83.2
XL/56.5	50050817	72.5	73	59	19	43	105.5	84.3

*Seat angle is actual. **Top tube is measured from center of the headtube horizontally back to the top of the effective extension of the seat tube. ***Standover height is based on the largest size tire that will fit the bike, not necessarily the included size tire. Specifications subject to change.

REVOLT 0

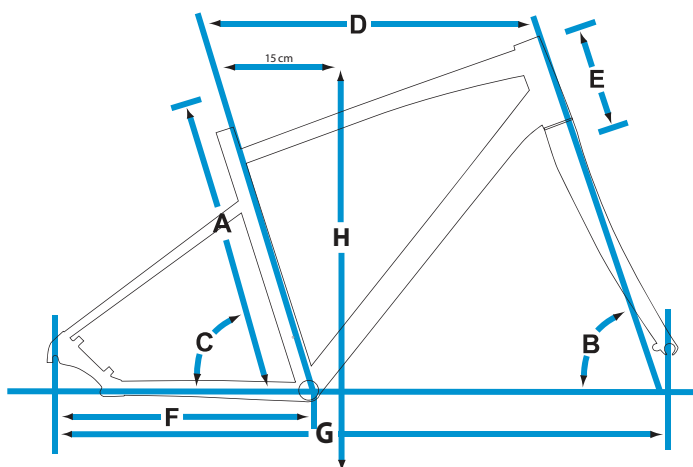


\$2,499



SPECIFICATIONS

FRAME	
SIZES	S, M, M/L, L
COLOURS	Matte/Gloss Blue
FRAME	ALUXX SL-Grade Aluminum
FORK	Advanced-Grade Composite, Alloy OverDrive Steerer
SHOCK	N/A
COMPONENTS	
HANDLEBAR	Giant Connect XR Ergo-Control, 31.8
STEM	Giant Connect
SEATPOST	Giant Connect Composite, 27.2
SADDLE	Giant Contact, Forward
PEDALS	N/A
DRIVETRAIN	
SHIFTERS	Shimano Ultegra
FRONT DERAILLEUR	Shimano Ultegra
REAR DERAILLEUR	Shimano Ultegra
BRAKES	TRP Spyre Mechanical Disc, 160mm
BRAKE LEVERS	Shimano Ultegra
CASSETTE	Shimano Ultegra, 11-32, 11-Speed
CHAIN	KMC X11SL
CRANKSET	FSA Energy MegaExo, 34/48
BOTTOM BRACKET	FSA Cartridge
WHEELS	
RIMS	Giant P-CXR-1
HUBS	Giant P-CXR-1
SPOKES	Giant P-CXR-1
TIRES	Schwalbe Smart Sam, 700x70, Performance Dual Comp, Folding
EXTRAS	
X-Defender Front Fender	



FRAME GEOMETRY

SIZE	PART NUMBER	HEAD ANGLE	SEAT ANGLE*	TOP TUBE**	HEADTUBE	CHAINSTAY	WHEELBASE	STANDOVER HEIGHT***
A	B	C	D	E	F	G	H	
in	Blue	deg	deg	cm	cm	cm	cm	cm
S/18	50053513	70	72	55.4	13	43.9	104.1	72.9
M/18.5	50053514	70.5	72	56.4	15	43.9	104.7	74.8
M/L/19	50053515	70.5	71.5	56.9	16.5	43.9	104.7	76.5
L/20	50053516	70.5	71	57.9	17.8	43.9	105.1	78

*Seat angle is actual. **Top tube is measured from center of the headtube horizontally back to the top of the effective extension of the seat tube. ***Standover height is based on the largest size tire that will fit the bike, not necessarily the included size tire. Specifications subject to change.

REVOLT 1



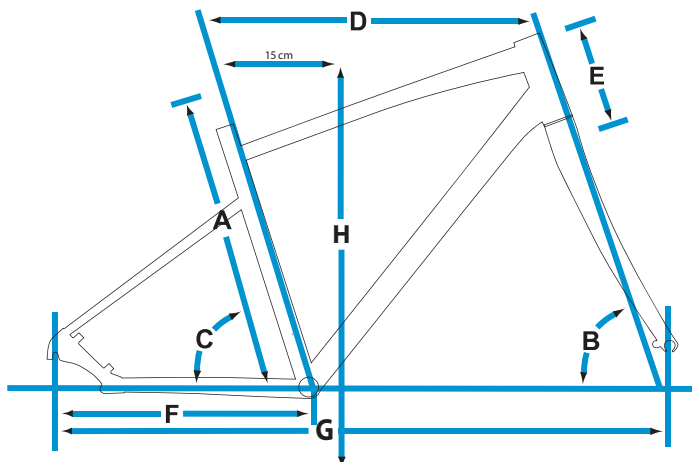
\$1,399



SPECIFICATIONS

FRAME	
SIZES	XS, S, M, M/L, L, XL
COLOURS	Matte/Gloss Black/Green
FRAME	ALUXX SL-Grade Aluminum
FORK	Advanced-Grade Composite, Alloy OverDrive Steerer
SHOCK	N/A
COMPONENTS	
HANDLEBAR	Giant Connect XR Ergo-Control, 31.8
STEM	Giant Connect
SEATPOST	Giant Connect Composite, 27.2
SADDLE	Giant Contact, Forward
PEDALS	N/A
DRIVETRAIN	
SHIFTERS	Shimano R460
FRONT DERAILLEUR	Shimano R460
REAR DERAILLEUR	Shimano R350
BRAKES	TRP Spyre Mechanical Disc, 160mm
BRAKE LEVERS	Shimano R460, w/ Tektro Top Mount Levers
CASSETTE	Shimano HG62, 11-34, 10-Speed
CHAIN	KMC X10
CRANKSET	Shimano R460, 34/48
BOTTOM BRACKET	Shimano Cartridge
WHEELS	
RIMS	Giant P-X2
HUBS	Giant Performance Tracker
SPOKES	Sapim Race
TIRES	Giant P-RX2, 700x35C, Puncture Protect
EXTRAS	

X-Defender Front Fender



FRAME GEOMETRY

SIZE	PART NUMBER	HEAD ANGLE	SEAT ANGLE*	TOP TUBE**	HEADTUBE	CHAINSTAY	WHEELBASE	STANDOVER HEIGHT***
A	B	C	D	E	F	G	H	
in	Black	deg	deg	cm	cm	cm	cm	cm
XS/17	50053612	70	72	54.9	11.5	43.9	103.6	71.1
S/18	50053613	70	72	55.4	13	43.9	104.1	72.9
M/18.5	50053614	70.5	72	56.4	15	43.9	104.7	74.8
M/L/19	50053615	70.5	71.5	56.9	16.5	43.9	104.7	76.5
L/20	50053616	70.5	71	57.9	17.8	43.9	105.1	78
XL/22	50053617	70.5	71	58.4	19.5	43.9	105.6	79.9

*Seat angle is actual. **Top tube is measured from center of the headtube horizontally back to the top of the effective extension of the seat tube. ***Standover height is based on the largest size tire that will fit the bike, not necessarily the included size tire. Specifications subject to change.

REVOLT 3



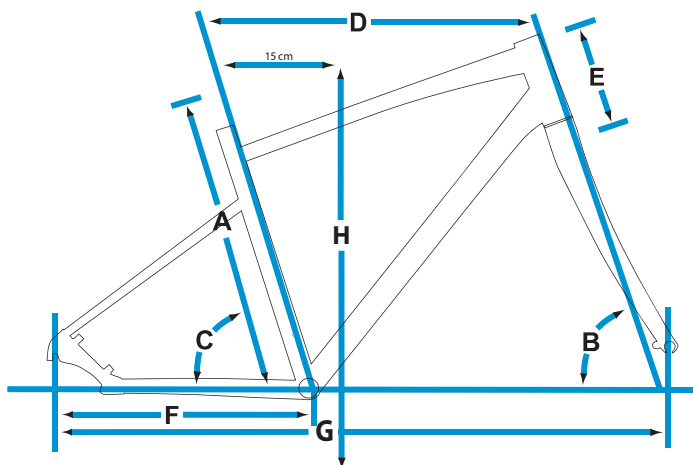
\$999



SPECIFICATIONS

FRAME	
SIZES	XS, S, M, M/L, L, XL
COLOURS	Charcoal/Silver/Orange
FRAME	ALUXX SL-Grade Aluminum
FORK	Advanced-Grade Composite, Alloy OverDrive Steerer
SHOCK	N/A
COMPONENTS	
HANDLEBAR	Giant Connect XR Ergo-Control, 31.8
STEM	Giant Connect
SEATPOST	Giant Connect, 27.2
SADDLE	Giant Contact, Forward
PEDALS	N/A
DRIVETRAIN	
SHIFTERS	Shimano Claris
FRONT DERAILLEUR	Shimano Claris
REAR DERAILLEUR	Shimano Claris
BRAKES	Tektro MD-C400 Mechanical Disc, 160mm
BRAKE LEVERS	Shimano Claris, w/ Tektro Top Mount Levers
CASSETTE	Shimano HG51, 11-32, 8-Speed
CHAIN	KMC Z8
CRANKSET	FSA Tempo, 30/39/50
BOTTOM BRACKET	Shimano Cartridge
WHEELS	
RIMS	Giant CR70, Alloy, Double Wall
HUBS	Alloy Disc, 32h
SPOKES	Stainless
TIRES	Giant P-RX2, 700x35C, Puncture Protect
EXTRAS	

X-Defender Front Fender



FRAME GEOMETRY

SIZE	PART NUMBER	HEAD ANGLE	SEAT ANGLE*	TOP TUBE**	HEADTUBE	CHAINSTAY	WHEELBASE	STANDOVER HEIGHT***
A		B	C	D	E	F	G	H
in	Charcoal	deg	deg	cm	cm	cm	cm	cm
XS/17	50053812	70	72	54.9	11.5	43.9	103.6	71.1
S/18	50053813	70	72	55.4	13	43.9	104.1	72.9
M/18.5	50053814	70.5	72	56.4	15	43.9	104.7	74.8
M/L/19	50053815	70.5	71.5	56.9	16.5	43.9	104.7	76.5
L/20	50053816	70.5	71	57.9	17.8	43.9	105.1	78
XL/22	50053817	70.5	71	58.4	19.5	43.9	105.6	79.9

*Seat angle is actual. **Top tube is measured from center of the headtube horizontally back to the top of the effective extension of the seat tube. ***Standover height is based on the largest size tire that will fit the bike, not necessarily the included size tire. Specifications subject to change.

ANYROAD COMAX

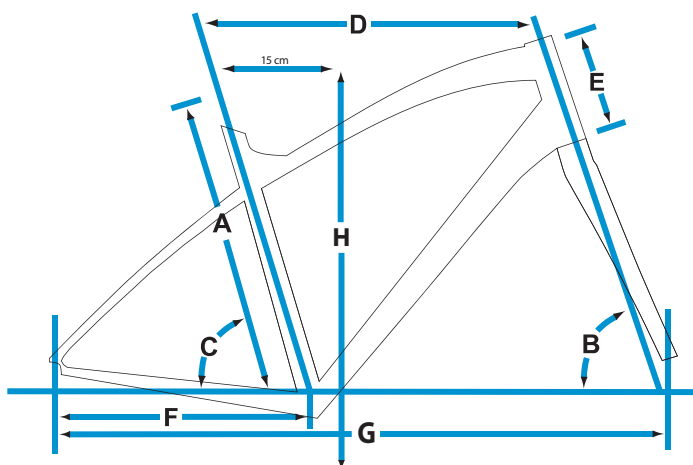


\$1,799



SPECIFICATIONS

FRAME	
SIZES	S, M, L, XL
COLOURS	Charcoal/Red/White
FRAME	CoMax Composite Technology
FORK	Advanced-Grade Composite, ALUXX Steerer
SHOCK	N/A
COMPONENTS	
HANDLEBAR	Giant Connect XR Ergo-Control, 31.8
STEM	Giant Connect
SEATPOST	Giant Connect Composite, 27.2
SADDLE	Giant Contact, Forward
PEDALS	Giant Sport
DRIVETRAIN	
SHIFTERS	Shimano 105
FRONT DERAILLEUR	Shimano 105
REAR DERAILLEUR	Shimano 105
BRAKES	SRAM BB7 Mechanical Disc, 140mm
BRAKE LEVERS	Giant Ergo-Control Sub Lever
CASSETTE	Shimano 105, 11-32, 11-Speed
CHAIN	KMC X11
CRANKSET	Shimano 105, 34/50
BOTTOM BRACKET	Shimano Press Fit
WHEELS	
RIMS	Giant P-X2, Alloy, Double Wall
HUBS	Alloy Disc, [F] 24h, [R] 28h
SPOKES	Sapim Race
TIRES	Giant P-SLX2, 700x32, Puncture Protect



FRAME GEOMETRY

SIZE	PART NUMBER	HEAD ANGLE	SEAT ANGLE*	TOP TUBE**	HEADTUBE	CHAINSTAY	WHEELBASE	STANDOVER HEIGHT***
A	B	C	D	E	F	G	H	
in	Charcoal	deg	deg	in	in	in	in	in
S/18	50051213	71	74	20.7	6.3	16.9	40	28.3
M/18.5	50051214	72	73.5	21.3	7.3	16.9	40	28.9
L/20.5	50051216	72	73	22.4	8.5	16.9	40.9	30.3
XL/22	50051217	72	73	23.2	9.3	16.9	41.8	31.3

*Seat angle is actual. **Top tube is measured from center of the headtube horizontally back to the top of the effective extension of the seat tube. ***Standover height is based on the largest size tire that will fit the bike, not necessarily the included size tire. Specifications subject to change.

ANYROAD 1



\$1,269

ALUXX
Aluminum Technology

COMPACT ROAD



SPECIFICATIONS

FRAME

SIZES	S, M, M/L, L, XL
COLOURS	Matte Dark Grey/Grey
FRAME	ALUXX-Grade Aluminum
FORK	Advanced-Grade Composite, ALUXX Steerer
SHOCK	N/A

COMPONENTS

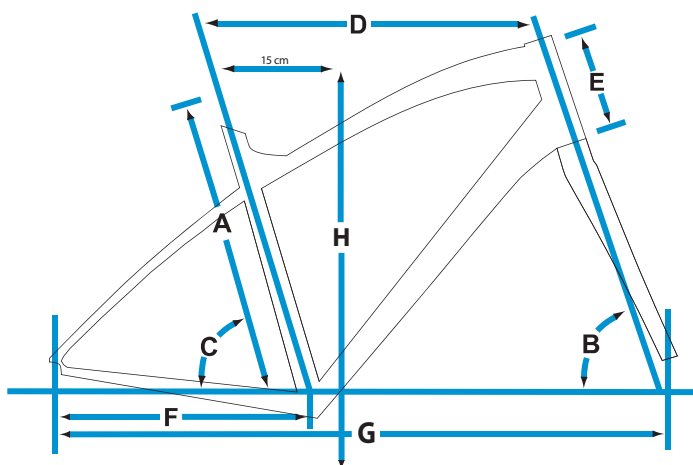
HANDLEBAR	Giant Connect XR Ergo-Control, 31.8
STEM	Giant Connect
SEATPOST	Giant Connect Composite, 30.9
SADDLE	Giant Contact, Forward
PEDALS	Giant Sport

DRIVETRAIN

SHIFTERS	Shimano R460
FRONT DERAILLEUR	Shimano R460
REAR DERAILLEUR	Shimano R350
BRAKES	SRAM BB5 Mechanical Disc, 140mm
BRAKE LEVERS	Giant Ergo-Control Sub Lever
CASSETTE	Shimano HG62, 11-34, 10-Speed
CHAIN	KMC X10
CRANKSET	Shimano R460, 34/48
BOTTOM BRACKET	Shimano Cartridge

WHEELS

RIMS	Giant S-X2, Alloy, Double Wall
HUBS	Alloy Disc, 32h
SPOKES	Stainless
TIRES	Giant P-RX2, 700x32, Puncture Protect



FRAME GEOMETRY

SIZE	PART NUMBER	HEAD ANGLE	SEAT ANGLE*	TOP TUBE**	HEADTUBE	CHAINSTAY	WHEELBASE	STANDOVER HEIGHT***
A		B	C	D	E	F	G	H
in	Black	deg	deg	in	in	in	in	in
S/18	50051023	71	74	20.7	6.3	16.9	40	28.3
M/18.5	50051024	72	73.5	21.3	7.3	16.9	40	28.9
M/L/20	50051025	72	73	21.7	7.9	16.9	40.2	29.9
L/20.5	50051026	72	73	22.4	8.5	16.9	40.9	30.3
XL/22	50051027	72	73	23.2	9.3	16.9	41.8	31.3

*Seat angle is actual. **Top tube is measured from center of the headtube horizontally back to the top of the effective extension of the seat tube. ***Standover height is based on the largest size tire that will fit the bike, not necessarily the included size tire. Specifications subject to change.

ROAM XR 1



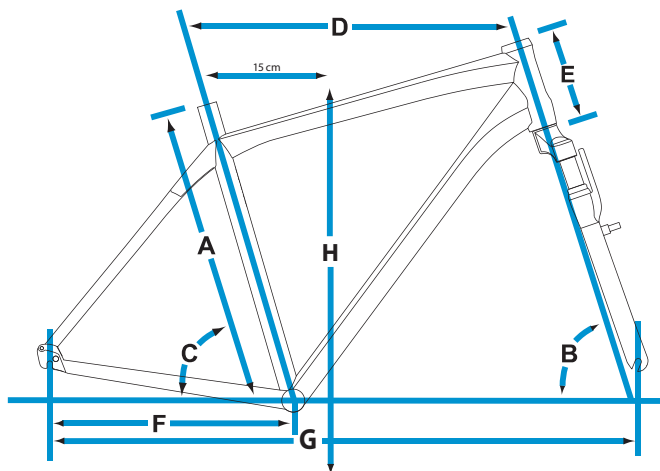
\$1,149

ALUXX SL



SPECIFICATIONS

FRAME	
SIZES	S, M, L, XL
COLOURS	Matte Black/Green/Grey
FRAME	ALUXX SL-Grade Aluminum
FORK	SR Suntour NCX-D RL, w/ Lock-Out, 63mm
SHOCK	N/A
COMPONENTS	
HANDLEBAR	Giant Connect XC, Low-Rise, 31.8
STEM	Giant Connect
SEATPOST	Giant Connect Composite, 30.9
SADDLE	Giant Contact, Upright
PEDALS	Giant Sport
DRIVETRAIN	
SHIFTERS	Shimano SLX
FRONT DERAILLEUR	Shimano Deore
REAR DERAILLEUR	Shimano XT
BRAKES	Shimano M447 Hydraulic Disc
BRAKE LEVERS	Shimano M445
CASSETTE	Shimano HG50, 11-36, 10-Speed
CHAIN	KMC X10
CRANKSET	Shimano T551, 26/36/48
BOTTOM BRACKET	Shimano Hollowtech II
WHEELS	
RIMS	Giant S-X2, Alloy, Double Wall
HUBS	Alloy Disc, 32h
SPOKES	Stainless
TIRES	Giant P-RX2, 700x35, Puncture Protect



FRAME GEOMETRY

SIZE	PART NUMBER	HEAD ANGLE	SEAT ANGLE*	TOP TUBE**	HEADTUBE	CHAINSTAY	WHEELBASE	STANDOVER HEIGHT***
A	B	C	D	E	F	G	H	
in	Black	deg	deg	in	in	in	in	in
S/17	50052114	71	74	21.7	4.5	17.9	42	30
M/19	50052115	71	73	22.4	4.9	17.9	42	30.9
L/21	50052116	71	73	23.2	5.5	17.9	43	32
XL/23	50052117	71	73	24	6.3	17.9	44	33.1

*Seat angle is actual. **Tuptube is measured from center of the headtube horizontally back to the top of the effective extension of the seattube. ***Standover height is based on the largest size tire that will fit the bike, not necessarily the included size tire. Specifications subject to change.

ROAM 0



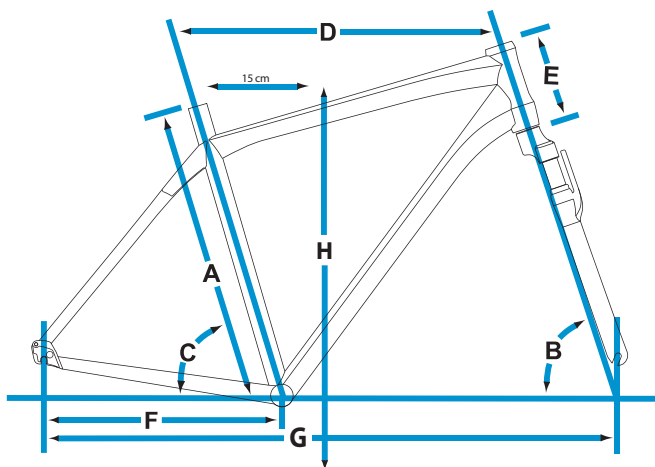
\$949

ALUXX
Aluminum technology



SPECIFICATIONS

FRAME	
SIZES	XS, S, M, L, XL
COLOURS	Aluminum/Blue/Black
FRAME	ALUXX-Grade Aluminum
FORK	SR Suntour NCX-D LO, w/ Lock-Out, 63mm
SHOCK	N/A
COMPONENTS	
HANDLEBAR	Giant Connect XC, Low-Rise, 31.8
STEM	Giant Sport
SEATPOST	Giant Connect Composite, 30.9
SADDLE	Giant Connect, Upright
PEDALS	Giant Sport
DRIVETRAIN	
SHIFTERS	Shimano Deore
FRONT DERAILLEUR	Shimano Deore
REAR DERAILLEUR	Shimano Deore
BRAKES	Shimano M395 Hydraulic Disc
BRAKE LEVERS	Shimano M396
CASSETTE	Shimano HG50, 11-36, 10-Speed
CHAIN	KMC X10
CRANKSET	Shimano T521, 26/36/48
BOTTOM BRACKET	Shimano Octalink
WHEELS	
RIMS	Giant S-X2, Alloy, Double Wall
HUBS	Giant Tracker Sport, 32h
SPOKES	Stainless
TIRES	Giant P-RX2, 700x40, Puncture Protect



FRAME GEOMETRY

SIZE	PART NUMBER	HEAD ANGLE	SEAT ANGLE*	TOP TUBE**	HEADTUBE	CHAINSTAY	WHEELBASE	STANDOVER HEIGHT***
A		B	C	D	E	F	G	H
in	Aluminum	deg	deg	in	in	in	in	in
XS/15	50051613	71	75	20.9	4.5	17.9	41	29.8
S/17	50051614	71	74	21.7	4.5	17.9	42	30
M/19	50051615	71	73	22.4	4.9	17.9	42	30.9
L/21	50051616	71	73	23.2	5.5	17.9	43	32
XL/23	50051617	71	73	24	6.3	17.9	44	33.1

*Seat angle is actual. **Top tube is measured from center of the headtube horizontally back to the top of the effective extension of the seat tube. ***Standover height is based on the largest size tire that will fit the bike, not necessarily the included size tire. Specifications subject to change.

ROAM 1



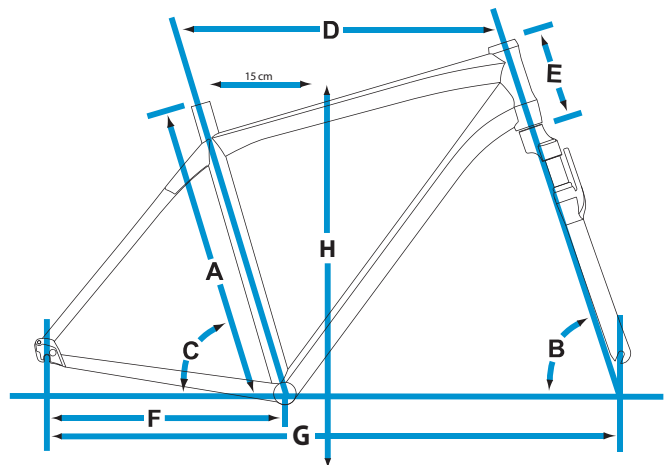
\$799

ALUXX
Aluminum Technology



SPECIFICATIONS

FRAME	
SIZES	S, M, L, XL
COLOURS	Charcoal/Red/White
FRAME	ALUXX-Grade Aluminum
FORK	SR Suntour NEX HLO, w/ Lock-Out, 63mm
SHOCK	N/A
COMPONENTS	
HANDLEBAR	Giant Connect XC, Low-Rise, 31.8
STEM	Giant Sport
SEATPOST	Giant Sport, 30.9
SADDLE	Giant Connect, Upright
PEDALS	Giant Sport
DRIVETRAIN	
SHIFTERS	Shimano Deore
FRONT DERAILLEUR	Shimano Deore
REAR DERAILLEUR	Shimano Deore
BRAKES	Shimano M355 Hydraulic Disc
BRAKE LEVERS	Shimano M355
CASSETTE	Shimano HG50, 11-36, 10-Speed
CHAIN	KMC X10
CRANKSET	Shimano T521, 26/36/48
BOTTOM BRACKET	Shimano Octalink
WHEELS	
RIMS	Giant CR70, Alloy, Double Wall
HUBS	Alloy Disc, 32h
SPOKES	Stainless
TIRES	Giant S-RX4, 700x40



FRAME GEOMETRY

SIZE	PART NUMBER	HEAD ANGLE	SEAT ANGLE*	TOP TUBE**	HEADTUBE	CHAINSTAY	WHEELBASE	STANDOVER HEIGHT***
A		B	C	D	E	F	G	H
in	Charcoal	deg	deg	in	in	in	in	in
S/17	50051714	71	74	21.7	4.5	17.9	42	30
M/19	50051715	71	73	22.4	4.9	17.9	42	30.9
L/21	50051716	71	73	23.2	5.5	17.9	43	32
XL/23	50051717	71	73	24	6.3	17.9	44	33.1

*Seat angle is actual. **Top tube is measured from center of the headtube horizontally back to the top of the effective extension of the seat tube. ***Standover height is based on the largest size tire that will fit the bike, not necessarily the included size tire. Specifications subject to change.

ROAM 2



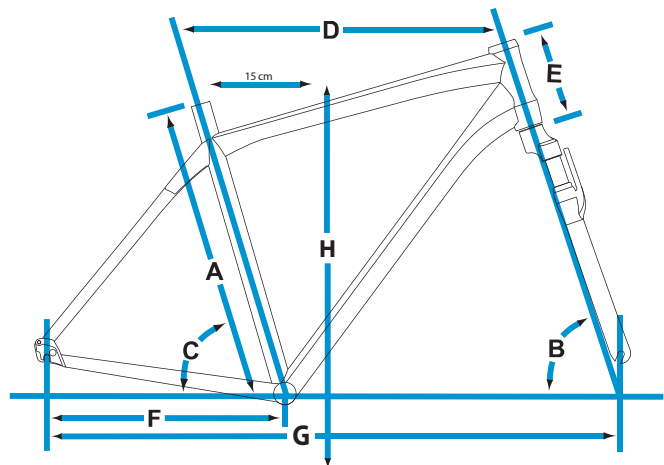
\$669

ALUXX
Aluminum technology



SPECIFICATIONS

FRAME	
SIZES	XS, S, M, L, XL
COLOURS	Charcoal/Green/White, Blue/White
FRAME	ALUXX-Grade Aluminum
FORK	SR Suntour NEX HLO, w/ Lock-Out, 63mm
SHOCK	N/A
COMPONENTS	
HANDLEBAR	Giant Connect XC, Low-Rise, 31.8
STEM	Giant Sport
SEATPOST	Giant Sport, 30.9
SADDLE	Giant Connect, Upright
PEDALS	Giant Sport
DRIVETRAIN	
SHIFTERS	Shimano Altus
FRONT DERAILLEUR	Shimano Acera
REAR DERAILLEUR	Shimano Acera
BRAKES	Tektro HDM-290 Hydraulic Disc
BRAKE LEVERS	Tektro HDM-290
CASSETTE	Shimano HG20, 11-34, 9-Speed
CHAIN	KMC X9
CRANKSET	Shimano M371, 26/36/48
BOTTOM BRACKET	Shimano Cartridge
WHEELS	
RIMS	Giant CR70, Alloy, Double Wall
HUBS	Alloy Disc, 32h
SPOKES	Stainless
TIRES	Giant S-RX4, 700x40



FRAME GEOMETRY

SIZE	PART NUMBER	PART NUMBER	HEAD ANGLE	SEAT ANGLE*	TOP TUBE**	HEAD-TUBE	CHAINSTAY	WHEEL-BASE	STANDOVER HEIGHT***
A			B	C	D	E	F	G	H
in	Charcoal	Blue	deg	deg	in	in	in	in	in
XS/15	50051813	50051823	71	75	20.9	4.5	17.9	41	29.8
S/17	50051814	50051824	71	74	21.7	4.5	17.9	42	30
M/19	50051815	50051825	71	73	22.4	4.9	17.9	42	30.9
L/21	50051816	50051826	71	73	23.2	5.5	17.9	43	32
XL/23	50051817	50051827	71	73	24	6.3	17.9	44	33.1

*Seat angle is actual. **Top tube is measured from center of the headtube horizontally back to the top of the effective extension of the seat tube. ***Standover height is based on the largest size tire that will fit the bike, not necessarily the included size tire. Specifications subject to change.

ROAM 3



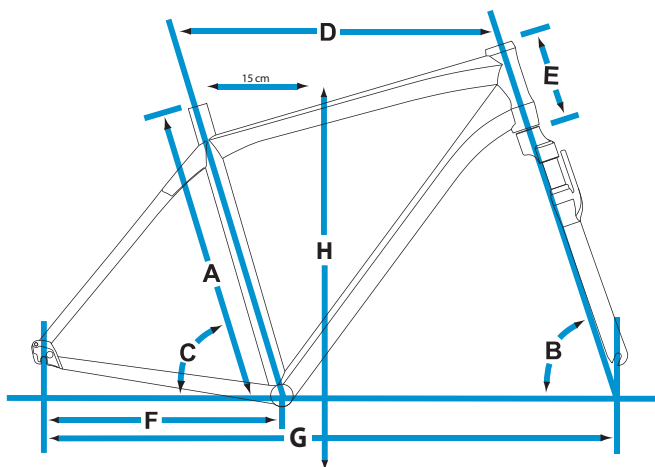
\$499

ALUXX
Aluminum technology



SPECIFICATIONS

FRAME	
SIZES	XS, S, M, L, XL
COLOURS	Black/Grey, Matte Red/Grey
FRAME	ALUXX-Grade Aluminum
FORK	SR Suntour NEX HLO, w/ Lock-Out, 63mm
SHOCK	N/A
COMPONENTS	
HANDLEBAR	Giant Sport, Low Rise, 31.8
STEM	Giant Sport
SEATPOST	Giant Sport, 30.9
SADDLE	Giant Connect, Upright
PEDALS	Giant Sport
DRIVETRAIN	
SHIFTERS	Shimano EF51
FRONT DERAILLEUR	Shimano M191
REAR DERAILLEUR	Shimano Acera
BRAKES	Alloy Linear Pull
BRAKE LEVERS	Shimano EF51
CASSETTE	Shimano HG31, 11-34, 8-Speed
CHAIN	KMC Z8
CRANKSET	SR Suntour XCT, 28/38/48
BOTTOM BRACKET	Cartridge
WHEELS	
RIMS	Giant GX02, Alloy, Double Wall
HUBS	Alloy, 32h
SPOKES	Stainless
TIRES	Giant S-RX4, 700x40



FRAME GEOMETRY

SIZE	PART NUMBER	PART NUMBER	HEAD ANGLE	SEAT ANGLE*	TOP TUBE**	HEAD-TUBE	CHAINSTAY	WHEEL-BASE	STANDOVER HEIGHT***
A		B	C	D	E	F	G	H	
in	Black	Red	deg	deg	in	in	in	in	in
XS/15	50051913	50051923	71	75	20.9	4.5	17.9	41	29.8
S/17	50051914	50051924	71	74	21.7	4.5	17.9	42	30
M/19	50051915	50051925	71	73	22.4	4.9	17.9	42	30.9
L/21	50051916	50051926	71	73	23.2	5.5	17.9	43	32
XL/23	50051917	50051927	71	73	24	6.3	17.9	44	33.1

*Seat angle is actual. **Tuptube is measured from center of the headtube horizontally back to the top of the effective extension of the seattube. ***Standover height is based on the largest size tire that will fit the bike, not necessarily the included size tire. Specifications subject to change.

SEDONA DX



\$519

ALUXX
Aluminum Technology



SPECIFICATIONS

FRAME

SIZES	S, M, L, XL
COLOURS	Charcoal/Green, Charcoal/Red
FRAME	ALUXX-Grade Aluminum
FORK	SR Suntour NEX, 63mm
SHOCK	N/A

COMPONENTS

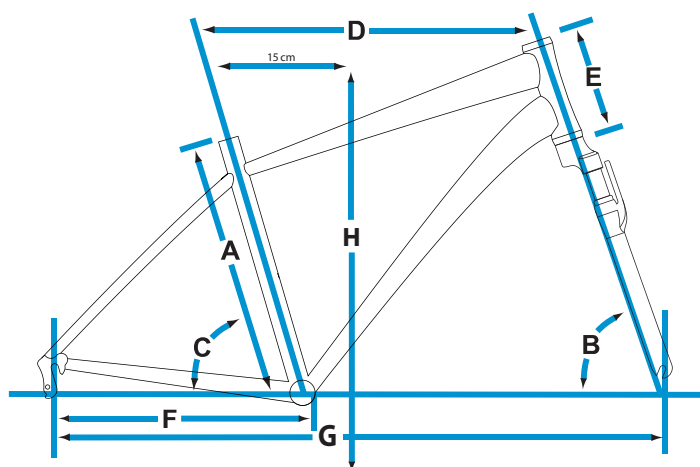
HANDLEBAR	High Rise, 25.4
STEM	Alloy Adjustable Quill
SEATPOST	Alloy Suspension, 30.9
SADDLE	Giant Comfort Groove Plus, Men's
PEDALS	Comfort Platform

DRIVETRAIN

SHIFTERS	Shimano EF51, Trigger
FRONT DERAILLEUR	Shimano Altus
REAR DERAILLEUR	Shimano Altus
BRAKES	Alloy, Direct Pull
BRAKE LEVERS	Alloy Comfort
CASSETTE	SRAM PG820, 11-32, 8-Speed
CHAIN	KMC Z72
CRANKSET	Shimano M131, 28/38/48
BOTTOM BRACKET	Shimano Cartridge

WHEELS

RIMS	Giant GX02, Alloy, Double Wall
HUBS	Alloy 32h
SPOKES	Stainless
TIRES	Kenda 26x1.95", Multi-Surface



FRAME GEOMETRY

SIZE	PART NUMBER	PART NUMBER	HEAD ANGLE	SEAT ANGLE*	TOP TUBE**	HEAD-TUBE	CHAINSTAY	WHEEL-BASE	STANDOVER HEIGHT***
A		B	C	D	E	F	G	H	
in	Charcoal/Green	Charcoal	deg	deg	in	in	in	in	in
S/18	50053014	50053024	69	70	23	7.9	17.1	42	28.2
M/20	50053015	50053025	69	70	23.4	8.5	17.1	42	29.9
L/22	50053016	50053026	69	70	24	9.1	17.1	43	31.9
XL/24	50053017	50053027	69	70	24.6	9.7	17.1	44	33.6

*Seat angle is actual. **Top tube is measured from center of the headtube horizontally back to the top of the effective extension of the seat tube. ***Standover height is based on the largest size tire that will fit the bike, not necessarily the included size tire. Specifications subject to change.

SEDONA



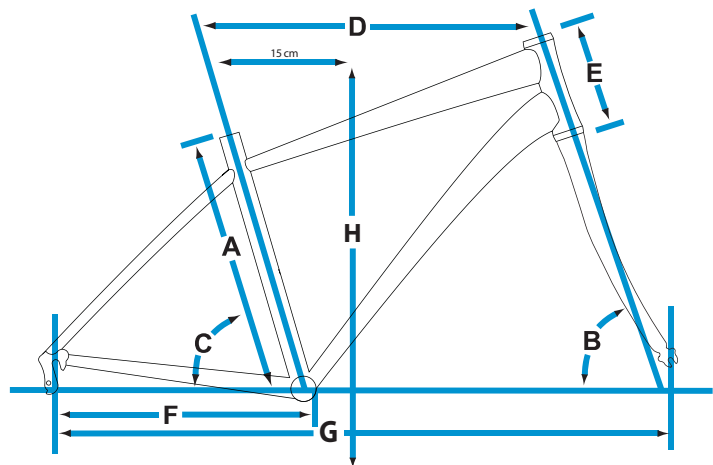
\$419

ALUXX
Aluminum Technology



SPECIFICATIONS

FRAME	
SIZES	S, M, L, XL
COLOURS	Black/Dark Silver/Blue
FRAME	ALUXX-Grade Aluminum
FORK	Chromoly
SHOCK	N/A
COMPONENTS	
HANDLEBAR	High Rise, 25.4
STEM	Quill
SEATPOST	Alloy Suspension, 30.9
SADDLE	Giant Comfort, Men's
PEDALS	Comfort Platform
DRIVETRAIN	
SHIFTERS	SRAM MRX, Twist
FRONT DERAILLEUR	Shimano Altus
REAR DERAILLEUR	Shimano Tourney
BRAKES	Alloy, Direct Pull
BRAKE LEVERS	Alloy Comfort
CASSETTE	Shimano TZ31, 14-34, 7-Speed
CHAIN	KMC Z51
CRANKSET	SR Suntour XCC, 28/38/48
BOTTOM BRACKET	Cartridge
WHEELS	
RIMS	Giant CH17, Alloy
HUBS	Alloy, 36h
SPOKES	Stainless
TIRES	Kenda 26x1.95", Multi-Surface



FRAME GEOMETRY

SIZE	PART NUMBER	HEAD ANGLE	SEAT ANGLE*	TOP TUBE**	HEADTUBE	CHAINSTAY	WHEELBASE	STANDOVER HEIGHT***
A	B	C	D	E	F	G	H	
in	Black	deg	deg	in	in	in	in	in
S/18	50052914	69	70	23	7.9	17.1	42	28.2
M/20	50052915	69	70	23.4	8.5	17.1	42	29.9
L/22	50052916	69	70	24	9.1	17.1	43	31.9
XL/24	50052917	69	70	24.6	9.7	17.1	44	33.6

*Seat angle is actual. **Top tube is measured from center of the headtube horizontally back to the top of the effective extension of the seat tube. ***Standover height is based on the largest size tire that will fit the bike, not necessarily the included size tire. Specifications subject to change.

OFF-ROAD

We ride off-road to get away from it all. To climb mountains, to go deeper into the forest. To try and go a little faster and be a little smoother. From confident trail machines to super-fast lightweight race bikes, there's a Giant Off-Road model to fit your ambitions.



I RIDE TO TAME EVERY TYPE OF TERRAIN.

TRAIL RACE/XC

Stance 27.5
Anthem Advanced 27.5
Anthem 27.5
Anthem X Advanced 29er
Anthem X 29er
XtC Advanced 27.5
XtC Advanced 29er

TRAIL/ENDURO

Trance Advanced 27.5
Trance 27.5
Reign Advanced 27.5
Reign 27.5

GRAVITY

Glory 27.5



I RIDE TO EXPLORE PARKS AND TRAILS.

XC

Talon 27.5



I RIDE OFF THE BEATEN PATH.

RECREATION

Revel



**RIDE
WITHOUT
LIMITS.**



**RIDE
WITHOUT
LIMITS.**

STANCE 27.5 1



\$1,849

FLEXPOINT.
Suspension System

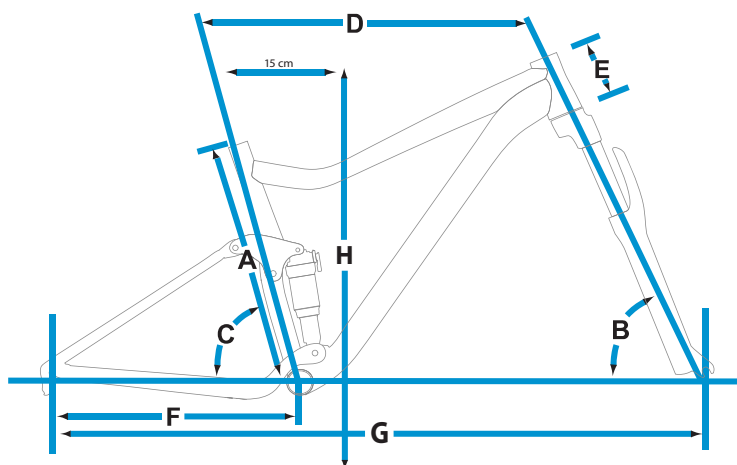
ALUXX.
Aluminum Technology

OVERDRIVE



SPECIFICATIONS

FRAME	
SIZES	XS, S, M, L, XL
COLOURS	Matte Black/White/Bright Green
FRAME	ALUXX-Grade Aluminum, 4.7"/120mm Suspension
FORK	RockShox Recon Gold RL Solo Air, 15mm Thru-Axle, Pushloc, OverDrive, 120mm
SHOCK	RockShox Monarch R
COMPONENTS	
HANDLEBAR	Giant Connect Trail, 31.8
STEM	Giant Connect
SEATPOST	Giant Connect, 30.9
SADDLE	Giant Connect, Upright
PEDALS	N/A
DRIVETRAIN	
SHIFTERS	Shimano Deore
FRONT DERAILLEUR	Shimano Deore
REAR DERAILLEUR	Shimano XT, Shadow+
BRAKES	Shimano M355, [F] 180mm [R] 160mm
BRAKE LEVERS	Shimano M355
CASSETTE	Shimano HG50, 11-36, 10-Speed
CHAIN	KMC X10
CRANKSET	FSA Custom for Giant, 24/38
BOTTOM BRACKET	FSA Press Fit
WHEELS	
RIMS	Giant CR70 27.5", Alloy, Double wall
HUBS	Giant Tracker Sport, [F] 15mm [R] 135x5 QR
SPOKES	Stainless
TIRES	Maxxis Ardent, 27.5x2.25", Wire, Silkworm Puncture Protection



FRAME GEOMETRY

SIZE	PART NUMBER	HEAD ANGLE	SEAT ANGLE*	TOP TUBE**	HEAD TUBE	CHAINSTAY	WHEELBASE	STANDOVER HEIGHT***
A	B	C	D	E	F	G	H	
in	Black/White	deg	deg	in	in	in	in	in
XS/14.5	50034713	68	74	21.9	3.9	17.1	43.1	28.6
S/15	50034714	68	73.5	22.6	3.9	17.1	43.7	28.5
M/17	50034715	68	73.5	23.4	4.1	17.1	44.5	28
L/19	50034716	68	73.5	24.2	4.7	17.1	45.3	29.4
XL/22	50034717	68	73.5	25	5.3	17.1	46.2	30.3

*Seat angle is actual. **Top tube is measured from center of the headtube horizontally back to the top of the effective extension of the seat tube. ***Standover height is based on the largest size tire that will fit the bike, not necessarily the included size tire. Specifications subject to change.

STANCE 27.5 2



\$1,499

FLEXPOINT.
Suspension System

ALUXX.
Aluminum Technology

OVERDRIVE



SPECIFICATIONS

FRAME

SIZES	XS, S, M, L, XL
COLOURS	Matte Black/Blue
FRAME	ALUXX-Grade Aluminum, 4.7"/120mm Suspension
FORK	RockShox 30 Gold SoloAir, Lockout, OverDrive, 120mm
SHOCK	RockShox Monarch R

COMPONENTS

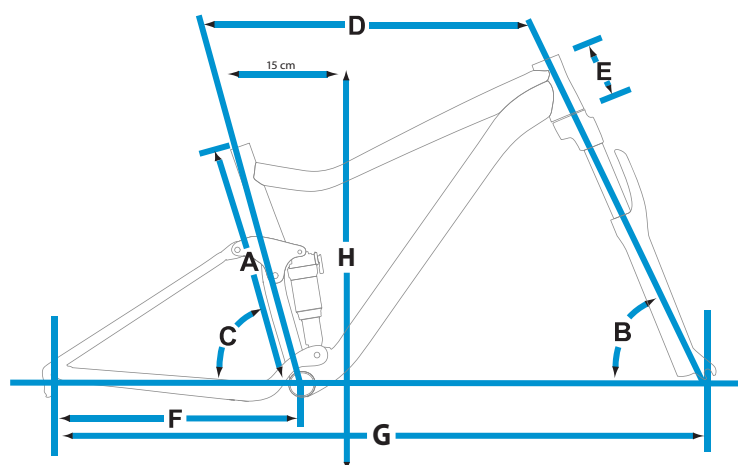
HANDLEBAR	Giant Connect Trail, 31.8
STEM	Giant Sport
SEATPOST	Giant Sport, 30.9
SADDLE	Giant Connect, Upright
PEDALS	N/A

DRIVETRAIN

SHIFTERS	Shimano Alivio
FRONT DERAILLEUR	Shimano Alivio
REAR DERAILLEUR	Shimano Alivio
BRAKES	Shimano M355, [F] 180mm [R] 160mm
BRAKE LEVERS	Shimano M355
CASSETTE	Shimano HG20, 11-34, 9-Speed
CHAIN	KMC X9
CRANKSET	FSA Custom for Giant, 22/30/40
BOTTOM BRACKET	FSA Press Fit

WHEELS

RIMS	Giant CR70 27.5", Alloy, Double wall
HUBS	Giant Tracker Sport, [F] 15mm [R] 135x5 QR
SPOKES	Stainless
TIRES	Maxxis Ardent, 27.5x2.25", Wire, Silk Worm Puncture Protection



FRAME GEOMETRY

SIZE	PART NUMBER	HEAD ANGLE	SEAT ANGLE*	TOP TUBE**	HEAD TUBE	CHAINSTAY	WHEELBASE	STANDOVER HEIGHT***
A	B	C	D	E	F	G	H	
in	Black/Cyan	deg	deg	in	in	in	in	in
XS/14.5	50034813	68	74	21.9	3.9	17.1	43.1	28.6
S/15	50034814	68	73.5	22.6	3.9	17.1	43.7	28.5
M/17	50034815	68	73.5	23.4	4.1	17.1	44.5	28
L/19	50034816	68	73.5	24.2	4.7	17.1	45.3	29.4
XL/22	50034817	68	73.5	25	5.3	17.1	46.2	30.3

*Seat angle is actual. **Top tube is measured from center of the head tube horizontally back to the top of the effective extension of the seat tube. ***Standover height is based on the largest size tire that will fit the bike, not necessarily the included size tire. Specifications subject to change.

ANTHEM ADVANCED 27.5 0 TEAM

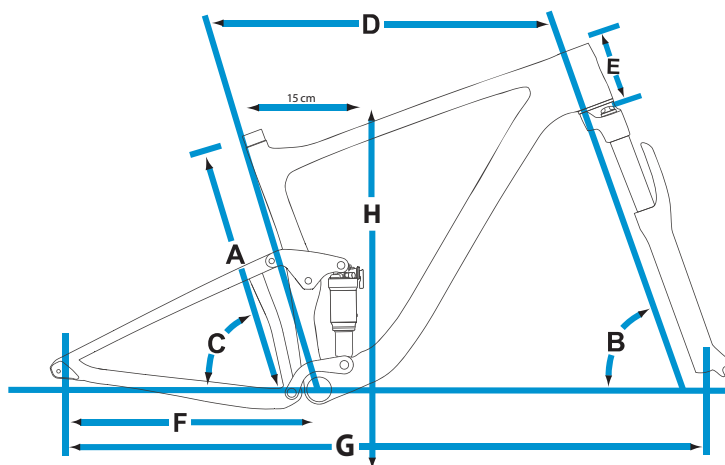


\$7,699



SPECIFICATIONS

FRAME	
SIZES	S, M, L
COLOURS	Matte/Gloss Composite/Cyan
FRAME	Advanced-Grade Composite, Front Triangle/ ALUXX SL-Grade Rear Triangle, 4"/100mm Maestro Suspension
FORK	RockShox Sid WC XX, 15mm Thru-Axle, XLoc Full Sprint Remote Lock Out, OverDrive Composite Steerer, 100mm
SHOCK	RockShox Monarch RL
COMPONENTS	
HANDLEBAR	Giant Contact SLR Trail, Composite, 31.8
STEM	Giant Contact SLR, Composite
SEATPOST	Giant Contact SLR, Composite, 30.9
SADDLE	Fi'zi:k Tundra M3 w/ K:i:um Rails
PEDALS	N/A
DRIVETRAIN	
SHIFTERS	SRAM XX1, Trigger
FRONT DERAILLEUR	N/A
REAR DERAILLEUR	SRAM XX1
BRAKES	Avid XX WC, 160mm
BRAKE LEVERS	Avid XX WC
CASSETTE	SRAM XG1195, 10-42, 11-speed
CHAIN	KMC X11SL DLC
CRANKSET	SRAM XX1, 34
BOTTOM BRACKET	SRAM Press Fit
WHEELS	
RIMS	Giant P-XCR0 Composite 27.5" WheelSystem
HUBS	Giant P-XCR, [F] 15mm [R] 142x12mm
SPOKES	DT Swiss
TIRES	Schwalbe Racing Ralph, 27x2.25", EVO, Folding, TL Ready



FRAME GEOMETRY

SIZE	PART NUMBER	HEAD ANGLE	SEAT ANGLE*	TOP TUBE**	HEAD TUBE	CHAINSTAY	WHEELBASE	STANDOVER HEIGHT***
A		B	C	D	E	F	G	H
in	Comp/Cyan	deg	deg	in	in	in	in	in
S/16	50031214	69.5	73	22.6	3.7	17	42.5	28.1
M/18	50031215	69.5	73	23.4	3.9	17	43.3	29.3
L/20	50031216	69.5	73	24.2	3.9	17	44.1	30.8

*Seat angle is actual. **Tuptube is measured from center of the headtube horizontally back to the top of the effective extension of the seattube. ***Standover height is based on the largest size tire that will fit the bike, not necessarily the included size tire. Specifications subject to change.

ANTHEM ADVANCED 27.5 1

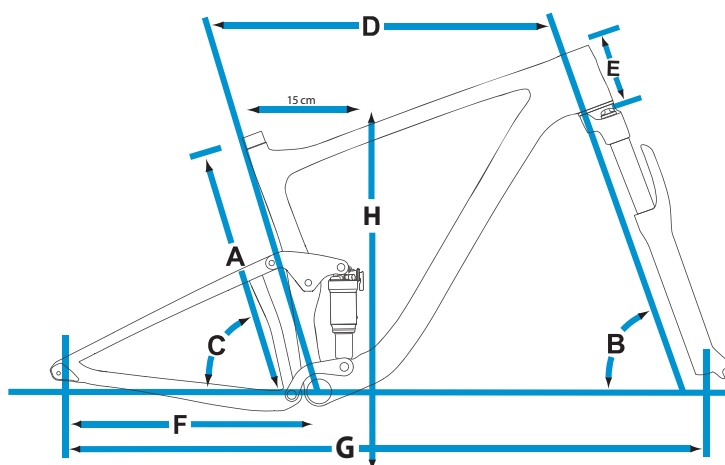


\$4,299



SPECIFICATIONS

FRAME	
SIZES	S, M, L, XL
COLOURS	Silver/Blue
FRAME	Advanced-Grade Composite, Front Triangle/ ALUXX SL-Grade Rear Triangle, 4"/100mm Maestro Suspension
FORK	Fox 32 Float CTD Factory, 15mm Thru-Axle, Remote Lockout, OverDrive Steerer, 100mm
SHOCK	Fox Float CTD Performance
COMPONENTS	
HANDLEBAR	Giant Contact SL Trail, 31.8
STEM	Giant Contact SL
SEATPOST	Giant Contact SL, 30.9
SADDLE	Giant Contact, Forward
PEDALS	N/A
DRIVETRAIN	
SHIFTERS	Shimano XT
FRONT DERAILLEUR	Shimano XT
REAR DERAILLEUR	Shimano XT, Shadow+
BRAKES	Shimano XT, 160mm
BRAKE LEVERS	Shimano XT
CASSETTE	Shimano HG81, 11-36, 10-speed
CHAIN	KMC X10SL
CRANKSET	Shimano XT, 26/38
BOTTOM BRACKET	Shimano Press Fit
WHEELS	
RIMS	Giant P-XCR 1C Composite 27.5" WheelSystem
HUBS	Giant P-XCR, [F] 15mm [R] 142x12mm
SPOKES	Sapim Race
TIRES	Schwalbe Racing Ralph, 27x2.25", EVO, Folding, TL Ready



FRAME GEOMETRY

SIZE	PART NUMBER	HEAD ANGLE	SEAT ANGLE*	TOP TUBE**	HEAD TUBE	CHAINSTAY	WHEELBASE	STANDOVER HEIGHT***
A	B	C	D	E	F	G	H	
in	Silver	deg	deg	in	in	in	in	in
S/16	50031314	69.5	73	22.6	3.7	17	42.5	28.1
M/18	50031315	69.5	73	23.4	3.9	17	43.3	29.3
L/20	50031316	69.5	73	24.2	3.9	17	44.1	30.8
XL/22	50031317	69.5	73	25	4.3	17	44.9	31.7

*Seat angle is actual. **Tuptube is measured from center of the headtube horizontally back to the top of the effective extension of the seattube. ***Standover height is based on the largest size tire that will fit the bike, not necessarily the included size tire. Specifications subject to change.

ANTHEM X ADVANCED 29ER

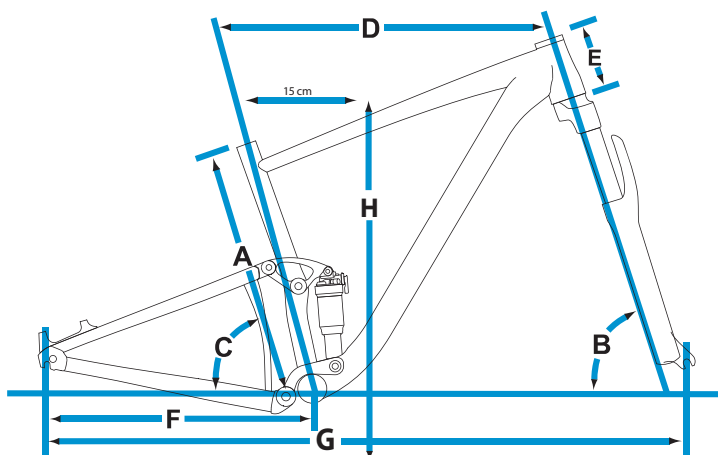


\$4,299



SPECIFICATIONS

FRAME	
SIZES	S, M, L, XL
COLOURS	Matte Composite/White/Blue
FRAME	Advanced-Grade Composite, Front Triangle/ ALUXX SL-Grade Rear Triangle, 4"/100mm Maestro Suspension
FORK	Fox 32 Float CTD Factory Kashima, 15mm Thru-Axle, OverDrive Steerer, 100mm
SHOCK	Fox Float CTD Factory Kashima
COMPONENTS	
HANDLEBAR	Giant Contact SL Trail, 31.8
STEM	Giant Contact SL
SEATPOST	Giant Contact SL, 30.9
SADDLE	Giant Contact, Forward
PEDALS	N/A
DRIVETRAIN	
SHIFTERS	Shimano XT
FRONT DERAILLEUR	Shimano XT
REAR DERAILLEUR	Shimano XT, Shadow+
BRAKES	Shimano XT, [F] 180mm [R] 160mm
BRAKE LEVERS	Shimano XT
CASSETTE	Shimano HG81, 11-36, 10-speed
CHAIN	KMC X10SL
CRANKSET	Shimano XT, 24/38
BOTTOM BRACKET	Shimano Press Fit
WHEELS	
RIMS	Giant P-XCR1 29"
HUBS	Giant P-XCR, [F] 15mm [R] 135x5mm QR
SPOKES	DT Swiss
TIRES	Schwalbe Racing Ralph, 29x2.25", EVO, Folding, TL Ready



FRAME GEOMETRY

SIZE	PART NUMBER	HEAD ANGLE	SEAT ANGLE*	TOP TUBE**	HEAD TUBE	CHAINSTAY	WHEELBASE	STANDOVER HEIGHT***
A	B	C	D	E	F	G	H	
in	Comp/Blue	deg	deg	in	in	in	in	in
S/16	50031814	71	73	22.6	4.1	18.2	42.7	29.8
M/18	50031815	71	73	23.4	4.1	18.2	43.5	30.3
L/20	50031816	71	73	24.2	4.1	18.2	44.3	31.7
XL/22	50031817	71	73	25	4.7	18.2	45.1	32.3

*Seat angle is actual. **Tuptube is measured from center of the headtube horizontally back to the top of the effective extension of the seattube. ***Standover height is based on the largest size tire that will fit the bike, not necessarily the included size tire. Specifications subject to change.

ANTHEM ADVANCED 27.5 2

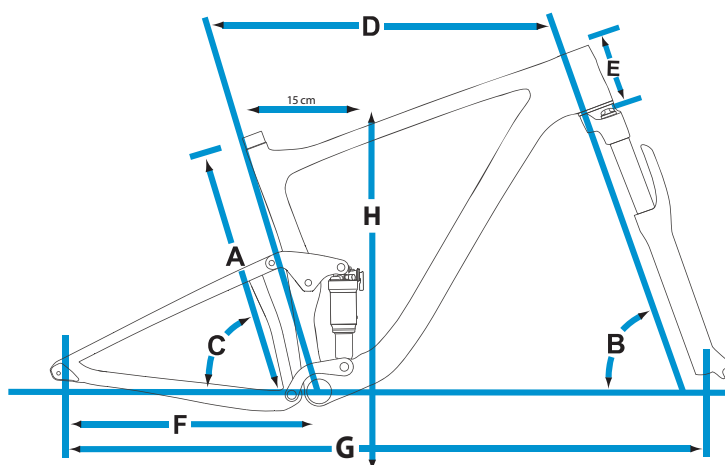


\$3,199



SPECIFICATIONS

FRAME	
SIZES	S, M, L, XL
COLOURS	Composite/White/Green
FRAME	Advanced-Grade Composite, Front Triangle/ ALUXX SL-Grade Rear Triangle, 4"/100mm Maestro Suspension
FORK	RockShox Reba RL Solo Air, 15mm Axle, OverDrive Steerer, PushLoc, 100mm
SHOCK	RockShox Monarch RL
COMPONENTS	
HANDLEBAR	Giant Contact Trail, 31.8
STEM	Giant Contact
SEATPOST	Giant Contact, 30.9
SADDLE	Giant Contact, Forward
PEDALS	N/A
DRIVETRAIN	
SHIFTERS	SRAM X7, Trigger
FRONT DERAILLEUR	SRAM X7
REAR DERAILLEUR	SRAM X9, Type-2
BRAKES	SRAM Guide R, 160mm
BRAKE LEVERS	SRAM Guide R
CASSETTE	SRAM PG1030, 11-36, 10-Speed*
CHAIN	KMC X10SL
CRANKSET	SRAM S1000, 24/38
BOTTOM BRACKET	SRAM Press Fit
WHEELS	
RIMS	Giant P-XC 2 27.5"
HUBS	Giant P-XC, [F] 15mm [R] 135x5mm QR
SPOKES	Sapim Race
TIRES	Schwalbe Racing Ralph, 27.5x2.25", EVO, Folding, TL Ready



FRAME GEOMETRY

SIZE	PART NUMBER	HEAD ANGLE	SEAT ANGLE*	TOP TUBE**	HEAD TUBE	CHAINSTAY	WHEELBASE	STANDOVER HEIGHT***
A	B	C	D	E	F	G	H	
in	Comp/Green	deg	deg	in	in	in	in	in
S/16	50031414	69.5	73	22.6	3.7	17	42.5	28.1
M/18	50031415	69.5	73	23.4	3.9	17	43.3	29.3
L/20	50031416	69.5	73	24.2	3.9	17	44.1	30.8
XL/22	50031417	69.5	73	25	4.3	17	44.9	31.7

*Seat angle is actual. **Tubtube is measured from center of the headtube horizontally back to the top of the effective extension of the seattube. ***Standover height is based on the largest size tire that will fit the bike, not necessarily the included size tire. Specifications subject to change.

ANTHEM 27.5 1

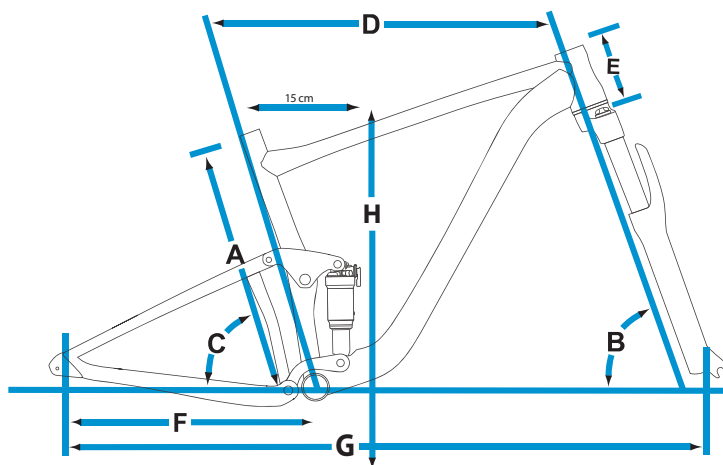


\$2,999



SPECIFICATIONS

FRAME	
SIZES	XS, S, M, L, XL
COLOURS	Dark Blue/Blue/Red
FRAME	ALUXX SL-Grade Aluminum, 4"/100mm Maestro Suspension
FORK	Fox 32 Float CTD Factory, 15mm Thru-Axle, Remote Lockout, OverDrive Steerer, 100mm
SHOCK	Fox Float CTD Performance
COMPONENTS	
HANDLEBAR	Giant Contact Trail, 31.8
STEM	Giant Contact
SEATPOST	Giant Contact, 30.9
SADDLE	Giant Contact, Forward
PEDALS	N/A
DRIVETRAIN	
SHIFTERS	Shimano XT
FRONT DERAILLEUR	Shimano SLX
REAR DERAILLEUR	Shimano XT, Shadow+
BRAKES	Shimano XT [F] 180mm [R] 160mm
BRAKE LEVERS	Shimano XT
CASSETTE	Shimano HG81, 11-36, 10-Speed
CHAIN	KMC X10SL
CRANKSET	Shimano XT, 26/38
BOTTOM BRACKET	Shimano Press Fit
WHEELS	
RIMS	Giant P-XC 2 27.5"
HUBS	Giant P-XC, [F] 15mm [R] 135x5mm QR
SPOKES	Sapim Race
TIRES	Schwalbe Racing Ralph, 27.5x2.25", EVO, Folding, TL Ready



FRAME GEOMETRY

SIZE	PART NUMBER	HEAD ANGLE	SEAT ANGLE*	TOP TUBE**	HEAD TUBE	CHAINSTAY	WHEELBASE	STANDOVER HEIGHT***
A	B	C	D	E	F	G	H	
in	Blue/Red	deg	deg	in	in	in	in	in
XS/14.5	50030813	69.5	74	21.9	3.7	17	42.1	28
S/16	50030814	69.5	73	22.6	3.7	17	42.5	28.1
M/18	50030815	69.5	73	23.4	3.9	17	43.3	29.3
L/20	50030816	69.5	73	24.2	3.9	17	44.1	30.8
XL/22	50030817	69.5	73	25	4.3	17	44.9	31.7

*Seat angle is actual. **Top tube is measured from center of the headtube horizontally back to the top of the effective extension of the seat tube. ***Standover height is based on the largest size tire that will fit the bike, not necessarily the included size tire. Specifications subject to change.

ANTHEM X 29ER



\$2,499



SPECIFICATIONS

FRAME

SIZES	S, M, L, XL
COLOURS	Dark Blue/Blue/White
FRAME	ALUXX SL-Grade Aluminum, 4"/100mm Maestro Suspension
FORK	Fox 32 Float CTD Evolution, 15mm Thru-Axle, OverDrive Steerer, 100mm
SHOCK	Fox Float CTD Evolution

COMPONENTS

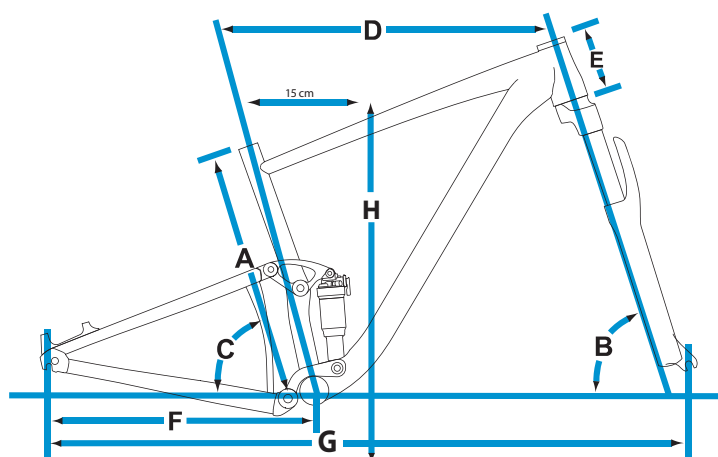
HANDLEBAR	Giant Contact Trail, 31.8
STEM	Giant Contact
SEATPOST	Giant Contact, 30.9
SADDLE	Giant Contact, Forward
PEDALS	N/A

DRIVETRAIN

SHIFTERS	Shimano SLX
FRONT DERAILLEUR	Shimano SLX
REAR DERAILLEUR	Shimano XT, Shadow+
BRAKES	Shimano SLX, [F] 180mm [R] 160mm
BRAKE LEVERS	Shimano SLX
CASSETTE	Shimano HG81, 11-36, 10-speed
CHAIN	KMC X10
CRANKSET	Shimano SLX, 24/38
BOTTOM BRACKET	Shimano Press Fit

WHEELS

RIMS	Giant P-XC 2 29"
HUBS	Giant P-XC, [F] 15mm [R] 135x5mm QR
SPOKES	Sapim Race
TIRES	Schwalbe Racing Ralph, 29x2.25", Performance, Folding



FRAME GEOMETRY

SIZE	PART NUMBER	HEAD ANGLE	SEAT ANGLE*	TOP TUBE**	HEAD TUBE	CHAINSTAY	WHEELBASE	STANDOVER HEIGHT***
A	B	C	D	E	F	G	H	
in	Dark Blue	deg	deg	in	in	in	in	in
S/16	50031714	71	73	22.6	4.1	18.2	42.7	29.8
M/18	50031715	71	73	23.4	4.1	18.2	43.5	30.3
L/20	50031716	71	73	24.2	4.1	18.2	44.3	31.7
XL/22	50031717	71	73	25	4.7	18.2	45.1	32.3

*Seat angle is actual. **Top tube is measured from center of the headtube horizontally back to the top of the effective extension of the seat tube. ***Standover height is based on the largest size tire that will fit the bike, not necessarily the included size tire. Specifications subject to change.

ANTHEM 27.5 2

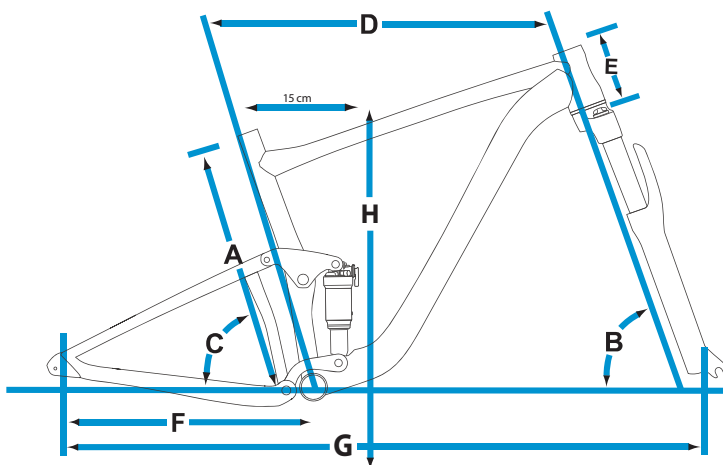


\$2,349



SPECIFICATIONS

FRAME	
SIZES	XS, S, M, L, XL
COLOURS	Black/Blue/Cyan
FRAME	ALUXX SL-Grade Aluminum, 4"/100mm Maestro Suspension
FORK	RockShox Reba RL Solo Air, 15mm Axle, OverDrive Steerer, PushLoc, 100mm
SHOCK	RockShox Monarch RL
COMPONENTS	
HANDLEBAR	Giant Connect XC, 31.8
STEM	Giant Connect
SEATPOST	Giant Connect, 30.9
SADDLE	Giant Contact, Forward
PEDALS	N/A
DRIVETRAIN	
SHIFTERS	Shimano SLX
FRONT DERAILLEUR	Shimano SLX
REAR DERAILLEUR	Shimano SLX, Shadow +
BRAKES	Shimano M615, 160mm
BRAKE LEVERS	Shimano M615
CASSETTE	Shimano HG50, 11-36,10 Speed
CHAIN	KMC X10
CRANKSET	Shimano SLX, 24/38
BOTTOM BRACKET	Shimano Press Fit
WHEELS	
RIMS	Giant P-XC 2 27.5"
HUBS	Giant P-XC, [F] 15mm [R] 135x5mm QR
SPOKES	Sapim Race
TIRES	Schwalbe Racing Ralph, 27.5x2.25", Performance, Folding



FRAME GEOMETRY

SIZE	PART NUMBER	HEAD ANGLE	SEAT ANGLE*	TOP TUBE**	HEAD TUBE	CHAINSTAY	WHEELBASE	STANDOVER HEIGHT***
A	B	C	D	E	F	G	H	
in	Black	deg	deg	in	in	in	in	in
XS/14.5	50030913	69.5	74	21.9	3.7	17	42.1	28
S/16	50030914	69.5	73	22.6	3.7	17	42.5	28.1
M/18	50030915	69.5	73	23.4	3.9	17	43.3	29.3
L/20	50030916	69.5	73	24.2	3.9	17	44.1	30.8
XL/22	50030917	69.5	73	25	4.3	17	44.9	31.7

*Seat angle is actual. **Top tube is measured from center of the headtube horizontally back to the top of the effective extension of the seat tube. ***Standover height is based on the largest size tire that will fit the bike, not necessarily the included size tire. Specifications subject to change.

ANTHEM 27.5 3



\$1,999



SPECIFICATIONS

FRAME

SIZES	XS, S, M, L, XL
COLOURS	Silver/Black/Orange
FRAME	ALUXX SL-Grade Aluminum, 4"/100mm Maestro Suspension
FORK	RockShox Recon Gold RL Solo Air, 15mm Axle, Overdrive Steerer, 100mm
SHOCK	RockShox Monarch R

COMPONENTS

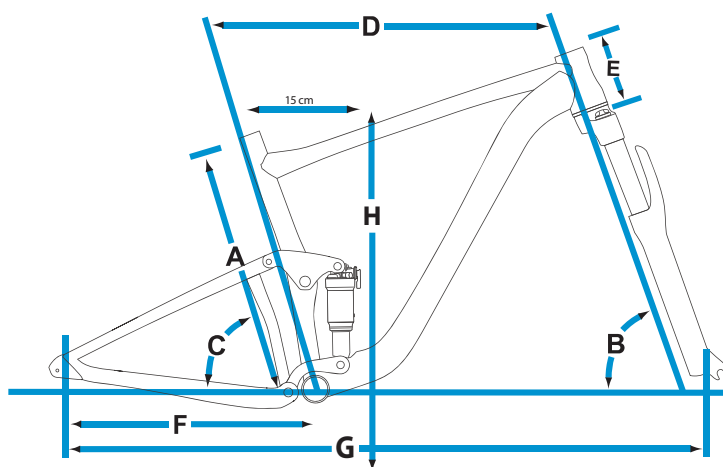
HANDLEBAR	Giant Connect XC, 31.9
STEM	Giant Connect
SEATPOST	Giant Connect, 30.9
SADDLE	Giant Contact, Forward
PEDALS	N/A

DRIVETRAIN

SHIFTERS	Shimano Deore
FRONT DERAILLEUR	Shimano Deore
REAR DERAILLEUR	Shimano Deore, Shadow+
BRAKES	Shimano M395, 160mm
BRAKE LEVERS	Shimano M396
CASSETTE	Shimano HG50, 11-36, 10-Speed
CHAIN	KMC X10
CRANKSET	Shimano Deore, 24/38
BOTTOM BRACKET	Shimano Press Fit

WHEELS

RIMS	Giant S-XC 2 27.5"
HUBS	Giant S-XC, [F] 15mm [R] 135x5mm QR
SPOKES	Stainless
TIRES	Schwalbe Racing Ralph, 27.5x2.25", Wire, Performance



FRAME GEOMETRY

SIZE	PART NUMBER	HEAD ANGLE	SEAT ANGLE*	TOP TUBE**	HEAD TUBE	CHAINSTAY	WHEELBASE	STANDOVER HEIGHT***
A	B	C	D	E	F	G	H	
in	Silver	deg	deg	in	in	in	in	in
XS/14.5	50031013	69.5	74	21.9	3.7	17	42.1	28
S/16	50031014	69.5	73	22.6	3.7	17	42.5	28.1
M/18	50031015	69.5	73	23.4	3.9	17	43.3	29.3
L/20	50031016	69.5	73	24.2	3.9	17	44.1	30.8
XL/22	50031017	69.5	73	25	4.3	17	44.9	31.7

*Seat angle is actual. **Top tube is measured from center of the headtube horizontally back to the top of the effective extension of the seat tube. ***Standover height is based on the largest size tire that will fit the bike, not necessarily the included size tire. Specifications subject to change.

ANTHEM ADVANCED SX 27.5

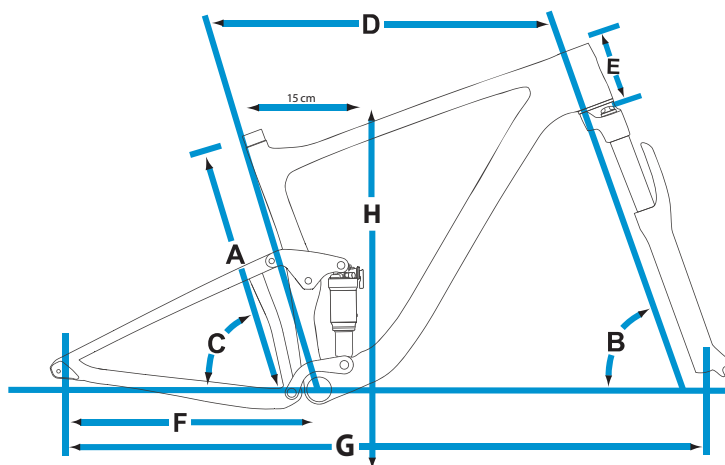


\$4,999



SPECIFICATIONS

FRAME	
SIZES	S, M, L, XL
COLOURS	Deep Blue/Blue/Orange
FRAME	Advanced-Grade Composite, Front Triangle/ ALUXX SL-Grade Rear Triangle, 4"/100mm Maestro Suspension
FORK	RockShox Revelation RL, 15mm Thru-Axle, OverDrive Steerer, 120mm
SHOCK	RockShox Monarch RT Debonair
COMPONENTS	
HANDLEBAR	Giant Contact SL Trail, 31.8
STEM	Giant Contact SL
SEATPOST	Giant Contact SL Switch-R, 30.9
SADDLE	Giant Contact, Forward
PEDALS	N/A
DRIVETRAIN	
SHIFTERS	SRAM X01, Trigger
FRONT DERAILLEUR	N/A
REAR DERAILLEUR	SRAM X01, Type-2
BRAKES	SRAM Guide RS, [F] 170mm [R] 160mm
BRAKE LEVERS	SRAM Guide RS
CASSETTE	SRAM XG1180, 10-42, 11-Speed
CHAIN	KMC X11SL
CRANKSET	SRAM X01, 32
BOTTOM BRACKET	SRAM Press Fit
WHEELS	
RIMS	Giant P-TRX 1C Composite 27.5" WheelSystem
HUBS	Giant TRX, [F] 15mm [R] 12x142mm
SPOKES	Sapim Race
TIRES	[F] Schwalbe Nobby Nic, 27.5x2.25", EVO, SnakeSkin, TL Ready [R] Schwalbe Racing Ralph, 27x2.25", EVO Folding, TL Ready



FRAME GEOMETRY

SIZE	PART NUMBER	HEAD ANGLE	SEAT ANGLE*	TOP TUBE**	HEAD TUBE	CHAINSTAY	WHEELBASE	STANDOVER HEIGHT***
A	B	C	D	E	F	G	H	
in	Blue/Orange	deg	deg	in	in	in	in	in
S/16	50031514	68.5	72	22.6	3.7	17	42.8	28.4
M/18	50031515	68.5	72	23.4	3.9	17	43.6	29.7
L/20	50031516	68.5	72	24.2	3.9	17	44.3	31
XL/22	50031517	68.5	72	25	4.3	17	45.2	31.9

*Seat angle is actual. **Tuptube is measured from center of the headtube horizontally back to the top of the effective extension of the seattube. ***Standover height is based on the largest size tire that will fit the bike, not necessarily the included size tire. Specifications subject to change.

ANTHEM SX 27.5



\$2,799



SPECIFICATIONS

FRAME

SIZES	S, M, L, XL
COLOURS	Blue/Silver/Yellow
FRAME	ALUXX SL-Grade Aluminum, 4"/100mm Maestro Suspension
FORK	Fox 32 Float CTD Performance, 15mm Thru-Axle, OverDrive Steerer, 120mm
SHOCK	Fox Float CTD Performance

COMPONENTS

HANDLEBAR	Giant Contact Trail, 31.8
STEM	Giant Contact
SEATPOST	Giant Contact SL Switch-R, 30.9
SADDLE	Giant Contact, Forward
PEDALS	N/A

DRIVETRAIN

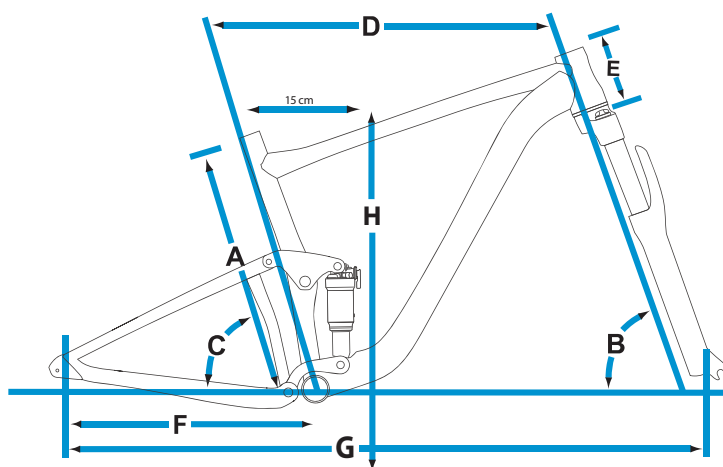
SHIFTERS	Shimano SLX
FRONT DERAILLEUR	Shimano SLX
REAR DERAILLEUR	Shimano XT, Shadow+
BRAKES	Shimano SLX, [F] 180mm [R] 160mm
BRAKE LEVERS	Shimano SLX
CASSETTE	Shimano HG81, 11-36, 10-Speed
CHAIN	KMC X10
CRANKSET	Shimano SLX, 24/38
BOTTOM BRACKET	Shimano Press Fit

WHEELS

RIMS	Giant P-XC 2 27.5"
HUBS	Giant P-XC, [F] 15mm [R] 135x5mm QR
SPOKES	Sapim Race

TIRES

[F] Schwalbe Nobby Nic, 27.5x2.25", EVO, SnakeSkin, TL Ready [R] Schwalbe Racing Ralph, 27x2.25", EVO Folding, TL Ready



FRAME GEOMETRY

SIZE	PART NUMBER	HEAD ANGLE	SEAT ANGLE*	TOP TUBE**	HEAD TUBE	CHAINSTAY	WHEELBASE	STANDOVER HEIGHT***
A	B	C	D	E	F	G	H	
in	Blue/Yellow	deg	deg	in	in	in	in	in
S/16	50031614	68.5	72	22.6	3.7	17	42.8	28.4
M/18	50031615	68.5	72	23.4	3.9	17	43.6	29.7
L/20	50031616	68.5	72	24.2	3.9	17	44.3	31
XL/22	50031617	68.5	72	25	4.3	17	45.2	31.9

*Seat angle is actual. **Top tube is measured from center of the headtube horizontally back to the top of the effective extension of the seat tube. ***Standover height is based on the largest size tire that will fit the bike, not necessarily the included size tire. Specifications subject to change.

TRANCE ADVANCED 27.5 0 TEAM

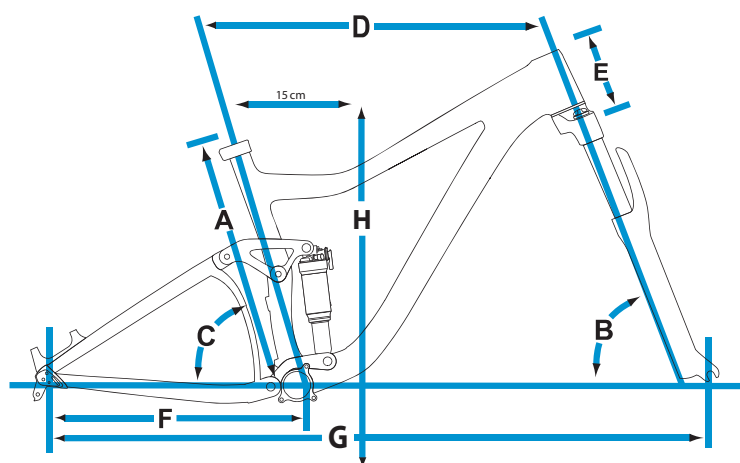


\$7,399



SPECIFICATIONS

FRAME	
SIZES	S, M, L
COLOURS	Matte/Gloss Composite/Cyan
FRAME	Advanced-Grade Composite, Front Triangle/ ALUXX SL-Grade Rear Triangle, 5.5"/140mm Maestro Suspension
FORK	RockShox Revelation RCT3 Dual Position Air, 15mm Thru-Axle, OverDrive Steerer, 120-140mm
SHOCK	RockShox Monarch RT3
COMPONENTS	
HANDLEBAR	Giant Contact SLR Trail, Composite, 31.8
STEM	Giant Contact SLR, Composite
SEATPOST	Giant Contact SL Switch-R, 30.9
SADDLE	Fi'zi:k Gobi XM w/ Kium Rails
PEDALS	N/A
DRIVETRAIN	
SHIFTERS	SRAM XX1, Trigger
FRONT DERAILLEUR	N/A
REAR DERAILLEUR	SRAM XX1, Type-2
BRAKES	SRAM Guide RSC, [F] 170mm [R] 160mm
BRAKE LEVERS	SRAM Guide RSC
CASSETTE	SRAM XG1195, 10-42, 11-Speed
CHAIN	KMC X11SL DLC
CRANKSET	SRAM XX1 Carbon, 32
BOTTOM BRACKET	SRAM Press Fit
WHEELS	
RIMS	Giant P-TRX0 Composite 27.5" WheelSystem
HUBS	Giant TRX, [F] 15mm [R] 12x142mm
SPOKES	DT Swiss
TIRES	[F] Schwalbe Nobby Nic, 27.5x2.25", Snakeskin, Trailstar, TL Ready [R] Nobby Nic, 27.5x2.25", Snakeskin, Pacestar, TL Ready



FRAME GEOMETRY

SIZE	PART NUMBER	HEAD ANGLE	SEAT ANGLE*	TOP TUBE**	HEAD TUBE	CHAINSTAY	WHEELBASE	STANDOVER HEIGHT***
A	B	C	D	E	F	G	H	
in	Comp/Cyan	deg	deg	in	in	in	in	in
S/16	50034014	67	73.5	22.4	3.9	17.3	44.3	26.8
M/18	50034015	67	73.5	23.6	3.9	17.3	45.5	28.1
L/20	50034016	67	73.5	24.4	4.7	17.3	46.3	29.7

*Seat angle is actual. **Tuptube is measured from center of the headtube horizontally back to the top of the effective extension of the seattube. ***Standover height is based on the largest size tire that will fit the bike, not necessarily the included size tire. Specifications subject to change.

TRANCE ADVANCED 27.5 1

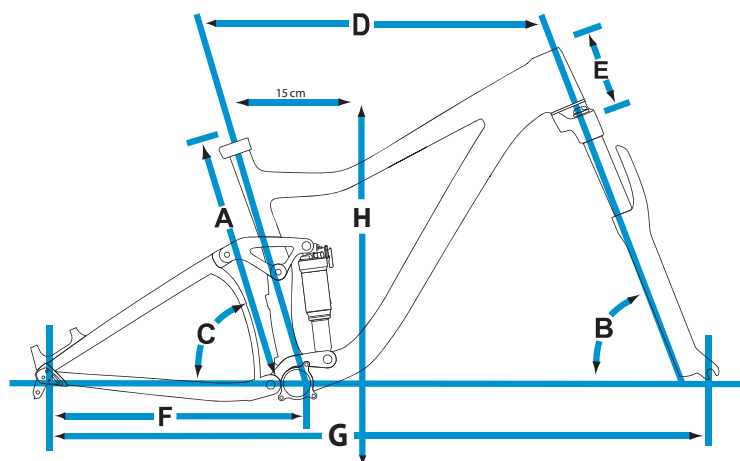


\$4,999



SPECIFICATIONS

FRAME	
SIZES	XS, S, M, L, XL
COLOURS	Matte Composite/Green
FRAME	Advanced-Grade Composite, Front Triangle/ ALUXX SL-Grade Rear Triangle, 5.5"/140mm Maestro Suspension
FORK	RockShox Revelation RL Dual Position Air, 15mm Thru-Axle, OverDrive Steerer, 120-140mm
SHOCK	RockShox Monarch RT
COMPONENTS	
HANDLEBAR	Giant Contact SL Trail, 31.8
STEM	Giant Contact SL
SEATPOST	Giant Contact SL Switch-R, 30.9
SADDLE	Fi'zi:k Gobi XM w/ MG Rails
PEDALS	N/A
DRIVETRAIN	
SHIFTERS	SRAM X01, Trigger
FRONT DERAILLEUR	N/A
REAR DERAILLEUR	SRAM X01, Type-2
BRAKES	SRAM Guide RS, [F] 170mm [R] 160mm
BRAKE LEVERS	SRAM Guide RS
CASSETTE	SRAM XG1180, 10-42, 11-Speed
CHAIN	KMC X11SL DLC
CRANKSET	SRAM X01, 32
BOTTOM BRACKET	SRAM Press Fit
WHEELS	
RIMS	Giant P-TRX 1C Composite 27.5" WheelSystem
HUBS	Giant TRX, [F] 15mm [R] 12x142mm
SPOKES	Sapim Race
TIRES	[F] Schwalbe Nobby Nic, 27.5x2.25", EVO, Snakeskin, Trailstar, TL Ready [R] Nobby Nic, 27.5x2.25", EVO, Snakeskin, Pacesar, TL Ready



FRAME GEOMETRY

SIZE	PART NUMBER	HEAD ANGLE	SEAT ANGLE*	TOP TUBE**	HEAD TUBE	CHAINSTAY	WHEELBASE	STANDOVER HEIGHT***
A	B	C	D	E	F	G	H	
in	Comp/Green	deg	deg	in	in	in	in	in
XS/14.5	50034113	67	73.5	21.7	3.9	17.3	43.5	26.7
S/16	50034114	67	73.5	22.4	3.9	17.3	44.3	26.8
M/18	50034115	67	73.5	23.6	3.9	17.3	45.5	28.1
L/20	50034116	67	73.5	24.4	4.7	17.3	46.3	29.7
XL/22	50034117	67	73.5	25.4	5.3	17.3	47.4	30.3

*Seat angle is actual. **Top tube is measured from center of the headtube horizontally back to the top of the effective extension of the seat tube. ***Standover height is based on the largest size tire that will fit the bike, not necessarily the included size tire. Specifications subject to change.

TRANCE ADVANCED 27.5 2

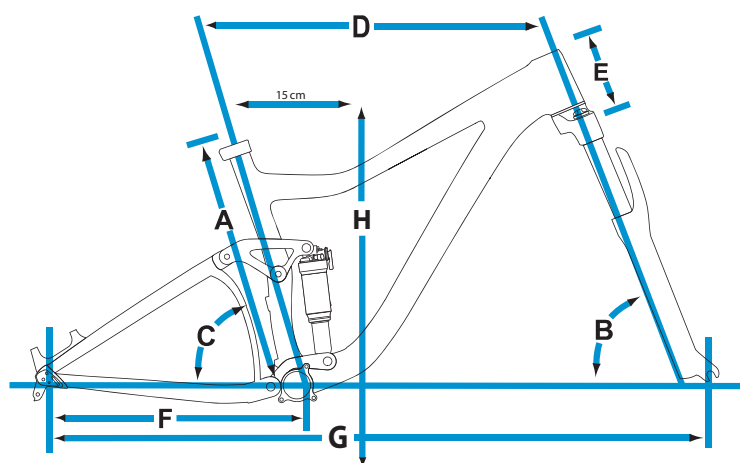


\$3,399



SPECIFICATIONS

FRAME	
SIZES	XS, S, M, L, XL
COLOURS	Matte Composite/Red
FRAME	Advanced-Grade Composite, Front Triangle/ ALUXX SL-Grade Rear Triangle, 5.5"/140mm Maestro Suspension
FORK	RockShox Sektor RL Solo Air, 15mm Thru-Axle, OverDrive Steerer, 140mm
SHOCK	RockShox Monarch RT
COMPONENTS	
HANDLEBAR	Giant Contact Trail, 31.8
STEM	Giant Contact
SEATPOST	Giant Contact SL Switch-R, 30.9
SADDLE	Giant Contact, Upright
PEDALS	N/A
DRIVETRAIN	
SHIFTERS	SRAM X7, Trigger
FRONT DERAILLEUR	SRAM X7
REAR DERAILLEUR	SRAM X9, Type-2
BRAKES	SRAM Guide R, [F] 170mm [R] 160mm
BRAKE LEVERS	SRAM Guide R
CASSETTE	SRAM PG1050, 11-36, 10-Speed
CHAIN	KMC X10
CRANKSET	SRAM S1000, 24/38 w/ MRP 2x Guide
BOTTOM BRACKET	SRAM Press Fit
WHEELS	
RIMS	Giant P-XC 2 27.5"
HUBS	Giant P-XC, [F] 15mm [R] 135x5mm QR
SPOKES	Sapim Race
TIRES	[F] Schwalbe Nobby Nic, 27.5x2.25", EVO, Snakeskin, Trailstar, TL Ready [R] Nobby Nic, 27.5x2.25", EVO, Snakeskin, Pacesar, TL Ready



FRAME GEOMETRY

SIZE	PART NUMBER	HEAD ANGLE	SEAT ANGLE*	TOP TUBE**	HEAD TUBE	CHAINSTAY	WHEELBASE	STANDOVER HEIGHT***
A	B	C	D	E	F	G	H	
in	Comp/Red	deg	deg	in	in	in	in	in
XS/14.5	50034213	67	73.5	21.7	3.9	17.3	43.5	26.7
S/16	50034214	67	73.5	22.4	3.9	17.3	44.3	26.8
M/18	50034215	67	73.5	23.6	3.9	17.3	45.5	28.1
L/20	50034216	67	73.5	24.4	4.7	17.3	46.3	29.7
XL/22	50034217	67	73.5	25.4	5.3	17.3	47.4	30.3

*Seat angle is actual. **Top tube is measured from center of the headtube horizontally back to the top of the effective extension of the seat tube. ***Standover height is based on the largest size tire that will fit the bike, not necessarily the included size tire. Specifications subject to change.

TRANCE 27.5 1

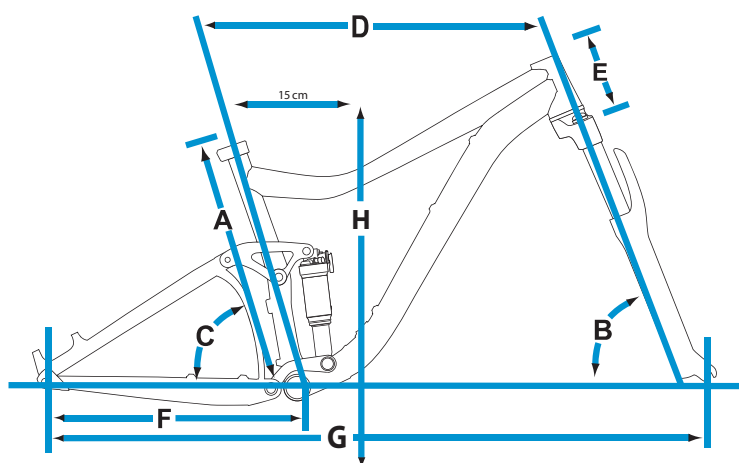


\$3,599



SPECIFICATIONS

FRAME	
SIZES	XS, S, M, L, XL
COLOURS	Aluminum/Dark Silver/Black
FRAME	ALUXX SL-Grade Aluminum, 5.5"/140mm Maestro Suspension
FORK	RockShox Revelation RL Dual Position Air, 15mm Thru-Axle, OverDrive Steerer, 120-140mm
SHOCK	RockShox Monarch RT3
COMPONENTS	
HANDLEBAR	Giant Contact Trail, 31.8
STEM	Giant Contact
SEATPOST	Giant Contact SL Switch-R, 30.9
SADDLE	Giant Contact, Upright
PEDALS	N/A
DRIVETRAIN	
SHIFTERS	Shimano SLX
FRONT DERAILLEUR	Shimano SLX
REAR DERAILLEUR	Shimano XT, Shadow+
BRAKES	Shimano SLX, [F] 180mm [R] 160mm
BRAKE LEVERS	Shimano SLX
CASSETTE	Shimano HG81, 11-36, 10-Speed
CHAIN	KMC X10
CRANKSET	Shimano XT, 24/38 w/ MRP 2x Guide
BOTTOM BRACKET	Shimano Press Fit
WHEELS	
RIMS	Giant P-TRX 1C Composite 27.5" WheelSystem
HUBS	Giant TRX, [F] 15mm [R] 12x142mm
SPOKES	Sapim Race
TIRES	[F] Schwalbe Nobby Nic, 27.5x2.25", EVO, Snakeskin, Trailstar, TL Ready [R] Nobby Nic, 27.5x2.25", EVO, Snakeskin, Pacestar, TL Ready



FRAME GEOMETRY

SIZE	PART NUMBER	HEAD ANGLE	SEAT ANGLE*	TOP TUBE**	HEAD TUBE	CHAINSTAY	WHEELBASE	STANDOVER HEIGHT***
A	B	C	D	E	F	G	H	
in	Aluminum	deg	deg	in	in	in	in	in
XS/14.5	50033713	67	73.5	21.7	3.9	17.3	43.5	26.7
S/16	50033714	67	73.5	22.4	3.9	17.3	44.3	26.8
M/18	50033715	67	73.5	23.6	3.9	17.3	45.5	28.1
L/20	50033716	67	73.5	24.4	4.7	17.3	46.3	29.7
XL/22	50033717	67	73.5	25.4	5.3	17.3	47.4	30.3

*Seat angle is actual. **Top tube is measured from center of the headtube horizontally back to the top of the effective extension of the seat tube. ***Standover height is based on the largest size tire that will fit the bike, not necessarily the included size tire. Specifications subject to change.

TRANCE 27.5 2

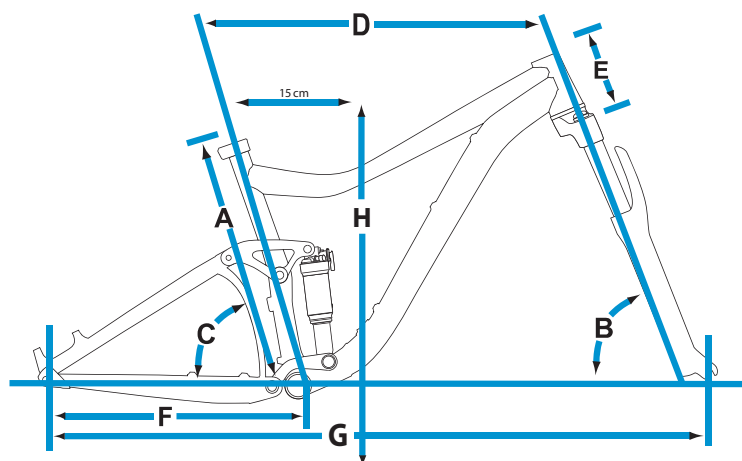


\$2,399



SPECIFICATIONS

FRAME	
SIZES	XS, S, M, L, XL
COLOURS	Matte/Gloss Black/Cyan
FRAME	ALUXX SL-Grade Aluminum, 5.5"/140mm Maestro Suspension
FORK	Fox 32 Float CTD Evolution, 15mm Thru-Axle, OverDrive Steerer, 140mm
SHOCK	Fox CTD Evolution
COMPONENTS	
HANDLEBAR	Giant Contact Trail, 31.8
STEM	Giant Contact
SEATPOST	Giant Contact, 30.9
SADDLE	Giant Contact, Upright
PEDALS	N/A
DRIVETRAIN	
SHIFTERS	Shimano Deore
FRONT DERAILLEUR	Shimano SLX
REAR DERAILLEUR	Shimano SLX, Shadow+
BRAKES	Shimano M615, [F] 180mm [R] 160mm
BRAKE LEVERS	Shimano M615
CASSETTE	Shimano HG50, 11-36, 10-Speed
CHAIN	KMC X10
CRANKSET	Shimano SLX, 24/38
BOTTOM BRACKET	Shimano Press Fit
WHEELS	
RIMS	Giant S-XC 2 27.5"
HUBS	Giant S-XC, [F] 15mm [R] 135x5mm QR
SPOKES	Stainless
TIRES	Schwalbe Nobby Nic, 27.5x2.25", Performance, Folding



FRAME GEOMETRY

SIZE	PART NUMBER	HEAD ANGLE	SEAT ANGLE*	TOP TUBE**	HEAD TUBE	CHAINSTAY	WHEELBASE	STANDOVER HEIGHT***
A	B	C	D	E	F	G	H	
in	Black	deg	deg	in	in	in	in	in
XS/14.5	50033813	67	73.5	21.7	3.9	17.3	43.5	26.7
S/16	50033814	67	73.5	22.4	3.9	17.3	44.3	26.8
M/18	50033815	67	73.5	23.6	3.9	17.3	45.5	28.1
L/20	50033816	67	73.5	24.4	4.7	17.3	46.3	29.7
XL/22	50033817	67	73.5	25.4	5.3	17.3	47.4	30.3

*Seat angle is actual. **Top tube is measured from center of the headtube horizontally back to the top of the effective extension of the seat tube. ***Standover height is based on the largest size tire that will fit the bike, not necessarily the included size tire. Specifications subject to change.

TRANCE 27.5 3

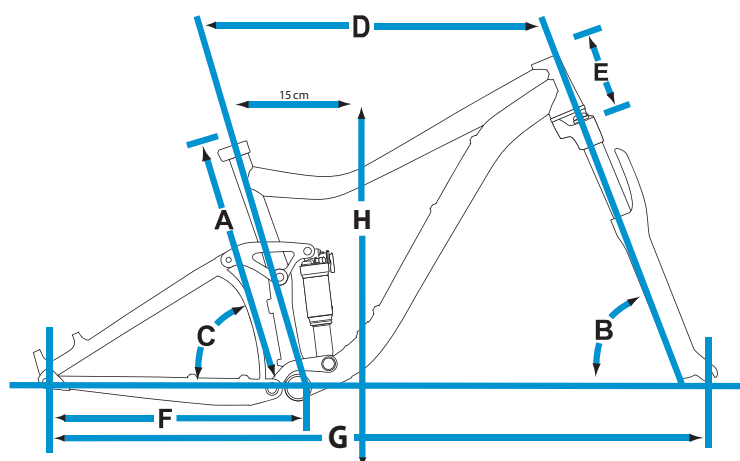


\$1,949



SPECIFICATIONS

FRAME	
SIZES	XS, S, M, L, XL
COLOURS	Dark Silver/Black/Red
FRAME	ALUXX SL-Grade Aluminum, 5.5"/140mm Maestro Suspension
FORK	RockShox Sektor Silver TK Solo Air, 15mm Thru-Axle, OverDrive Steerer, 140mm
SHOCK	RockShox Monarch R
COMPONENTS	
HANDLEBAR	Giant Connect, 31.8
STEM	Giant Connect
SEATPOST	Giant Connect, 30.9
SADDLE	Giant Contact, Upright
PEDALS	N/A
DRIVETRAIN	
SHIFTERS	Shimano Deore
FRONT DERAILLEUR	Shimano Deore
REAR DERAILLEUR	Shimano Deore, Shadow+
BRAKES	Shimano M395, [F] 180mm, [R] 160mm
BRAKE LEVERS	Shimano M396
CASSETTE	Shimano HG50, 11-36, 10-Speed
CHAIN	KMC X10
CRANKSET	Shimano Deore, 24/38
BOTTOM BRACKET	Shimano Press Fit
WHEELS	
RIMS	Giant S-XC 2 27.5"
HUBS	Giant S-XC, [F] 15mm [R] 135x5mm QR
SPOKES	Stainless
TIRES	Schwalbe Nobby Nic, 27.5x2.25", Wire, Performance



FRAME GEOMETRY

SIZE	PART NUMBER	HEAD ANGLE	SEAT ANGLE*	TOP TUBE**	HEAD TUBE	CHAINSTAY	WHEELBASE	STANDOVER HEIGHT***
A	B	C	D	E	F	G	H	
in	Charcoal Silver	deg	deg	in	in	in	in	in
XS/14.5	50033913	67	73.5	21.7	3.9	17.3	43.5	26.7
S/16	50033914	67	73.5	22.4	3.9	17.3	44.3	26.8
M/18	50033915	67	73.5	23.6	3.9	17.3	45.5	28.1
L/20	50033916	67	73.5	24.4	4.7	17.3	46.3	29.7
XL/22	50033917	67	73.5	25.4	5.3	17.3	47.4	30.3

*Seat angle is actual. **Top tube is measured from center of the headtube horizontally back to the top of the effective extension of the seat tube. ***Standover height is based on the largest size tire that will fit the bike, not necessarily the included size tire. Specifications subject to change.

TRANCE SX 27.5

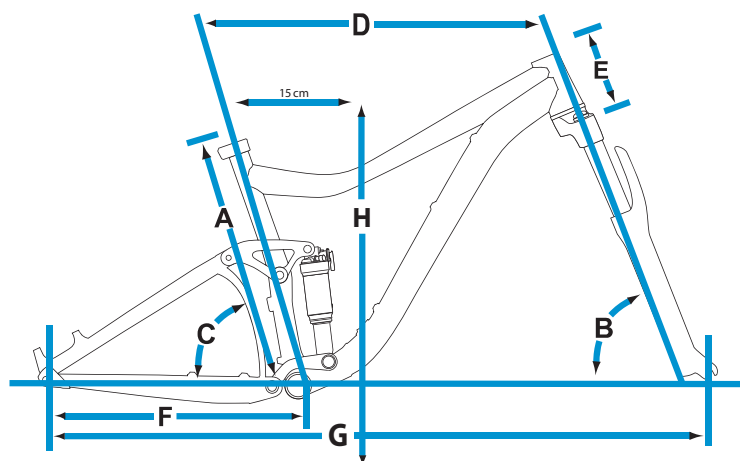


\$3,699



SPECIFICATIONS

FRAME	
SIZES	S, M, L, XL
COLOURS	Grey Green/Black
FRAME	ALUXX SL-Grade Aluminum, 5.5"/140mm Maestro Suspension
FORK	RockShox Pike RC Dual Position Air, 15mm Thru-Axle, OverDrive Steerer, 140-160mm
SHOCK	RockShox Monarch Plus RC3 DebonAir
COMPONENTS	
HANDLEBAR	Giant Contact SL DH, 31.8
STEM	Truvativ Holzfeller
SEATPOST	Giant Contact SL Switch-R, 30.9
SADDLE	Giant Contact, Upright
PEDALS	N/A
DRIVETRAIN	
SHIFTERS	SRAM X1, Trigger
FRONT DERAILLEUR	N/A
REAR DERAILLEUR	SRAM X1, Type-2
BRAKES	SRAM Guide R, [F] 180mm [R] 170mm
BRAKE LEVERS	SRAM Guide R
CASSETTE	SRAM XG1180, 10-42, 11-Speed
CHAIN	KMC X11SL DLC
CRANKSET	SRAM X1, 32
BOTTOM BRACKET	SRAM Press Fit
WHEELS	
RIMS	Giant P-AM2 27.5"
HUBS	Giant Tracker, [F] 15mm [R] 142x12mm
SPOKES	Sapim Race
TIRES	
	[F] Schwalbe Hans Dampf, 27.5x2.35", EVO, Snakeskin, Trailstar [R] Schwalbe Rock Razor, 27.5x2.35", EVO, Snakeskin, Pacestar



FRAME GEOMETRY

SIZE	PART NUMBER	HEAD ANGLE	SEAT ANGLE*	TOP TUBE**	HEAD TUBE	CHAINSTAY	WHEELBASE	STANDOVER HEIGHT***
A	B	C	D	E	F	G	H	
in	Grayish Green	deg	deg	in	in	in	in	in
S/16	50034314	66	72.5	22.4	3.9	17.3	44.6	27.4
M/18	50034315	66	72.5	23.6	3.9	17.3	45.8	28.7
L/20	50034316	66	72.5	24.4	4.7	17.3	46.7	30.3
XL/22	50034317	66	72.5	25.4	5.3	17.3	47.7	30.9

*Seat angle is actual. **Tuptube is measured from center of the headtube horizontally back to the top of the effective extension of the seattube. ***Standover height is based on the largest size tire that will fit the bike, not necessarily the included size tire. Specifications subject to change.

REIGN ADVANCED 27.5 0 TEAM



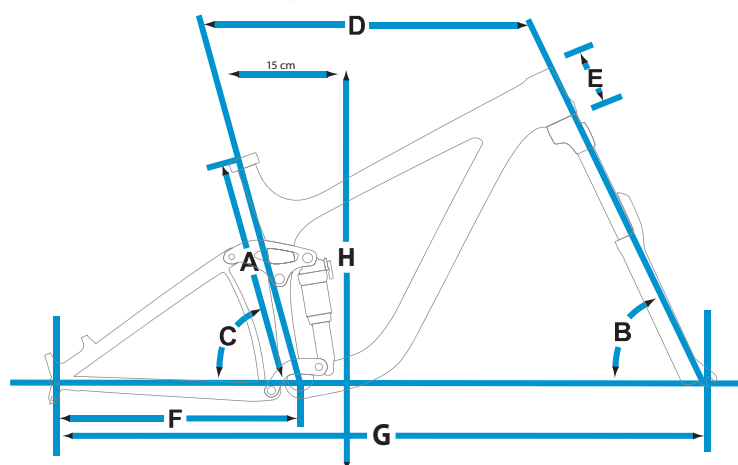
\$7,499



SPECIFICATIONS

FRAME	
SIZES	S, M, L
COLOURS	Composite/Cyan
FRAME	Advanced-Grade Composite, Front Triangle/ ALUXX SL-Grade Rear Triangle, 6.3"/160mm Maestro Suspension
FORK	RockShox Pike RCT3 Dual Position Air, 15mm Thru-Axle, Giant Custom 46mm Offset, 130-160mm
SHOCK	RockShox Monarch Plus RC3 DebonAir
COMPONENTS	
HANDLEBAR	Truvativ Boobar BlackBox, 31.8
STEM	Truvativ Holzfeller
SEATPOST	RockShox Reverb Stealth, 30.9
SADDLE	Fizik Tundra M3 w/ K:i:um Rails
PEDALS	N/A
DRIVETRAIN	
SHIFTERS	SRAM XX1, Trigger
FRONT DERAILLEUR	N/A
REAR DERAILLEUR	SRAM XX1, Type-2
BRAKES	SRAM Guide RSC, [F] 200mm [R] 180mm
BRAKE LEVERS	SRAM Guide RSC
CASSETTE	SRAM XG1195, 10-42, 11-Speed
CHAIN	KMC X11SL DLC
CRANKSET	SRAM XX1 Carbon, 32 w/ MRP AMG (Carbon Backplate)
BOTTOM BRACKET	SRAM Press Fit
WHEELS	
RIMS	DT Swiss Spline XM 1501 WheelSystem
HUBS	[F] 15mm, [R] 142x12mm
SPOKES	DT Swiss

TIRES [F] Schwalbe Magic Mary, 27.5x2.35", SuperGravity, Snakeskin, Trail Star w/ Double Defense [R] Schwalbe Hans Dampf, 27.5x2.35", EVO, Snakeskin, Pacestar w/ Double Defense



FRAME GEOMETRY

SIZE	PART NUMBER	HEAD ANGLE	SEAT ANGLE*	TOP TUBE**	HEAD TUBE	CHAINSTAY	WHEELBASE	STANDOVER HEIGHT***
A		B	C	D	E	F	G	H
in	Comp/Cyan	deg	deg	in	in	in	in	in
S/16	50033514	65	73	23	3.7	17.1	45.6	28.2
M/18	50033515	65	73	24.4	3.7	17.1	46.9	28.1
L/20	50033516	65	73	25.2	4.5	17.1	47.9	28.8

*Seat angle is actual. **Tubetube is measured from center of the headtube horizontally back to the top of the effective extension of the seattube. ***Standover height is based on the largest size tire that will fit the bike, not necessarily the included size tire. Specifications subject to change.

REIGN ADVANCED 27.5 1



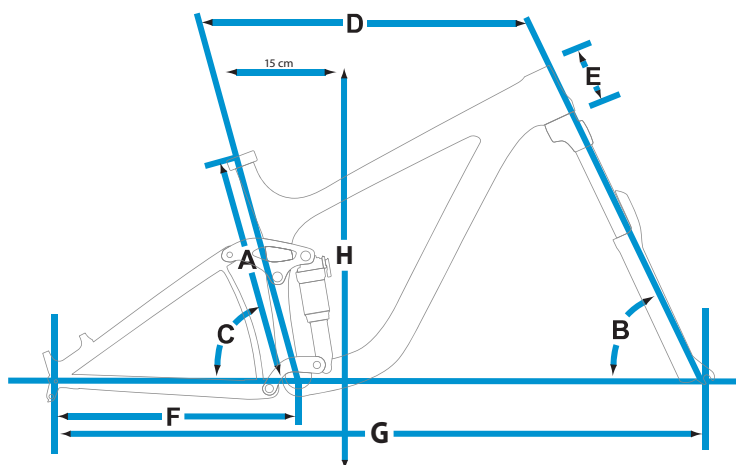
\$4,199



SPECIFICATIONS

FRAME	
SIZES	S, M, L, XL
COLOURS	Green/Yellow
FRAME	Advanced-Grade Composite, Front Triangle/ ALUXX SL-Grade Rear Triangle, 6.3"/160mm Maestro Suspension
FORK	RockShox Pike RC Dual Position Air, 15mm Thru-Axle, Giant Custom 46mm Offset, 130-160mm
SHOCK	RockShox Monarch Plus RC DebonAir
COMPONENTS	
HANDLEBAR	Giant Contact SL DH, 31.8
STEM	Truvativ Holzfeller
SEATPOST	RockShox Reverb Stealth, 30.9
SADDLE	Giant Contact, Upright
PEDALS	N/A
DRIVETRAIN	
SHIFTERS	Shimano SLX
FRONT DERAILLEUR	Shimano SLX
REAR DERAILLEUR	Shimano XT, Shadow+
BRAKES	Shimano SLX, [F] 203mm [R] 180mm
BRAKE LEVERS	Shimano SLX
CASSETTE	Shimano HG50, 11-36, 10-Speed
CHAIN	KMC X10
CRANKSET	Shimano SLX, 24/38 w/ MRP 2x Guide (w/ Bash Guard)
BOTTOM BRACKET	Shimano Press Fit
WHEELS	
RIMS	Giant P-AM2 27.5"
HUBS	Giant Tracker, [F] 15mm [R] DT Swiss 350 142x12mm, w/ SRAM Maxle TA
SPOKES	Sapim Race

TIRES [F] Schwalbe Magic Mary, 27.5x2.35", SuperGravity, Snakeskin, Trail Star w/ Double Defense [R] Schwalbe Hans Dampf, 27.5x2.35", EVO, Snakeskin, Pacestar w/ Double Defense



FRAME GEOMETRY

SIZE	PART NUMBER	HEAD ANGLE	SEAT ANGLE*	TOP TUBE**	HEAD TUBE	CHAINSTAY	WHEELBASE	STANDOVER HEIGHT***
A	B	C	D	E	F	G	H	
in	Green	deg	deg	in	in	in	in	in
S/16	50033614	65	73	23	3.7	17.1	45.6	28.2
M/18	50033615	65	73	24.4	3.7	17.1	46.9	28.1
L/20	50033616	65	73	25.2	4.5	17.1	47.9	28.8
XL/22	50033617	65	73	26.2	4.9	17.1	48.9	29.1

*Seat angle is actual. **Tuptube is measured from center of the headtube horizontally back to the top of the effective extension of the seattube. ***Standover height is based on the largest size tire that will fit the bike, not necessarily the included size tire. Specifications subject to change.

REIGN 27.5 1

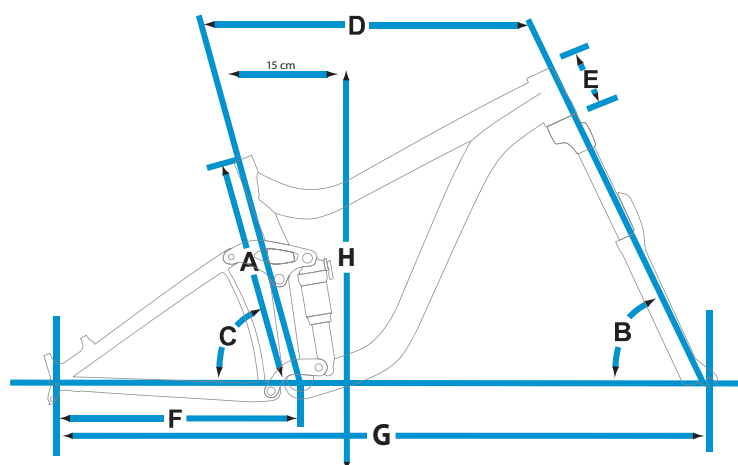


\$5,299



SPECIFICATIONS

FRAME	
SIZES	S, M, L
COLOURS	Orange/Yellow
FRAME	ALUXX SL-Grade Aluminum, 6.3"/160mm Maestro Suspension
FORK	RockShox Pike RCT3 Dual Position Air, 15mm Thru-Axle, Giant Custom 46mm Offset, 130-160mm
SHOCK	RockShox Monarch Plus RC3 DebonAir
COMPONENTS	
HANDLEBAR	Giant Contact SL DH, 31.8
STEM	Truvativ Holzfeller
SEATPOST	RockShox Reverb Stealth, 30.9
SADDLE	Fizik Tundra M5 w/ MG Rails
PEDALS	N/A
DRIVETRAIN	
SHIFTERS	SRAM X1, Trigger
FRONT DERAILLEUR	N/A
REAR DERAILLEUR	SRAM X1, Type-2
BRAKES	SRAM Guide RS, [F] 200mm [R] 180mm
BRAKE LEVERS	SRAM Guide RS
CASSETTE	SRAM XG1180, 10-42, 11-Speed
CHAIN	KMC X11SL DLC
CRANKSET	SRAM X1, 32 w/ MRP AMG
BOTTOM BRACKET	SRAM Press Fit
WHEELS	
RIMS	DT Swiss Spline XM 1501 WheelSystem
HUBS	[F] 15mm, [R] 142x12mm
SPOKES	DT Swiss
TIRES	[F] Schwalbe Magic Mary, 27.5x2.35", SuperGravity, Snakeskin, Trail Star w/ Double Defense [R] Schwalbe Hans Dampf, 27.5x2.35", EVO, Snakeskin, Pacesar w/ Double Defense



FRAME GEOMETRY

SIZE	PART NUMBER	HEAD ANGLE	SEAT ANGLE*	TOP TUBE**	HEAD TUBE	CHAINSTAY	WHEELBASE	STANDOVER HEIGHT***
A	B	C	D	E	F	G	H	
in	Orange	deg	deg	in	in	in	in	in
S/16	50033314	65	73	23	3.7	17.1	45.6	28.2
M/18	50033315	65	73	24.4	3.7	17.1	46.9	28.1
L/20	50033316	65	73	25.2	4.5	17.1	47.9	28.8

*Seat angle is actual. **Tubetube is measured from center of the headtube horizontally back to the top of the effective extension of the seattube. ***Standover height is based on the largest size tire that will fit the bike, not necessarily the included size tire. Specifications subject to change.

REIGN 27.5 2

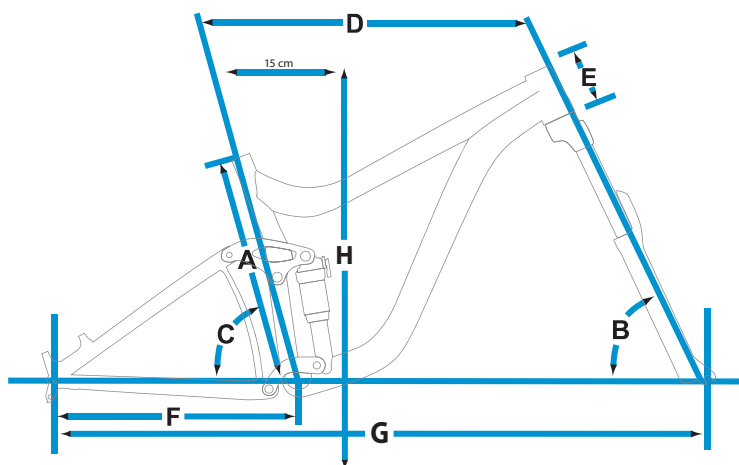


\$2,849



SPECIFICATIONS

FRAME	
SIZES	S, M, L, XL
COLOURS	Charcoal/Teal
FRAME	ALUXX SL-Grade Aluminum, 6.3"/160mm Maestro Suspension
FORK	RockShox Pike RC Solo Air, 15mm Thru-Axle, 160mm Giant Custom 46mm Offset
SHOCK	RockShox Monarch RT DebonAir
COMPONENTS	
HANDLEBAR	Giant Contact SL DH, 31.8
STEM	Truvativ Holzfeller
SEATPOST	Giant Contact SL Switch-R, 30.9
SADDLE	Giant Contact, Upright
PEDALS	N/A
DRIVETRAIN	
SHIFTERS	Shimano Deore
FRONT DERAILLEUR	Shimano Deore
REAR DERAILLEUR	Shimano SLX, Shadow+
BRAKES	Shimano Deore, [F] 203mm [R] 180mm
BRAKE LEVERS	Shimano Deore
CASSETTE	Shimano HG50, 11-36, 10-Speed
CHAIN	KMC X10
CRANKSET	Shimano Deore, 24/38 w/ MRP 2x Guide
BOTTOM BRACKET	Shimano Press Fit
WHEELS	
RIMS	Giant P-AM2 27.5"
HUBS	Giant Tracker, [F] 15mm [R] DT Swiss 350 142x12mm, w/ SRAM Maxle TA
SPOKES	RaceSapim
TIRES	Schwalbe Hans Dampf, 27.5x2.35", Performance, Folding



FRAME GEOMETRY

SIZE	PART NUMBER	HEAD ANGLE	SEAT ANGLE*	TOP TUBE**	HEAD TUBE	CHAINSTAY	WHEELBASE	STANDOVER HEIGHT***
A	B	C	D	E	F	G	H	
in	Charcoal	deg	deg	in	in	in	in	in
S/16	50033414	65	73	23	3.7	17.1	45.6	28.2
M/18	50033415	65	73	24.4	3.7	17.1	46.9	28.1
L/20	50033416	65	73	25.2	4.5	17.1	47.9	28.8
XL/22	50033417	65	73	26.2	4.9	17.1	48.9	29.1

*Seat angle is actual. **Tuptube is measured from center of the headtube horizontally back to the top of the effective extension of the seattube. ***Standover height is based on the largest size tire that will fit the bike, not necessarily the included size tire. Specifications subject to change.

GLORY 27.5 0 TEAM

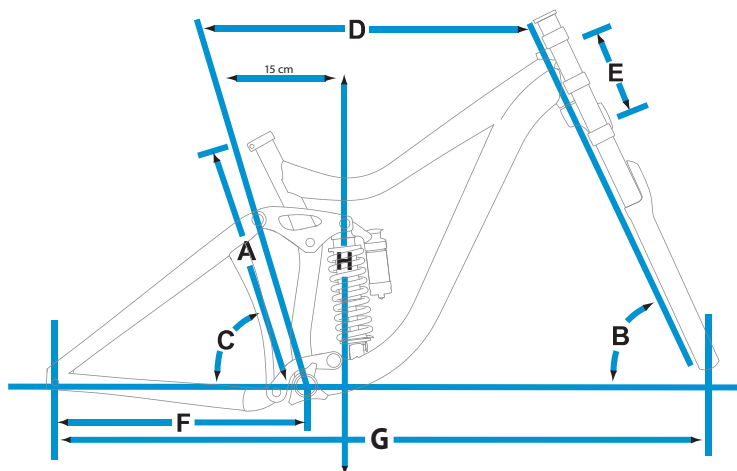


\$5,699



SPECIFICATIONS

FRAME	
SIZES	S, M, L
COLOURS	Brushed Black/Cyan
FRAME	ALUXX SL-Grade Aluminum, 8"/203mm Maestro Suspension
FORK	RockShox Boxxer Team, 200mm
SHOCK	RockShox Vivid R2C
COMPONENTS	
HANDLEBAR	Truvativ Danny Hart BlackBox 31.8
STEM	Giant Contact SL DH, Direct Mount
SEATPOST	Giant Contact SL Zero Offset, 30.9
SADDLE	Fi'zi:k Tundra M5 w/ MG Rails
PEDALS	N/A
DRIVETRAIN	
SHIFTERS	SRAM X01 DH, Trigger
FRONT DERAILLEUR	N/A
REAR DERAILLEUR	SRAM X01 DH, Type-2
BRAKES	SRAM Guide RSC, [F] 200mm [R] 180mm
BRAKE LEVERS	SRAM Guide RSC
CASSETTE	SRAM XG795, 10-24, 7-Speed
CHAIN	KMC X11SL DLC
CRANKSET	SRAM X01 DH Carbon, 34 W/ MRP Micro G3 Carbon
BOTTOM BRACKET	SRAM GXP
WHEELS	
RIMS	DT Swiss EX 471 27.5"
HUBS	DT Swiss 240S, [F] 20mm [R] 150x12mm
SPOKES	DT
TIRES	Schwalbe Magic Mary, 27.5x2.35", EVO, Vertstar



FRAME GEOMETRY

SIZE	PART NUMBER	HEAD ANGLE	SEAT ANGLE*	TOP TUBE**	HEAD TUBE	CHAINSTAY	WHEELBASE	STANDOVER HEIGHT***
A		B	C	D	E	F	G	H
in	Brushed Black	deg	deg	in	in	in	in	in
S/15.5	50032314	63	55.3	22.4	4.1	17.3	47.5	28.3
M/16	50032315	63	63.6	23	4.1	17.3	48	28.4
L/17	50032316	63	63.6	24.4	4.3	17.3	49.5	28.5

*Seat angle is actual. **Tuptube is measured from center of the headtube horizontally back to the top of the effective extension of the seattube. ***Standover height is based on the largest size tire that will fit the bike, not necessarily the included size tire. Specifications subject to change.

GLORY 27.5 1

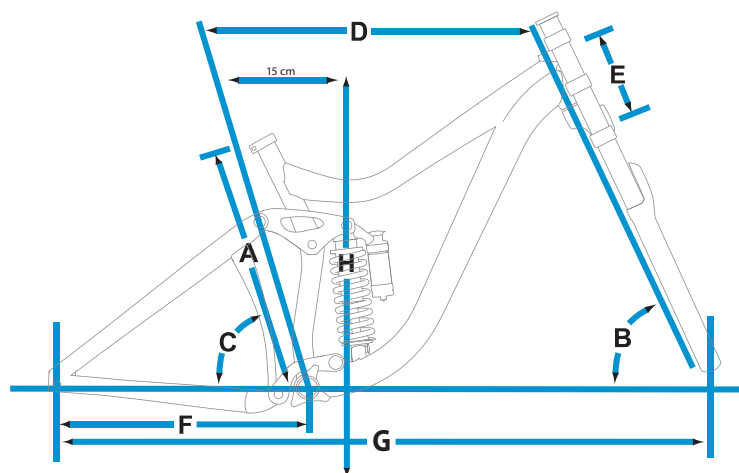


\$3,699



SPECIFICATIONS

FRAME	
SIZES	S, M, L
COLOURS	Black/White/Red
FRAME	ALUXX SL-Grade Aluminum, 8"/203mm Maestro Suspension
FORK	RockShox Boxxer RC, 200mm
SHOCK	RockShox Vivid R2C
COMPONENTS	
HANDLEBAR	Giant Contact SL DH, 31.8
STEM	Giant Contact SL DH, Direct Mount
SEATPOST	Giant Contact SL Zero Offset, 30.9
SADDLE	Giant Contact, Forward
PEDALS	N/A
DRIVETRAIN	
SHIFTERS	Shimano Zee, Trigger
FRONT DERAILLEUR	N/A
REAR DERAILLEUR	Shimano Zee, Shadow+
BRAKES	Shimano Zee, [F] 203mm [R] 180mm
BRAKE LEVERS	Shimano Zee
CASSETTE	SRAM PG1070, 11-26, 10-Speed
CHAIN	KMC X10
CRANKSET	Shimano Zee, 36 w/ MRP G3 Mini
BOTTOM BRACKET	Shimano
WHEELS	
RIMS	Giant P-AM2 27.5"
HUBS	Giant PDH, [F] 20mm [R] 150x12mm
SPOKES	Sapim Race
TIRES	Schwalbe Magic Mary, 27.5x2.35", EVO, Vertstar



FRAME GEOMETRY

SIZE	PART NUMBER	HEAD ANGLE	SEAT ANGLE*	TOP TUBE**	HEAD TUBE	CHAINSTAY	WHEELBASE	STANDOVER HEIGHT***
A		B	C	D	E	F	G	H
in	Blue/White	deg	deg	in	in	in	in	in
S/15.5	50031914	63	55.3	22.4	4.1	17.3	47.5	28.3
M/16	50031915	63	63.6	23	4.1	17.3	48	28.4
L/17	50031916	63	63.6	24.4	4.3	17.3	49.5	28.5

*Seat angle is actual. **Tuptube is measured from center of the headtube horizontally back to the top of the effective extension of the seattube. ***Standover height is based on the largest size tire that will fit the bike, not necessarily the included size tire. Specifications subject to change.

GLORY 27.5 2

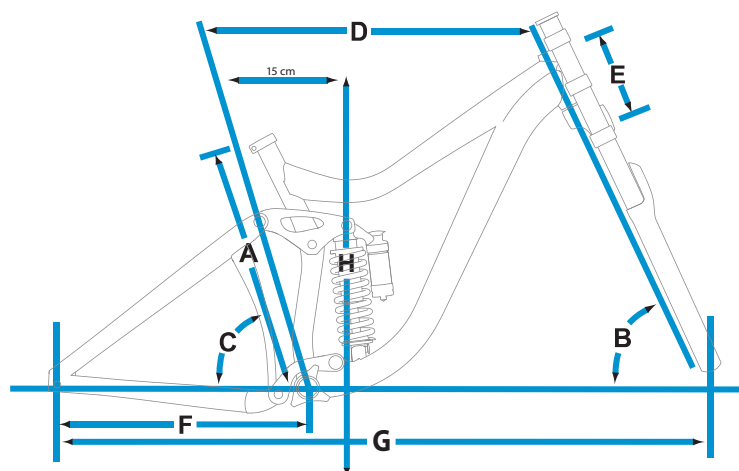


\$2,799



SPECIFICATIONS

FRAME	
SIZES	S, M, L, XL
COLOURS	Deep Blue/Blue/Orange
FRAME	ALUXX SL-Grade Aluminum, 8"/203mm Maestro Suspension
FORK	RockShox Domain RC Dual Crown, 200mm
SHOCK	RockShox Kage R
COMPONENTS	
HANDLEBAR	Giant Contact SL DH, 31.8
STEM	Giant Contact SL DH, Direct Mount
SEATPOST	Giant Contact SL Zero Offset, 30.9
SADDLE	Giant Contact, Forward
PEDALS	N/A
DRIVETRAIN	
SHIFTERS	SRAM X5, Trigger
FRONT DERAILLEUR	N/A
REAR DERAILLEUR	SRAM X5
BRAKES	Avid DB5 Dual Piston, [F] 200mm [R] 180mm
BRAKE LEVERS	Avid DB5
CASSETTE	SRAM PG950, 11-26, 9-Speed
CHAIN	KMC X9
CRANKSET	Truvativ Ruktion, 36 w/ MRP G3 Mini
BOTTOM BRACKET	SRAM Howitzer Team
WHEELS	
RIMS	Giant P-AM2 27.5"
HUBS	Giant PDH, [F] 20mm [R] 150x12mm
SPOKES	Sapim Race
TIRES	Schwalbe Magic Mary, 27.5x2.35", Wire, Performance



FRAME GEOMETRY

SIZE	PART NUMBER	HEAD ANGLE	SEAT ANGLE*	TOP TUBE**	HEAD TUBE	CHAINSTAY	WHEELBASE	STANDOVER HEIGHT***
A		B	C	D	E	F	G	H
in	Peacock	deg	deg	in	in	in	in	in
S/15.5	50032014	63	55.3	22.4	4.1	17.3	47.5	28.3
M/16	50032015	63	63.6	23	4.1	17.3	48	28.4
L/17	50032016	63	63.6	24.4	4.3	17.3	49.5	28.5
XL/17.5	50032017	63	63.6	25	4.3	17.3	50.1	28.7

*Seat angle is actual. **Tuptube is measured from center of the headtube horizontally back to the top of the effective extension of the seattube. ***Standover height is based on the largest size tire that will fit the bike, not necessarily the included size tire. Specifications subject to change.

XTC ADVANCED 27.5 1

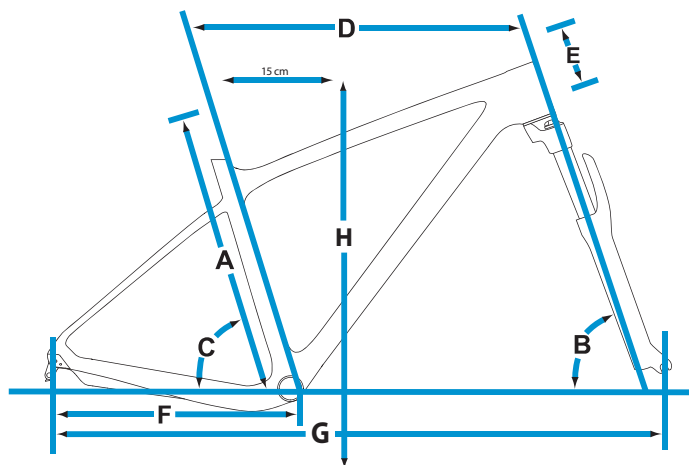


\$3,599



SPECIFICATIONS

FRAME	
SIZES	S, M, L, XL
COLOURS	Matte Composite/Red
FRAME	Advanced-Grade Composite
FORK	Fox 32 Float Factory CTD Remote, 15mm Thru-Axle, OverDrive Steerer, 100mm
SHOCK	N/A
COMPONENTS	
HANDLEBAR	Giant Contact XC, 31.8
STEM	Giant Contact SL
SEATPOST	Giant Contact, Composite, 27.2
SADDLE	Fi'zi'k Tundra M5 w/ MG Rails
PEDALS	N/A
DRIVETRAIN	
SHIFTERS	Shimano XT
FRONT DERAILLEUR	Shimano XT
REAR DERAILLEUR	Shimano XT, Shadow+
BRAKES	Shimano XT
BRAKE LEVERS	Shimano XT
CASSETTE	Shimano HG81, 11-36, 10-Speed
CHAIN	KMC X10
CRANKSET	Shimano XT, 26/38
BOTTOM BRACKET	Shimano Press Fit
WHEELS	
RIMS	Giant P-XCR 1C Composite 27.5" WheelSystem
HUBS	Giant P-XCR, [F] 15mm [R] 142x12mm
SPOKES	Sapim Race
TIRES	Schwalbe Racing Ralph, 27.5x2.1", EVO, Folding, TL Ready



FRAME GEOMETRY

SIZE	PART NUMBER	HEAD ANGLE	SEAT ANGLE*	TOP TUBE**	HEAD TUBE	CHAINSTAY	WHEELBASE	STANDOVER HEIGHT***
A		B	C	D	E	F	G	H
in	Comp/Red	deg	deg	in	in	in	in	in
S/16	50030314	69.5	73.5	22.6	3.7	16.9	42.3	27.8
M/18	50030315	69.5	73	23.4	3.9	16.9	42.8	29.1
L/20	50030316	69.5	73	24.2	4.3	16.9	43.7	30.5
XL/22	50030317	69.5	73	25.2	4.7	16.9	44.6	31.4

*Seat angle is actual. **Tuptube is measured from center of the headtube horizontally back to the top of the effective extension of the seattube. ***Standover height is based on the largest size tire that will fit the bike, not necessarily the included size tire. Specifications subject to change.

XTC ADVANCED 29ER 1



\$2,499



SPECIFICATIONS

FRAME

SIZES	S, M, L, XL
COLOURS	Metallic Blue/Grey
FRAME	Advanced-Grade Composite
FORK	Fox 32 Evolution CTD, 15mm Thru-Axle, OverDrive Steerer, 100mm
SHOCK	N/A

COMPONENTS

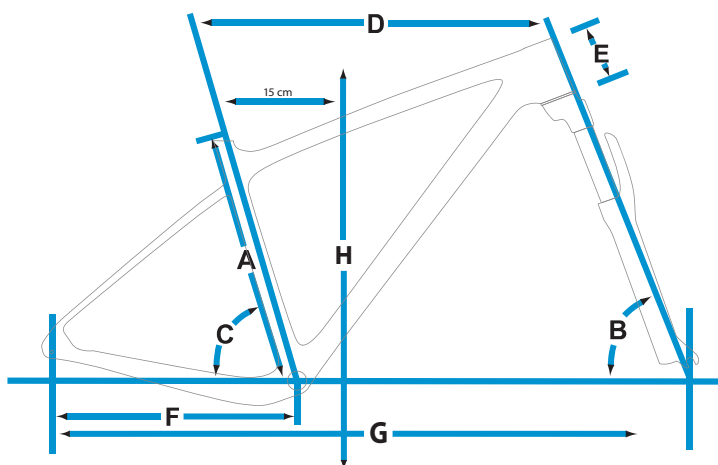
HANDLEBAR	Giant Connect XC, 31.8
STEM	Giant Contact
SEATPOST	Giant Contact, Composite, 30.9
SADDLE	Giant Contact, Forward
PEDALS	N/A

DRIVETRAIN

SHIFTERS	Shimano SLX
FRONT DERAILLEUR	Shimano SLX
REAR DERAILLEUR	Shimano XT, Shadow+
BRAKES	Shimano SLX
BRAKE LEVERS	Shimano SLX
CASSETTE	Shimano HG50, 11-36, 10-Speed
CHAIN	KMC X10
CRANKSET	Shimano XT, 26/38
BOTTOM BRACKET	Shimano Press Fit

WHEELS

RIMS	Giant P-XC 2 29"
HUBS	Giant Tracker, [F] 15mm [R] 135x5mm QR
SPOKES	Sapim Race
TIRES	Schwalbe Racing Ralph, 29x2.1", Folding, Performance



FRAME GEOMETRY

SIZE	PART NUMBER	HEAD ANGLE	SEAT ANGLE*	TOP TUBE**	HEAD TUBE	CHAINSTAY	WHEELBASE	STANDOVER HEIGHT***
A		B	C	D	E	F	G	H
in	Metallic Blue	deg	deg	in	in	in	in	in
S/16	50030614	71	73	22.6	4.1	17.3	41.8	28.5
M/18	50030615	71.5	72.5	23.4	4.1	17.3	42.1	29.6
L/20	50030616	71.5	72	24.2	4.3	17.3	42.7	30.5
XL/22	50030617	71.5	72	25	4.7	17.3	43.5	31.6

*Seat angle is actual. **Tubetype is measured from center of the headtube horizontally back to the top of the effective extension of the seattube. ***Standover height is based on the largest size tire that will fit the bike, not necessarily the included size tire. Specifications subject to change.

XTC ADVANCED 27.5 2



\$2,599



SPECIFICATIONS

FRAME

SIZES	XS, S, M, L, XL
COLOURS	Composite/White/Yellow
FRAME	Advanced-Grade Composite
FORK	Fox 32 Float Evolution CTD Remote, 15mm Thru-Axle, OverDrive Steerer, 100mm
SHOCK	N/A

COMPONENTS

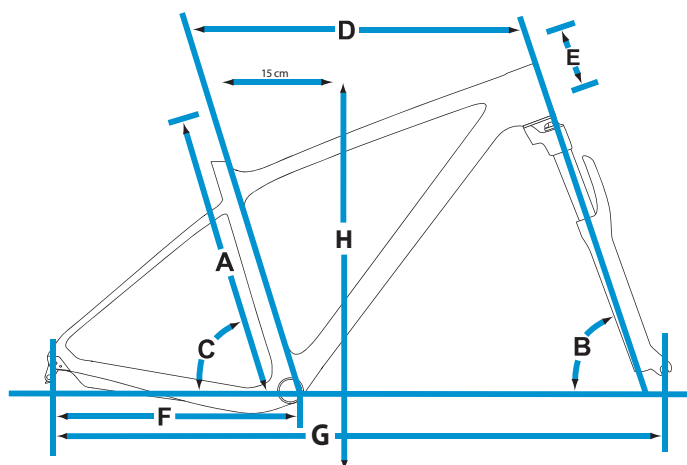
HANDLEBAR	Giant Connect XC, 31.8
STEM	Giant Connect
SEATPOST	Giant Connect, 27.2
SADDLE	Giant Contact, Forward
PEDALS	N/A

DRIVETRAIN

SHIFTERS	Shimano SLX
FRONT DERAILLEUR	Shimano SLX
REAR DERAILLEUR	Shimano XT, Shadow+
BRAKES	Shimano Deore
BRAKE LEVERS	Shimano Deore
CASSETTE	Shimano HG50, 11-36, 10-Speed
CHAIN	KMC X10
CRANKSET	Shimano SLX, 26/38
BOTTOM BRACKET	Shimano Press Fit

WHEELS

RIMS	Giant P-XC 2 27.5"
HUBS	Giant Tracker, [F] 15mm [R] 135x5mm QR
SPOKES	Sapim Race
TIRES	Schwalbe Racing Ralph, 27.5x2.1", Folding, Performance



FRAME GEOMETRY

SIZE	PART NUMBER	HEAD ANGLE	SEAT ANGLE*	TOP TUBE**	HEAD TUBE	CHAINSTAY	WHEELBASE	STANDOVER HEIGHT***
A	B	C	D	E	F	G	H	
in	Comp/Yellow	deg	deg	in	in	in	in	in
XS/14.5	50030423	69.5	73.5	21.9	3.7	16.9	41.5	27.1
S/16	50030424	69.5	73.5	22.6	3.7	16.9	42.3	27.8
M/18	50030425	69.5	73	23.4	3.9	16.9	42.8	29.1
L/20	50030426	69.5	73	24.2	4.3	16.9	43.7	30.5
XL/22	50030427	69.5	73	25.2	4.7	16.9	44.6	31.4

*Seat angle is actual. **Top tube is measured from center of the headtube horizontally back to the top of the effective extension of the seat tube. ***Standover height is based on the largest size tire that will fit the bike, not necessarily the included size tire. Specifications subject to change.

XTC ADVANCED 27.5 3

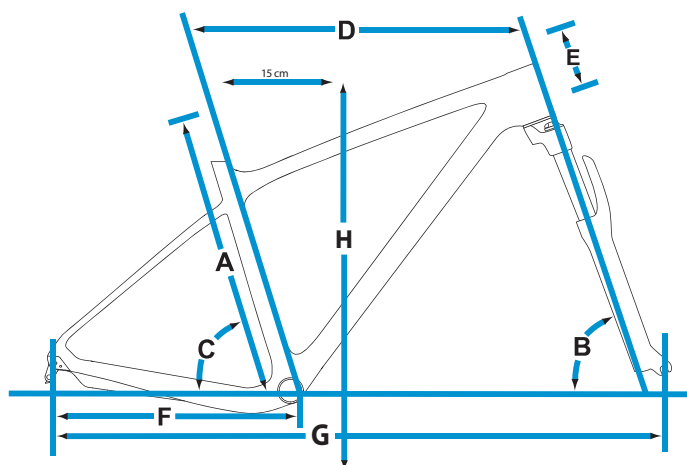


\$2,199



SPECIFICATIONS

FRAME	
SIZES	S, M, L, XL
COLOURS	Matte Dark Silver/Black
FRAME	Advanced-Grade Composite
FORK	RockShox Recon Gold RL, Poploc, 15mm Thru-Axle, OverDrive Steerer, 100mm
SHOCK	N/A
COMPONENTS	
HANDLEBAR	Giant Connect XC, 31.8
STEM	Giant Connect
SEATPOST	Giant Connect, 27.2
SADDLE	Giant Contact, Forward
PEDALS	N/A
DRIVETRAIN	
SHIFTERS	Shimano Deore
FRONT DERAILLEUR	Shimano Deore
REAR DERAILLEUR	Shimano SLX, Shadow+
BRAKES	Shimano M447
BRAKE LEVERS	Shimano M506
CASSETTE	Shimano HG50, 11-36, 10-Speed
CHAIN	KMC X10
CRANKSET	Shimano Deore, 24/38
BOTTOM BRACKET	Shimano Press Fit
WHEELS	
RIMS	Giant S-XC 27.5"
HUBS	Giant Tracker, [F] 15mm [R] 135x5mm QR
SPOKES	Stainless
TIRES	Schwalbe Racing Ralph, 27.5x2.1", Folding, Performance



FRAME GEOMETRY

SIZE	PART NUMBER	HEAD ANGLE	SEAT ANGLE*	TOP TUBE**	HEAD TUBE	CHAINSTAY	WHEELBASE	STANDOVER HEIGHT***
A	B	C	D	E	F	G	H	
in	Silver	deg	deg	in	in	in	in	in
S/16	50030514	69.5	73.5	22.6	3.7	16.9	42.3	27.8
M/18	50030515	69.5	73	23.4	3.9	16.9	42.8	29.1
L/20	50030516	69.5	73	24.2	4.3	16.9	43.7	30.5
XL/22	50030517	69.5	73	25.2	4.7	16.9	44.6	31.4

*Seat angle is actual. **Tubetype is measured from center of the headtube horizontally back to the top of the effective extension of the seattube. ***Standover height is based on the largest size tire that will fit the bike, not necessarily the included size tire. Specifications subject to change.

XTC 27.5 0



\$2,199

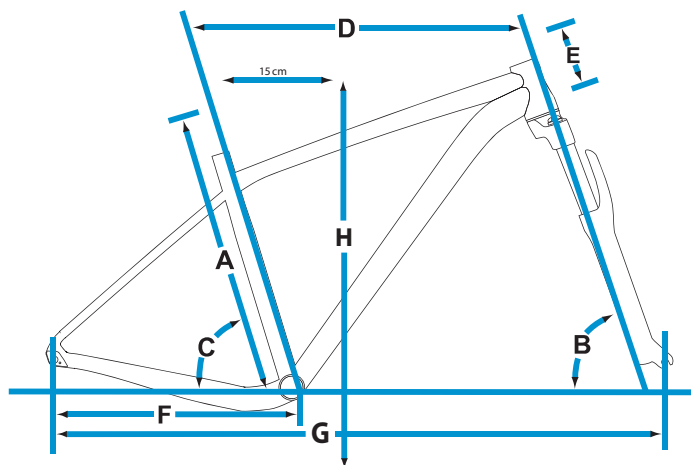
ALUXX SL

OVERDRIVE



SPECIFICATIONS

FRAME	
SIZES	S, M, L
COLOURS	Blue/White/Cyan
FRAME	ALUXX SL-Grade Aluminum
FORK	Fox 32 Evolution CTD Remote, 15mm Thru-Axle, OverDrive Steerer, 100mm
SHOCK	N/A
COMPONENTS	
HANDLEBAR	Giant Connect XC, 31.8
STEM	Giant Contact
SEATPOST	Giant Contact, 27.2
SADDLE	Giant Contact, Forward
PEDALS	N/A
DRIVETRAIN	
SHIFTERS	Shimano XT
FRONT DERAILLEUR	Shimano XT
REAR DERAILLEUR	Shimano XT, Shadow+
BRAKES	Shimano XT
BRAKE LEVERS	Shimano XT
CASSETTE	Shimano HG50, 11-36, 10-speed
CHAIN	KMC X10
CRANKSET	Shimano XT, 26/38
BOTTOM BRACKET	Shimano Press Fit
WHEELS	
RIMS	Giant P-XC 2 27.5"
HUBS	Giant Tracker, [F] 15mm [R] 135x5mm QR
SPOKES	Sapim Race
TIRES	Schwalbe Racing Ralph, 27.5x2.1", Folding, Performance



FRAME GEOMETRY

SIZE	PART NUMBER	HEAD ANGLE	SEAT ANGLE*	TOP TUBE**	HEAD TUBE	CHAINSTAY	WHEELBASE	STANDOVER HEIGHT***
A	B	C	D	E	F	G	H	
in	Blue	deg	deg	in	in	in	in	in
S/16	50030114	69.5	73.5	22.6	3.7	16.9	42.3	27.8
M/18	50030115	69.5	73	23.4	3.9	16.9	42.8	29.1
L/20	50030116	69.5	73	24.2	4.3	16.9	43.7	30.5

*Seat angle is actual. **Tuptube is measured from center of the headtube horizontally back to the top of the effective extension of the seattube. ***Standover height is based on the largest size tire that will fit the bike, not necessarily the included size tire. Specifications subject to change.

XTC 27.5 1



\$1,569

ALUXX SL

OVERDRIVE



SPECIFICATIONS

FRAME

SIZES	S, M, L, XL
COLOURS	Silver/White/Grey
FRAME	ALUXX SL-Grade Aluminum
FORK	RockShox Recon Gold RL, 15mm Thru-Axle, OverDrive Steerer, 100mm
SHOCK	N/A

COMPONENTS

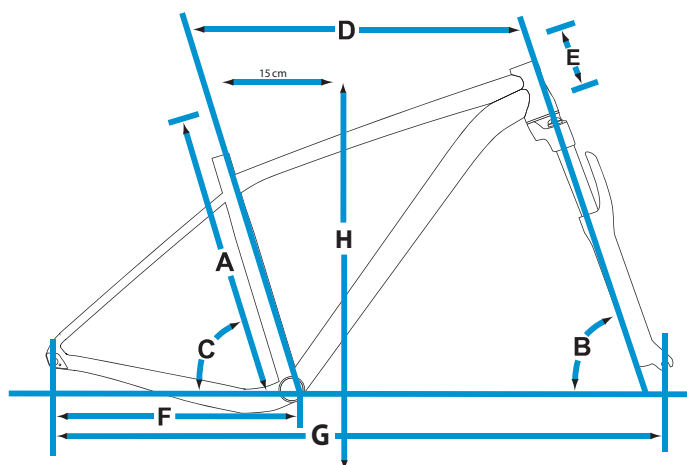
HANDLEBAR	Giant Connect XC, 31.8
STEM	Giant Connect
SEATPOST	Giant Connect, 27.2
SADDLE	Giant Contact, Forward
PEDALS	N/A

DRIVETRAIN

SHIFTERS	Shimano Deore
FRONT DERAILLEUR	Shimano Deore
REAR DERAILLEUR	Shimano SLX, Shadow+
BRAKES	Shimano M395
BRAKE LEVERS	Shimano M396
CASSETTE	Shimano HG50, 11-36, 10-speed
CHAIN	KMC X10
CRANKSET	Shimano Deore, 24/38
BOTTOM BRACKET	Shimano Press Fit

WHEELS

RIMS	Giant S-XC 2 27.5"
HUBS	Giant Tracker, [F] 15mm [R] 135x5mm QR
SPOKES	Stainless
TIRES	Schwalbe Racing Ralph, 27.5x2.1", Wire, Performance



FRAME GEOMETRY

SIZE	PART NUMBER	HEAD ANGLE	SEAT ANGLE*	TOP TUBE**	HEAD TUBE	CHAINSTAY	WHEELBASE	STANDOVER HEIGHT***
A		B	C	D	E	F	G	H
in	Silver	deg	deg	in	in	in	in	in
S/16	50030214	69.5	73.5	22.6	3.7	16.9	42.3	27.8
M/18	50030215	69.5	73	23.4	3.9	16.9	42.8	29.1
L/20	50030216	69.5	73	24.2	4.3	16.9	43.7	30.5
XL/22	50030217	69.5	73	25.2	4.7	16.9	44.6	31.4

*Seat angle is actual. **Tuptube is measured from center of the headtube horizontally back to the top of the effective extension of the seattube. ***Standover height is based on the largest size tire that will fit the bike, not necessarily the included size tire. Specifications subject to change.

TALON 27.5 1



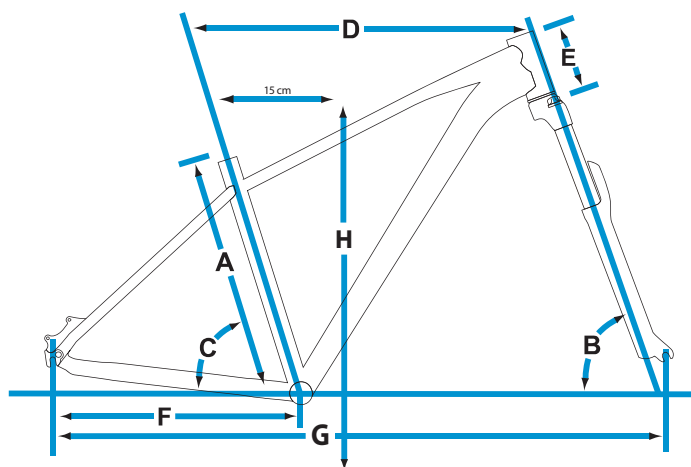
\$1,299

ALUXX
Aluminum Technology



SPECIFICATIONS

FRAME	
SIZES	S, M, L, XL
COLOURS	Matte/Gloss Black
FRAME	ALUXX-Grade Aluminum
FORK	RockShox XC 30 Gold TK Solo Air, Alloy Stanchion, w/ Lock-Out, 100mm
SHOCK	N/A
COMPONENTS	
HANDLEBAR	Giant Connect XC, 31.8
STEM	Giant Connect
SEATPOST	Giant Connect, 30.9
SADDLE	Giant Connect, Upright
PEDALS	Platform MTB
DRIVETRAIN	
SHIFTERS	Shimano Deore
FRONT DERAILLEUR	Shimano Deore
REAR DERAILLEUR	Shimano XT, Shadow
BRAKES	Shimano M355 Hydraulic Disc, 160mm
BRAKE LEVERS	Shimano M355
CASSETTE	Shimano HG50, 11-36, 10-speed
CHAIN	KMC X10
CRANKSET	Shimano M522, 24/32/42
BOTTOM BRACKET	Shimano Cartridge
WHEELS	
RIMS	Giant S-XC 27.5"
HUBS	Giant Tracker Sport, 32h
SPOKES	Stainless
TIRES	Schwalbe Rapid Rob, 27.5x2.25"



FRAME GEOMETRY

SIZE	PART NUMBER	HEAD ANGLE	SEAT ANGLE*	TOP TUBE**	HEADTUBE	CHAINSTAY	WHEELBASE	STANDOVER HEIGHT***
A	B	C	D	E	F	G	H	
in	Black	deg	deg	in	in	in	in	in
S/16	50040114	70	73.5	22.4	4.1	17.3	42	27.9
M/18	50040115	70	73	23.4	4.5	17.3	43	28.9
L/20	50040116	70	73	24.2	5.1	17.3	44	30.4
XL/22	50040117	70	72.5	25.2	5.7	17.3	45	31.8

*Seat angle is actual. **Top tube is measured from center of the headtube horizontally back to the top of the effective extension of the seat tube. ***Standover height is based on the largest size tire that will fit the bike, not necessarily the included size tire. Specifications subject to change.

TALON 27.5 2



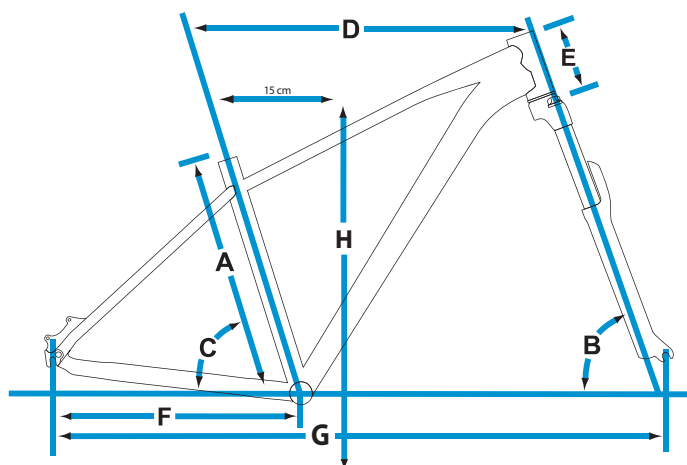
\$1,029

ALUXX
Aluminum technology



SPECIFICATIONS

FRAME	
SIZES	XS, S, M, L, XL
COLOURS	Matte/Gloss Black/White/Blue, White/Blue
FRAME	ALUXX-Grade Aluminum
FORK	RockShox XC 30 TK Coil, Steel Stanchion, w/ Lock-Out, 100mm
SHOCK	N/A
COMPONENTS	
HANDLEBAR	Giant Connect XC, 31.8
STEM	Giant Sport
SEATPOST	Giant Sport, 30.9
SADDLE	Giant Connect, Upright
PEDALS	Platform MTB
DRIVETRAIN	
SHIFTERS	Shimano Deore
FRONT DERAILLEUR	Shimano Deore
REAR DERAILLEUR	Shimano Deore, Shadow
BRAKES	Tektro HDC-M290 Hydraulic Disc, 160mm
BRAKE LEVERS	Tektro HDC-M290
CASSETTE	Shimano HG50, 11-36, 10-speed
CHAIN	KMC X10
CRANKSET	Shimano M522, 24/32/42
BOTTOM BRACKET	Shimano Cartridge
WHEELS	
RIMS	Giant CR70 27.5", Alloy, Double wall
HUBS	Giant Tracker Sport, 32h
SPOKES	Stainless
TIRES	Giant Sport, 27.5x2.1"



FRAME GEOMETRY

SIZE	PART NUMBER	PART NUMBER	HEAD ANGLE	SEAT ANGLE*	TOP TUBE**	HEAD-TUBE	CHAINSTAY	WHEEL-BASE	STANDOVER HEIGHT***
A		B	C	D	E	F	G	H	
in	Black/Blue	White	deg	deg	in	in	in	in	in
XS/14.5	50040213	50040223	69.5	73.5	21.5	3.9	17.3	41	26.9
S/16	50040214	50040224	70	73.5	22.4	4.1	17.3	42	27.9
M/18	50040215	50040225	70	73	23.4	4.5	17.3	43	28.9
L/20	50040216	50040226	70	73	24.2	5.1	17.3	44	30.4
XL/22	50040217	50040227	70	72.5	25.2	5.7	17.3	45	31.8

*Seat angle is actual. **Top tube is measured from center of the headtube horizontally back to the top of the effective extension of the seat tube. ***Standover height is based on the largest size tire that will fit the bike, not necessarily the included size tire. Specifications subject to change.

TALON 27.5 3



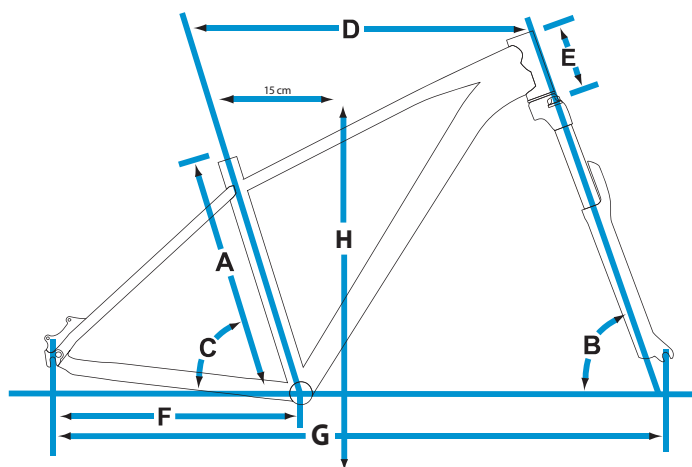
\$659

ALUXX
Aluminum technology



SPECIFICATIONS

FRAME	
SIZES	XS, S, M, L, XL
COLOURS	Matte Black/White/Red
FRAME	ALUXX-Grade Aluminum
FORK	SR Suntour XCM HLO Coil, w/ lockout, 100mm
SHOCK	N/A
COMPONENTS	
HANDLEBAR	Giant Connect XC, 31.8
STEM	Giant Sport
SEATPOST	Giant Sport, 30.9
SADDLE	Giant Connect, Upright
PEDALS	Platform MTB
DRIVETRAIN	
SHIFTERS	Shimano Altus
FRONT DERAILLEUR	Shimano Altus
REAR DERAILLEUR	Shimano Alivio
BRAKES	Tektro HDC-M290 Hydraulic Disc, 160mm
BRAKE LEVERS	Tektro HDC-M290
CASSETTE	Shimano HG20, 11-34, 9-speed
CHAIN	KMC X9
CRANKSET	FSA Dynadrive, 22/32/44
BOTTOM BRACKET	FSA Cartridge
WHEELS	
RIMS	Giant CR70 27.5", Alloy, Double wall
HUBS	Giant Tracker Sport, 32h
SPOKES	Stainless
TIRES	Giant Sport, 27.5x2.1"



FRAME GEOMETRY

SIZE	PART NUMBER	HEAD ANGLE	SEAT ANGLE*	TOP TUBE**	HEADTUBE	CHAINSTAY	WHEELBASE	STANDOVER HEIGHT***
A		B	C	D	E	F	G	H
in	Black/Red	deg	deg	in	in	in	in	in
XS/14.5	50040343	69.5	73.5	21.5	3.9	17.3	41	26.9
S/16	50040344	70	73.5	22.4	4.1	17.3	42	27.9
M/18	50040345	70	73	23.4	4.5	17.3	43	28.9
L/20	50040346	70	73	24.2	5.1	17.3	44	30.4
XL/22	50040347	70	72.5	25.2	5.7	17.3	45	31.8

*Seat angle is actual. **Top tube is measured from center of the headtube horizontally back to the top of the effective extension of the seat tube. ***Standover height is based on the largest size tire that will fit the bike, not necessarily the included size tire. Specifications subject to change.

TALON 27.5 4



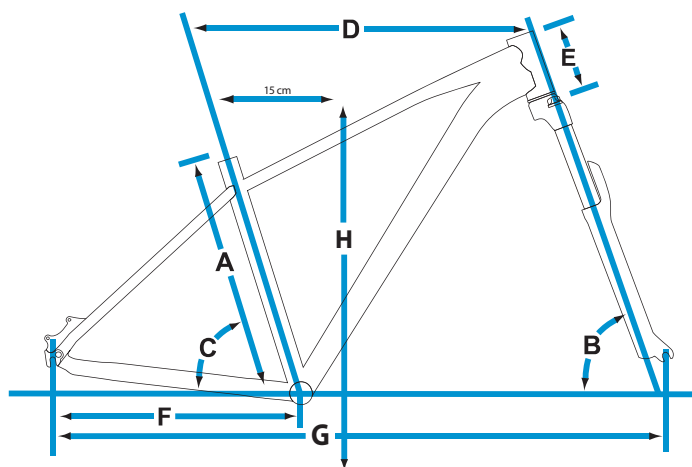
\$589

ALUXX
Aluminum technology



SPECIFICATIONS

FRAME	
SIZES	XS, S, M, L, XL
COLOURS	Matte Blue/Grey, Red/White/Black
FRAME	ALUXX-Grade Aluminum
FORK	SR Suntour XCT HLO, w/ lockout, 100mm
SHOCK	N/A
COMPONENTS	
HANDLEBAR	Giant Connect XC, 31.8
STEM	Giant Sport
SEATPOST	Giant Sport, 30.9
SADDLE	Giant Connect, Upright
PEDALS	Platform MTB
DRIVETRAIN	
SHIFTERS	Shimano Altus
FRONT DERAILLEUR	Shimano Altus
REAR DERAILLEUR	Shimano Acera
BRAKES	Tektro HDC-M290 Hydraulic Disc, 160mm
BRAKE LEVERS	Tektro HDC-M290
CASSETTE	Shimano HG31, 11-34, 8-speed
CHAIN	KMC Z8
CRANKSET	SR Suntour NEX, 24/34/42
BOTTOM BRACKET	SR Suntour Cartridge
WHEELS	
RIMS	Giant CR70 27.5", Alloy, Double wall
HUBS	Giant Tracker Sport, 32h
SPOKES	Stainless
TIRES	Giant Sport, 27.5x2.1"



FRAME GEOMETRY

SIZE	PART NUMBER	PART NUMBER	HEAD ANGLE	SEAT ANGLE*	TOP TUBE**	HEAD-TUBE	CHAINSTAY	WHEEL-BASE	STANDOVER HEIGHT***
A			B	C	D	E	F	G	H
in	Blue	Red	deg	deg	in	in	in	in	in
XS/14.5	50040423	50040413	69.5	73.5	21.5	3.9	17.3	41	26.9
S/16	50040424	50040414	70	73.5	22.4	4.1	17.3	42	27.9
M/18	50040425	50040415	70	73	23.4	4.5	17.3	43	28.9
L/20	50040426	50040416	70	73	24.2	5.1	17.3	44	30.4
XL/22	50040427	50040417	70	72.5	25.2	5.7	17.3	45	31.8

*Seat angle is actual. **Tuptube is measured from center of the headtube horizontally back to the top of the effective extension of the seattube. ***Standover height is based on the largest size tire that will fit the bike, not necessarily the included size tire. Specifications subject to change.

REVEL 1



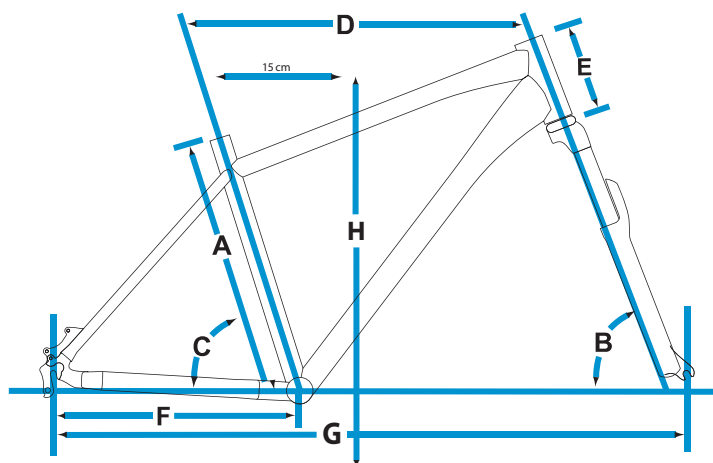
\$499

ALUXX
Aluminum Technology



SPECIFICATIONS

FRAME	
SIZES	XS, S, M, L, XL
COLOURS	White/Blue/Silver
FRAME	ALUXX-Grade Aluminum
FORK	SR Suntour XCT HLO Coil, w/ Lock-Out, 80mm
SHOCK	N/A
COMPONENTS	
HANDLEBAR	Low Rise, 25.4
STEM	Giant Sport
SEATPOST	Giant Sport, 30.9
SADDLE	Giant Connect, Upright
PEDALS	Resin Platform
DRIVETRAIN	
SHIFTERS	Shimano EF51
FRONT DERAILLEUR	Shimano M191
REAR DERAILLEUR	Shimano Acera
BRAKES	Tektro Novela Mechanical Disc, 160mm
BRAKE LEVERS	Shimano EF51
CASSETTE	Shimano HG31, 11-34, 8-speed
CHAIN	KMC Z8
CRANKSET	SR Suntour NEX, 28/38/48
BOTTOM BRACKET	SR Suntour Cartridge
WHEELS	
RIMS	Giant CR70 26", Alloy, Double wall
HUBS	Alloy 32h, Disc
SPOKES	Stainless
TIRES	Giant Sport, 26x2.1"



FRAME GEOMETRY

SIZE	PART NUMBER	HEAD ANGLE	SEAT ANGLE*	TOP TUBE**	HEADTUBE	CHAINSTAY	WHEELBASE	STANDOVER HEIGHT***
A	B	C	D	E	F	G	H	
in	White	deg	deg	in	in	in	in	in
XS/14	50041013	69	72.5	21.3	4.7	16.7	41	28.5
S/16	50041014	69	72.5	22.4	5.1	16.7	42	28.8
M/18	50041015	69	72.5	22.8	5.7	16.7	42	30.2
L/20	50041016	69	72	23.3	6.3	16.7	43	31.4
XL/22	50041017	69	72	24.3	7.1	16.7	44	31.9

*Seat angle is actual. **Top tube is measured from center of the headtube horizontally back to the top of the effective extension of the seat tube. ***Standover height is based on the largest size tire that will fit the bike, not necessarily the included size tire. Specifications subject to change.

REVEL 3

OFF-ROAD
LIFESTYLE
RECREATION



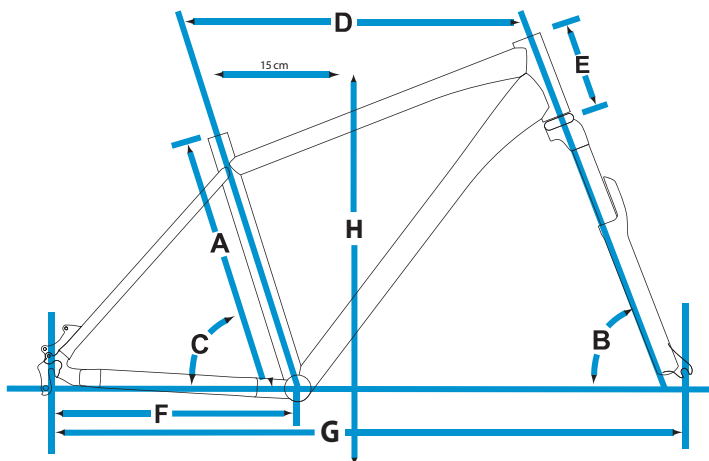
\$419

ALUXX
Aluminum Technology



SPECIFICATIONS

FRAME	
SIZES	XXS, XS, S, M, L, XL
COLOURS	Black/Green/White
FRAME	ALUXX-Grade Aluminum
FORK	SR Suntour M3020, 75mm
SHOCK	N/A
COMPONENTS	
HANDLEBAR	Low Rise, 25.4
STEM	Giant Sport
SEATPOST	Giant Sport, 30.9
SADDLE	Giant Connect, Upright
PEDALS	Resin Platform
DRIVETRAIN	
SHIFTERS	Shimano EF40
FRONT DERAILLEUR	Shimano Tourney
REAR DERAILLEUR	Shimano Tourney
BRAKES	MTB alloy linear pull
BRAKE LEVERS	Shimano EF40
CASSETTE	Shimano TZ31, 14-24, 7-speed
CHAIN	KMC Z51
CRANKSET	SR Suntour NEX, 28/38/48
BOTTOM BRACKET	SR Suntour Cartridge
WHEELS	
RIMS	Giant CH17 26", Alloy
HUBS	32h
SPOKES	Stainless
TIRES	Kenda K892, 26x2.1"



FRAME GEOMETRY

SIZE	PART NUMBER	HEAD ANGLE	SEAT ANGLE*	TOP TUBE**	HEADTUBE	CHAINSTAY	WHEELBASE	STANDOVER HEIGHT***
A	B	C	D	E	F	G	H	
in	Black/Green	deg	deg	in	in	in	in	in
XXS/12.5	50041212	70	75	20.5	4.6	16.7	40	28.1
XS/14	50041213	69	72.5	21.3	4.7	16.7	41	28.5
S/16	50041214	69	72.5	22.4	5.1	16.7	42	28.8
M/18	50041215	69	72.5	22.8	5.7	16.7	42	30.2
L/20	50041216	69	72	23.3	6.3	16.7	43	31.4
XL/22	50041217	69	72	24.3	7.1	16.7	44	31.9

*Seat angle is actual. **Top tube is measured from center of the headtube horizontally back to the top of the effective extension of the seat tube. ***Standover height is based on the largest size tire that will fit the bike, not necessarily the included size tire. Specifications subject to change.



liv

Liv Beyond. 





BIKE INDEX

ON-ROAD

PERFORMANCE

AERO RACE

Envie Advanced Pro

Envie Advanced TRI

Envie Advanced

ENDURANCE

Avail Advanced SL

Avail Advanced Pro

Avail Advanced

Avail

SPORT

FITNESS

Thrive CoMax

Thrive

Alight

LIFESTYLE

CITY

Via W

COMFORT

Cypress W

CRUISER

Simple W

X-ROAD

PERFORMANCE

CYCLOCROSS

Brava SLR

SPORT

ADVENTURE

Invite CoMax

Invite

Rove

LIFESTYLE

COMFORT

Sedona W

OFF-ROAD

PERFORMANCE

RACE/XC

Lust Advanced

Lust

Obsess Advanced

TRAIL/ENDURO

Intrigue

SPORT

XC

Tempt

LIFESTYLE

RECREATION

Enchant



Committed to You.

The Liv logo is a stylized, italicized wordmark in a purple color, positioned in the upper right quadrant of the page.

Liv is a new cycling brand that is dedicated to the female cyclist. We believe that, through cycling, women can push their own limits and discover new possibilities within themselves. To make cycling more approachable and appealing, we are committed to creating the best women's-specific bikes, apparel and gear, along with a welcoming and supportive community.

Liv offers the only comprehensive product collection designed specifically for female cyclists, and it all starts with the bike. There is a team of women behind every Liv bike that is dedicated to providing you with the best cycling experience possible. This momentum continues beyond the bike. Liv's full line of riding apparel and accessories—from helmet to socks—helps you ride in comfort and style. Plus, the community you'll find at your Liv retailer, at local Liv events, and online is an excellent source of motivation and inspiration.

No matter what riding style you enjoy most, Liv helps you discover new possibilities through cycling. Whether your goal is to win a race, start a new fitness routine, or find a fun new way to get around town, we invite you to join us. **#livbeyond**



liv-cycling.com



Liv Beyond. 

CHAMPIONS LIV BEYOND.

By definition, a champion is a person who has defeated or surpassed all rivals in a competition. To Liv, being a champion means much more than that. A champion is somebody who sets a goal and does whatever it takes to reach it. That might mean winning a world championship. It could be competing in a race for the first time ever. Maybe it's improving fitness, or commuting to work every day. Being a champion doesn't always mean crossing the finish line first. Champions challenge themselves with heart, commitment and passion. They push themselves to discover new possibilities. Champions Liv Beyond.

From our professional athletes to the Liv ambassadors who spread the word about something they believe in, we are proud of the champions who choose to ride with Liv.

VOS IS BOSS

She has shown, more than any other cyclist of her generation, what it means to be a champion. At age 27, Marianne Vos already has 13 world titles to her name, along with two Olympic gold medals. And she knows that, in addition to commitment and passion, you need the best equipment to win. That's why the Dutch superstar worked closely with Liv to develop the Envie Advanced, the world's first aerodynamic road bike created specifically for women. The results—sprint wins, breakaway wins, major championships—speak for themselves.

Even with so many impressive performances, what really makes Vos a true champion is her attitude and approach to life. "It's not about the medals or the world championships," Vos says. "It's about the life and how great it is to be able to travel the world and race everywhere. And to be with a fantastic team and to do what you like most."



YOUNG AMBITION

Jolanda Neff was only 6 years old when she lined up for her first XC mountain bike race. She raced her first Swiss Cup Series event when she was 10—and she won. In the years since, Neff, now 21, has won more than 50 Swiss Cup races. She finally started racing internationally a few years ago, and it didn't take long until before she was wearing the rainbow jersey that honors the world champions of our sport.

For the two-time Under-23 world champ, the Liv Obsess Advanced has proven to be the right bike for the job. "I love how the Liv bikes look completely different than all the other professional women's race bikes, because it's a real girl's bike," she says with her trademark enthusiasm. "It has a beautiful color and pattern, and also women's-specific geometry, which is one of the most important points about how a bike performs for women."



PEDAL A REVOLUTION

Shannon Galpin's championship qualities are her bravery, determination and fierce refusal to accept inequality. She is an avid mountain biker and adventurer who is intensely focused on breaking down gender barriers. In 2009, Galpin became the first woman to mountain bike in Afghanistan, a country where the culture does not allow women to ride bikes. She leads a nonprofit organization supported by Liv called Mountain2Mountain, which works to improve the lives of women and girls in regions of conflict.

For nearly a decade, Galpin has worked in Afghanistan to empower women and create new opportunities. She played

a key role in helping to build the first-ever National Women's Cycling Team in Afghanistan with Liv's support, as it makes a bid to qualify for the 2020 Olympic Games. To these women, Galpin is a champion because she helps them realize new possibilities in their lives every day.

"Because of cultural stigmas, cycling is considered controversial for women in Afghanistan," Galpin says. "So just by riding their bikes, and training to be athletes, these women are challenging gender barriers and promoting opportunities in their country."

Learn more at www.mountain2mountain.org





FIT, FORM, FUNCTION

Liv's unique 3F design philosophy ensures that, as a female rider, you are getting the best bike for your riding style. 3F stands for "Fit, Form, Function." These are the elements that guide Liv engineers and designers as they create your bike, apparel and gear. The 3F design philosophy produces the best and most appealing cycling equipment to help all women feel confident and enjoy the ride.

FIT

Liv bikes, apparel and gear are designed specifically for women. Liv's team of female designers and engineers consider all aspects of a woman's unique strengths and physical characteristics to create the only complete product collection designed solely for women. Examples of this include:

- Women's-specific fit based on global body dimension studies
- Optimized stem lengths, handlebar width and drop, and crank arm length
- Shorter brake reach
- Comfortable saddle designed for female pelvis and hip shapes
- Liv ApparelFit System with multiple fit options

FORM

Liv designers understand the importance of creating bikes, gear and apparel pieces that not only meet the highest performance standards, but also have a great look and feel. From crafting the lightest, smoothest riding bikes to designing distinctive color and graphics combinations, the Liv team is committed to providing the highest level of design and aesthetics. Examples include:

- Thoughtfully considered frame design
- Dynamic use of color and graphics to create eye-catching designs
- Color matching between rider gear and bikes
- Flattering cuts and styles in all apparel items
- Application of fashion color trends and patterns

FUNCTION

Liv defines function by how well a product performs in its element. We strive to create lighter, faster, more confidence-inspiring bikes and products for women. Here are some of the ways Liv emphasizes Function:

- Utilizing Giant's world-leading craftsmanship and technology to produce a premium product collection
- 3F layup schedule results in custom, ultra-lightweight frame construction for the unique needs of female riders
- Functional fabrics keep you comfortable and performing at your best
- Women's-specific chamois technology to fit female anatomy



LIV RIGHTFIT PROGRAM: FIND THE PERFECT BIKE

Liv is committed to providing the best products for you and your riding style. The Liv RightFit Program guides you toward the bike style and size that helps you meet your riding goals.

ONE CHART

Consumer-friendly sizing chart allows riders to better understand the ideal Liv bike size, utilizing the chart's simple approach to matching height and bike size.

ONE SIZE

Each bike size applies to the same consumer height regardless of bike category or performance level.

ONE SYSTEM

Our sizing system provides consumers with easy-to-understand sizing designations of XXS, XS, S, M, and L, as opposed to using inches for mountain bikes and centimeters for road bikes.




LIV 27.5 TECHNOLOGY: BEST OF ALL WORLDS.

Liv is dedicated to offering women the best possible off-road cycling experience. The evolution of the 27.5-inch wheel size has led Liv's engineers and athletes to one conclusion: 27.5 is the optimal wheel size for all riding styles and levels of female riders. It combines the most desirable attributes of 26 and 29-inch wheels, giving you a ride that truly delivers the best of all worlds. Liv's entire off-road line-up, from sport-level to elite, features bikes with 27.5-inch wheels.

In comparison to 26 and 29-inch wheel size options, our research shows that 27.5 offers the ideal combination of light weight, efficiency, and control for female riders. Here are the factors that make this wheel size especially ideal for women.

- 1 LIGHTER WEIGHT
- 2 MORE EFFICIENT
- 3 BETTER CONTROL

These three factors combined create the best possible ride quality and bike fit for female riders. The inherent light weight and efficiency of 27.5 gives you the energy to elevate your riding. And 27.5 allows Liv to design our 3F frame geometry to better balance female riders of all heights over the bottom bracket for unparalleled control. It is this balance that truly defines the Liv riding experience.



**Two-time Under-23 World
Champ Jolanda Neff is one of
the top XC racers in the world
on her Liv Obsess Advanced
bike featuring 27.5 technology.**

LIGHTER WEIGHT

The lighter the bike, the less energy and effort you have to exert. Long rides become easier, and you ride faster. 27.5-inch wheels are lighter than 29-inch, and they allow Liv to design lighter frames. Liv's elite athletes benefit from the weight savings, as evidenced by their World Cup wins, and you'll appreciate the lighter weight too!



MORE EFFICIENT

The ability for 27.5-inch wheels to easily roll over obstacles means that you can ride technical trails with less effort and more confidence. Also, 27.5-inch wheels accelerate more quickly than 29-inch, so you use less energy to get rolling. Quick acceleration increases your ability to maintain momentum in rough terrain, up hills, or across flats.

BETTER CONTROL

The optimal tire-to-ground contact patch provided by 27.5-inch wheels improves cornering, acceleration and braking ability. And when combined with Liv's 3F women's specific and 27.5-optimized frame geometry, the 27.5-inch wheel size delivers better control than bikes with 26 or 29-inch wheels. Also, because these 27.5-optimized frames allow for excellent standover clearance and a shorter wheelbase, it's easier for female riders to find their ideal bike fit.



DISCOVER YOUR PASSION.

On-road, off-road, maybe a mix of both. Whatever route you choose, Liv provides the perfect bike for your journey. Get inspired and find your motivation to Liv Beyond.



WHERE DO YOU RIDE?



ON-ROAD

I ride paved roads and paths.



X-ROAD

I ride a mix of dirt and pavement.



OFF-ROAD

I ride singletrack and dirt paths.



ON-ROAD

Speed, power and grace. There are endless roads to follow, and many different ways to enjoy the ride. Whether it's a casual ride with friends or a race to the finish line, make the most of your on-road experience with a Liv bike that's made just for you.



I RIDE TO COMPETE AND TO PUSH MY LIMITS.

- | | |
|-----------|--|
| AERO RACE | Envie Advanced Pro
Envie Advanced TRI
Envie Advanced |
| ENDURANCE | Avail Advanced SL
Avail Advanced Pro
Avail Advanced
Avail |



I RIDE FOR FITNESS AND FREEDOM.

- | | |
|---------|----------------------------------|
| FITNESS | Thrive CoMax
Thrive
Alight |
|---------|----------------------------------|



I RIDE FOR FUN AND FUNCTION.

- | | |
|---------|-----------|
| CITY | Via W |
| COMFORT | Cypress W |
| CRUISER | Simple W |



**Strong
beyond
measure.**



Liv

***Strong
beyond
measure.***



ENVIE ADVANCED PRO 0



\$7,999

Advanced
COMPOSITE TECHNOLOGY

AeroSystem
SHAPING TECHNOLOGY

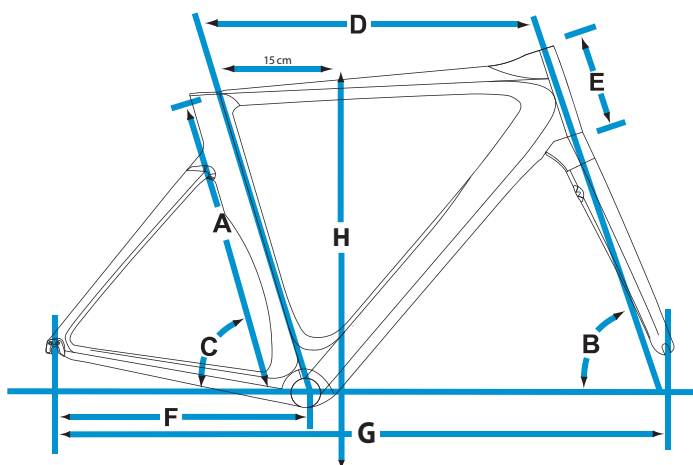
OVERDRIVE2

RS RIDE SENSE



SPECIFICATIONS

FRAME	
SIZES	XS, S, M
COLOURS	Matte/Gloss Composite/Gold
FRAME	Advanced-Grade Composite
FORK	Pro-Spec, Advanced-Grade Composite, Full-Composite OverDrive 2 Steerer
SHOCK	N/A
COMPONENTS	
HANDLEBAR	Giant Contact SLR Aero Integrated
STEM	Giant Contact SLR Aero Integrated
SEATPOST	Carbon Vector Composite
SADDLE	Fi'zi:k Donna w/ Kium Rails
PEDALS	N/A
DRIVETRAIN	
SHIFTERS	Shimano Dura-Ace Di2
FRONT DERAILLEUR	Shimano Dura-Ace Di2
REAR DERAILLEUR	Shimano Dura-Ace Di2
BRAKES	Giant SpeedControl SLR
BRAKE LEVERS	Shimano Dura-Ace Di2
CASSETTE	Shimano Dura-Ace, 11-28, 11-Speed
CHAIN	KMC X11SL
CRANKSET	Shimano Dura-Ace, 34/50
BOTTOM BRACKET	Shimano Press Fit
WHEELS	
RIMS	Giant P-SLR 0 Aero
HUBS	Giant P-SLR 0 Aero
SPOKES	Giant P-SLR 0 Aero
TIRES	Giant P-SL1, 700x23, Front and Rear specific, Folding
EXTRAS	
	RideSense



FRAME GEOMETRY

SIZE	PART NUMBER	HEAD ANGLE	SEAT ANGLE*	TOP TUBE**	HEADTUBE	CHAINSTAY	WHEEL-BASE	STANDOVER HEIGHT***
A	B	C	D	E	F	G	H	
cm	Carbon	deg	deg	cm	cm	cm	cm	cm
XS/46.5	50004212	71	74.5	51.5	13	40.5	97	75.6
S/50.0	50004213	72	73.5	53.2	14.5	40.5	97	77.8
M/52.0	50004214	73	73	55	16	40.5	98	79.5

*Seat angle is actual. **Tuptube is measured from center of the headtube horizontally back to the top of the effective extension of the seattube. ***Standover height is based on the largest size tire that will fit the bike, not necessarily the included size tire. Specifications subject to change.

ENVIE ADVANCED PRO 1



\$4,999

Advanced
COMPOSITE TECHNOLOGY

AeroSystem
SHAPING TECHNOLOGY

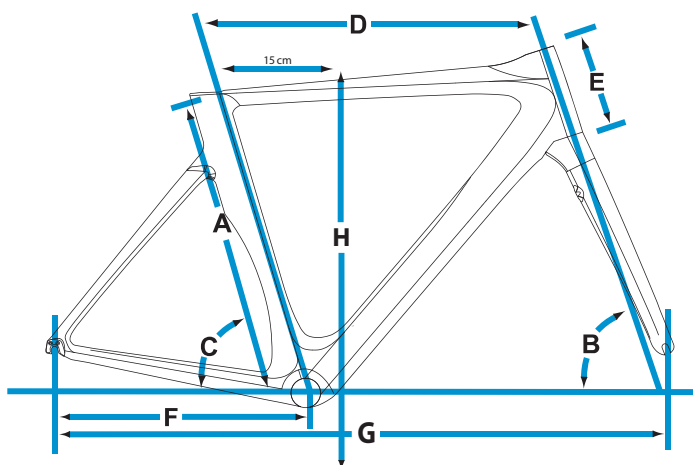
OVERDRIVE2

RS RIDE SENSE



SPECIFICATIONS

FRAME	
SIZES	XXS, XS, S, M
COLOURS	Matte Charcoal/Grey
FRAME	Advanced-Grade Composite
FORK	Pro-Spec, Advanced-Grade Composite, Full-Composite OverDrive 2 Steerer
SHOCK	N/A
COMPONENTS	
HANDLEBAR	Giant Contact SLR Aero, 31.8
STEM	Giant Contact SL
SEATPOST	Carbon Vector Composite
SADDLE	Fi'zi:k Donna w/ MG Rails
PEDALS	N/A
DRIVETRAIN	
SHIFTERS	Shimano Ultegra Di2
FRONT DERAILEUR	Shimano Ultegra Di2
REAR DERAILEUR	Shimano Ultegra Di2
BRAKES	Giant SpeedControl SL
BRAKE LEVERS	Shimano Ultegra
CASSETTE	Shimano Ultegra, 11-28, 11-Speed
CHAIN	KMC X11SL
CRANKSET	Shimano Ultegra, 34/50
BOTTOM BRACKET	Shimano Press Fit
WHEELS	
RIMS	Giant P-SLR 1 Aero
HUBS	Giant P-SLR 1 Aero
SPOKES	Giant P-SLR 1 Aero
TIRES	Giant P-SL1, 700x23, Front and Rear specific, Folding
EXTRAS	
	RideSense



FRAME GEOMETRY

SIZE	PART NUMBER	HEAD ANGLE	SEAT ANGLE*	TOP TUBE**	HEADTUBE	CHAINSTAY	WHEEL-BASE	STANDOVER HEIGHT***
A	B	C	D	E	F	G	H	
cm	Charcoal	deg	deg	cm	cm	cm	cm	cm
XXS/43.0	50004311	70.5	75	50	11	40.5	97	72.9
XS/46.5	50004312	71	74.5	51.5	13	40.5	97	75.6
S/50.0	50004313	72	73.5	53.2	14.5	40.5	97	77.8
M/52.0	50004314	73	73	55	16	40.5	98	79.5

*Seat angle is actual. **Tubtube is measured from center of the headtube horizontally back to the top of the effective extension of the seattube. ***Standover height is based on the largest size tire that will fit the bike, not necessarily the included size tire. Specifications subject to change.

ENVIE ADVANCED (TRI)



\$3,699

Advanced
COMPOSITE TECHNOLOGY

AeroSystem
SHAPING TECHNOLOGY

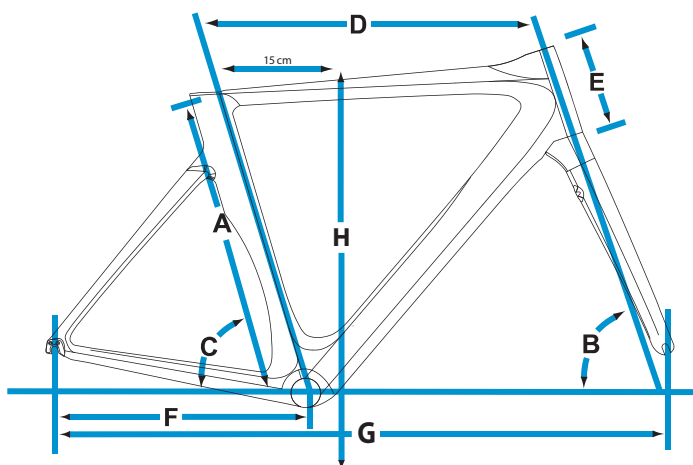
OVERDRIVE

RS
RIDE SENSE



SPECIFICATIONS

FRAME	
SIZES	XXS, XS, S, M
COLOURS	White/Black/Purple/Blue
FRAME	Advanced-Grade Composite
FORK	Advanced-Grade Composite, Alloy OverDrive Steerer
SHOCK	N/A
COMPONENTS	
HANDLEBAR	Giant Contact SLR Aero, 31.8
STEM	Giant Connect
SEATPOST	Carbon Vector Composite
SADDLE	Fi'zi:k Donna w/ MG Rails
PEDALS	N/A
DRIVETRAIN	
SHIFTERS	Shimano Ultegra
FRONT DERAILLEUR	Shimano Ultegra
REAR DERAILLEUR	Shimano Ultegra
BRAKES	Giant SpeedControl
BRAKE LEVERS	Shimano Ultegra
CASSETTE	Shimano Ultegra, 11-28, 11-Speed
CHAIN	KMC X11L
CRANKSET	Shimano Ultegra, 34/50
BOTTOM BRACKET	Shimano Press Fit
WHEELS	
RIMS	Giant P-SLR 1 Aero
HUBS	Giant P-SLR 1 Aero
SPOKES	Giant P-SLR 1 Aero
TIRES	Giant P-R3, 700x23, Front and Rear specific
EXTRAS	



FRAME GEOMETRY

SIZE	PART NUMBER	HEAD ANGLE	SEAT ANGLE*	TOP TUBE**	HEADTUBE	CHAINSTAY	WHEEL-BASE	STANDOVER HEIGHT***
A	B	C	D	E	F	G	H	
cm	White/Black	deg	deg	cm	cm	cm	cm	cm
XXS/43.0	50006211	70.5	75	50	11	40.5	97	72.9
XS/46.5	50006212	71	74.5	51.5	13	40.5	97	75.6
S/50.0	50006213	72	73.5	53.2	14.5	40.5	97	77.8
M/52.0	50006214	73	73	55	16	40.5	98	79.5

*Seat angle is actual. **Tubetube is measured from center of the headtube horizontally back to the top of the effective extension of the seattube. ***Standover height is based on the largest size tire that will fit the bike, not necessarily the included size tire. Specifications subject to change.

Liv Clip-On Aero Bars, Bottle Cages, RideSense

ENVIE ADVANCED 1



\$2,649

Advanced
COMPOSITE TECHNOLOGY

AeroSystem
SHAPING TECHNOLOGY

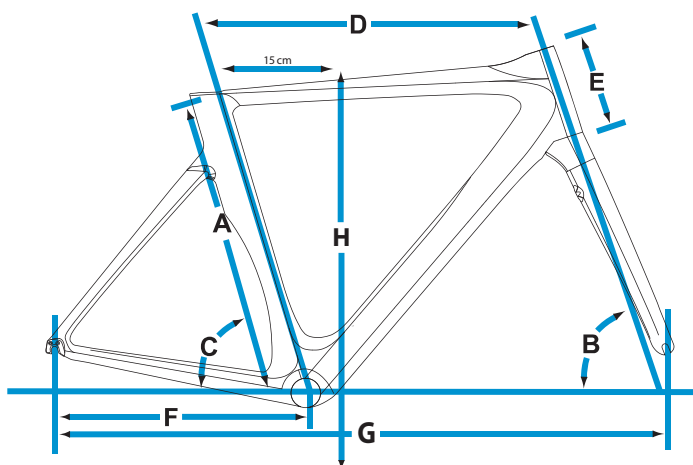
OVERDRIVE

RS RIDE SENSE



SPECIFICATIONS

FRAME	
SIZES	XXS, XS, S, M
COLOURS	Dark Blue/Bright Blue/Bright Green
FRAME	Advanced-Grade Composite
FORK	Advanced-Grade Composite, Alloy OverDrive Steerer
SHOCK	N/A
COMPONENTS	
HANDLEBAR	Giant Contact, 31.8
STEM	Giant Connect
SEATPOST	Carbon Vector Composite
SADDLE	Fi'zi:k Donna w/ MG Rails
PEDALS	N/A
DRIVETRAIN	
SHIFTERS	Shimano Ultegra
FRONT DERAILLEUR	Shimano Ultegra
REAR DERAILLEUR	Shimano Ultegra
BRAKES	Giant SpeedControl
BRAKE LEVERS	Shimano Ultegra
CASSETTE	Shimano Ultegra, 11-28, 11-Speed
CHAIN	KMC X11L
CRANKSET	Shimano Ultegra, 34/50
BOTTOM BRACKET	Shimano Press Fit
WHEELS	
RIMS	Giant P-A2, Double Wall
HUBS	Giant Performance Tracker Road
SPOKES	Sapim Race
TIRES	Giant P-R3, 700x23, Front and Rear specific



FRAME GEOMETRY

SIZE	PART NUMBER	HEAD ANGLE	SEAT ANGLE*	TOP TUBE**	HEADTUBE	CHAINSTAY	WHEEL-BASE	STANDOVER HEIGHT***
A	B	C	D	E	F	G	H	
cm	Dark Blue	deg	deg	cm	cm	cm	cm	cm
XXS/43.0	50004011	70.5	75	50	11	40.5	97	72.9
XS/46.5	50004012	71	74.5	51.5	13	40.5	97	75.6
S/50.0	50004013	72	73.5	53.2	14.5	40.5	97	77.8
M/52.0	50004014	73	73	55	16	40.5	98	79.5

*Seat angle is actual. **Tuptube is measured from center of the headtube horizontally back to the top of the effective extension of the seattube. ***Standover height is based on the largest size tire that will fit the bike, not necessarily the included size tire. Specifications subject to change.

ENVIE ADVANCED 2

\$2,099

Advanced
COMPOSITE TECHNOLOGY

AeroSystem
SHAPING TECHNOLOGY

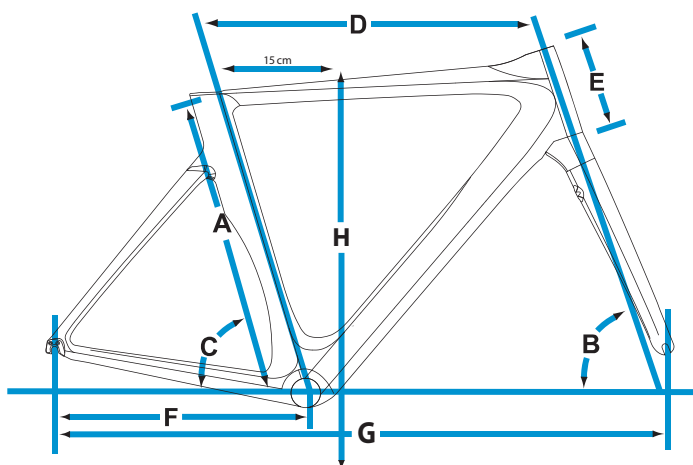
OVERDRIVE

RS RIDE SENSE



SPECIFICATIONS

FRAME	
SIZES	XXS, XS, S, M, L
COLOURS	Matte White/Black/Purple
FRAME	Advanced-Grade Composite
FORK	Advanced-Grade Composite, Alloy OverDrive Steerer
SHOCK	N/A
COMPONENTS	
HANDLEBAR	Giant Contact, 31.8
STEM	Giant Connect
SEATPOST	Carbon Vector Composite
SADDLE	Liv Performance Road
PEDALS	N/A
DRIVETRAIN	
SHIFTERS	Shimano 105
FRONT DERAILLEUR	Shimano 105
REAR DERAILLEUR	Shimano 105
BRAKES	Giant SpeedControl
BRAKE LEVERS	Shimano 105
CASSETTE	Shimano 105, 11-28
CHAIN	KMC X11L
CRANKSET	Shimano RS500, 34/50
BOTTOM BRACKET	Shimano Press Fit
WHEELS	
RIMS	Giant P-A2, Double Wall
HUBS	Giant Performance Tracker Road
SPOKES	Sapim Race
TIRES	Giant P-R3, 700x23, Front and Rear specific



FRAME GEOMETRY

SIZE	PART NUMBER	HEAD ANGLE	SEAT ANGLE*	TOP TUBE**	HEADTUBE	CHAINSTAY	WHEEL-BASE	STANDOVER HEIGHT***
A	B	C	D	E	F	G	H	
cm	White	deg	deg	cm	cm	cm	cm	cm
XXS/43.0	50004111	70.5	75	50	11	40.5	97	72.9
XS/46.5	50004112	71	74.5	51.5	13	40.5	97	75.6
S/50.0	50004113	72	73.5	53.2	14.5	40.5	97	77.8
M/52.0	50004114	73	73	55	16	40.5	98	79.5
L/54.0	50004116	73	72.5	56.5	18	40.5	98.6	81.7

*Seat angle is actual. **Top tube is measured from center of the headtube horizontally back to the top of the effective extension of the seat tube. ***Standover height is based on the largest size tire that will fit the bike, not necessarily the included size tire. Specifications subject to change.

AVAIL ADVANCED SL 1

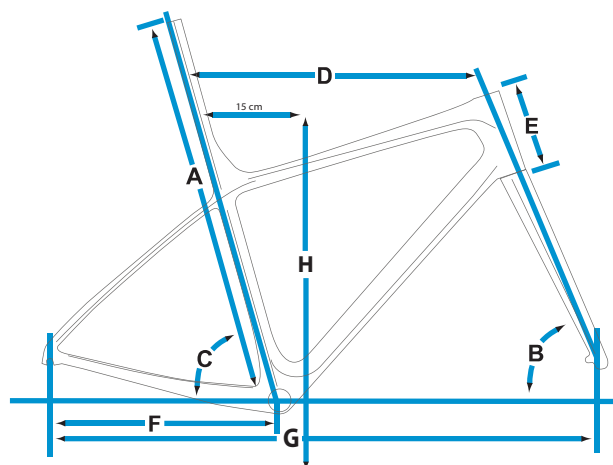


\$4,899



SPECIFICATIONS

FRAME	
SIZES	XS, S, M
COLOURS	Composite/Bright Blue/Red/White
FRAME	Advanced SL-Grade Composite, Integrated Seatpost
FORK	Advanced SL-Grade Composite, Full-Composite OverDrive 2 Steerer
SHOCK	N/A
COMPONENTS	
HANDLEBAR	Giant Contact SL, 31.8
STEM	Giant Contact SL
SEATPOST	N/A
SADDLE	Fi'zi:k Vesta w/ MG Rails
PEDALS	N/A
DRIVETRAIN	
SHIFTERS	Shimano R785
FRONT DERAILLEUR	Shimano Ultegra Di2
REAR DERAILLEUR	Shimano Ultegra Di2
BRAKES	Shimano R785 Hydraulic Disc, 140mm
BRAKE LEVERS	Shimano R785
CASSETTE	Shimano Ultegra, 11-28, 11-Speed
CHAIN	KMC X11SL
CRANKSET	Shimano Ultegra, 34/50
BOTTOM BRACKET	Shimano Press Fit
WHEELS	
RIMS	Giant P-SL0, Disc
HUBS	Giant P-SL0, Disc
SPOKES	Giant P-SL0, Disc
TIRES	Giant P-SLR1, 700x25, Front and Rear specific, Folding
EXTRAS	
	RideSense, 1 ISP Clamp



FRAME GEOMETRY

SIZE	PART NUMBER	HEAD ANGLE	SEAT ANGLE*	TOP TUBE**	HEAD-TUBE	CHAINSTAY	WHEEL-BASE	STANDOVER HEIGHT***
A		B	C	D	E	F	G	H
cm	Carbon	deg	deg	cm	cm	cm	cm	cm
XS/43.0 (ISP 68.0)	50002312	70.5	75	51.5	13.5	42	99.8	67.5
S/46.5 (71.0)	50002313	72	74.5	52.5	15	42	99	70.2
M/50.0 (74.0)	50002314	72	74	54	17	42	100	73.0

*Seat angle is actual. **Tuptube is measured from center of the headtube horizontally back to the top of the effective extension of the seattube. ***Standover height is based on the largest size tire that will fit the bike, not necessarily the included size tire. Specifications subject to change.

AVAIL ADVANCED PRO

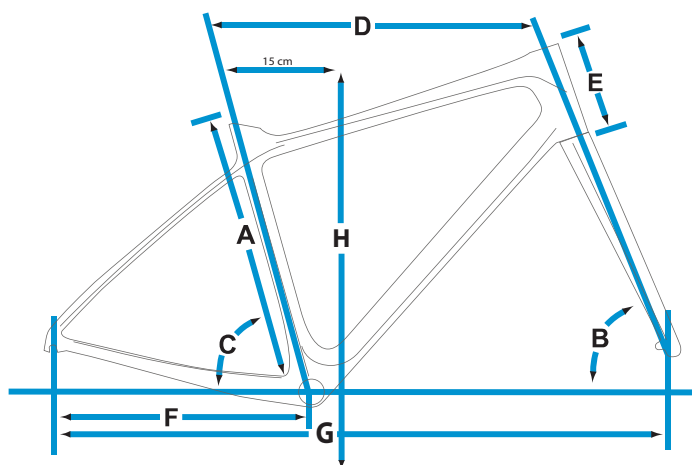


\$3,399



SPECIFICATIONS

FRAME	
SIZES	XS, S, M, L
COLOURS	Matte Composite/Red/Purple/White
FRAME	Advanced-Grade Composite
FORK	Advanced Grade Composite, Full-Composite OverDrive 2 Steerer
SHOCK	N/A
COMPONENTS	
HANDLEBAR	Giant Contact SL
STEM	Giant Contact SL
SEATPOST	Giant D-Fuse SL Composite
SADDLE	Fi'zi:k Vesta w/ MG Rails
PEDALS	N/A
DRIVETRAIN	
SHIFTERS	Shimano Ultegra
FRONT DERAILLEUR	Shimano Ultegra
REAR DERAILLEUR	Shimano Ultegra
BRAKES	Shimano R685 Hydraulic Disc, 140mm
BRAKE LEVERS	Shimano 685
CASSETTE	Shimano Ultegra, 11-32, 11-Speed
CHAIN	KMC X11SL
CRANKSET	Shimano Ultegra, 34/50
BOTTOM BRACKET	Shimano Press Fit
WHEELS	
RIMS	Giant P-SL0, Disc
HUBS	Giant P-SL0, Disc
SPOKES	Giant P-SL0, Disc
TIRES	Giant P-SL1, 700x25, Front and Rear specific, Folding
EXTRAS	
	RideSense



FRAME GEOMETRY

SIZE	PART NUMBER	HEAD ANGLE	SEAT ANGLE*	TOP TUBE**	HEADTUBE	CHAINSTAY	WHEEL-BASE	STANDOVER HEIGHT***
A		B	C	D	E	F	G	H
cm	Carbon	deg	deg	cm	cm	cm	cm	cm
XS/43.0	50002112	70.5	75	51.5	13.5	42	99.8	67.5
S/46.5	50002113	72	74.5	52.5	15	42	99	70.2
M/50.0	50002114	72	74	54	17	42	100	73
L/53.5	50002116	72	74	55.5	19	42	101.6	76.4

*Seat angle is actual. **Top tube is measured from center of the headtube horizontally back to the top of the effective extension of the seat tube. ***Standover height is based on the largest size tire that will fit the bike, not necessarily the included size tire. Specifications subject to change.

AVAIL ADVANCED 1

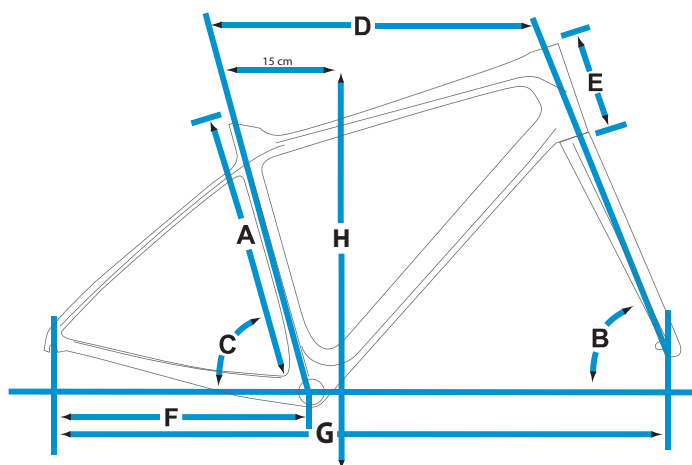


\$2,399



SPECIFICATIONS

FRAME	
SIZES	XS, S, M
COLOURS	White/Silver/Teal
FRAME	Advanced-Grade Composite
FORK	Advanced-Grade Composite, Alloy OverDrive Steerer
SHOCK	N/A
COMPONENTS	
HANDLEBAR	Giant Contact, 31.8
STEM	Giant Connect
SEATPOST	Giant D-Fuse Composite
SADDLE	Liv Contact Forward
PEDALS	N/A
DRIVETRAIN	
SHIFTERS	Shimano Ultegra
FRONT DERAILLEUR	Shimano Ultegra
REAR DERAILLEUR	Shimano Ultegra
BRAKES	TRP Spyre Mechanical Disc, 160mm
BRAKE LEVERS	Shimano Ultegra
CASSETTE	Shimano 105, 11-32, 11-Speed
CHAIN	KMC X11L
CRANKSET	Shimano Ultegra, 34/50
BOTTOM BRACKET	Shimano Press Fit
WHEELS	
RIMS	Giant P-R2, Double Wall, Disc
HUBS	Giant Performance Tracker Road
SPOKES	Sapim Race
TIRES	Giant P-R3, 700x25, Front and Rear specific, Folding



FRAME GEOMETRY

SIZE	PART NUMBER	HEAD ANGLE	SEAT ANGLE*	TOP TUBE**	HEADTUBE	CHAINSTAY	WHEEL-BASE	STANDOVER HEIGHT***
A		B	C	D	E	F	G	H
cm	White	deg	deg	cm	cm	cm	cm	cm
XS/43.0	50001812	70.5	75	51.5	13.5	42	99.8	67.5
S/46.5	50001813	72	74.5	52.5	15	42	99	70.2
M/50.0	50001814	72	74	54	17	42	100	73

*Seat angle is actual. **Tuptube is measured from center of the headtube horizontally back to the top of the effective extension of the seattube. ***Standover height is based on the largest size tire that will fit the bike, not necessarily the included size tire. Specifications subject to change.

AVAIL ADVANCED 2

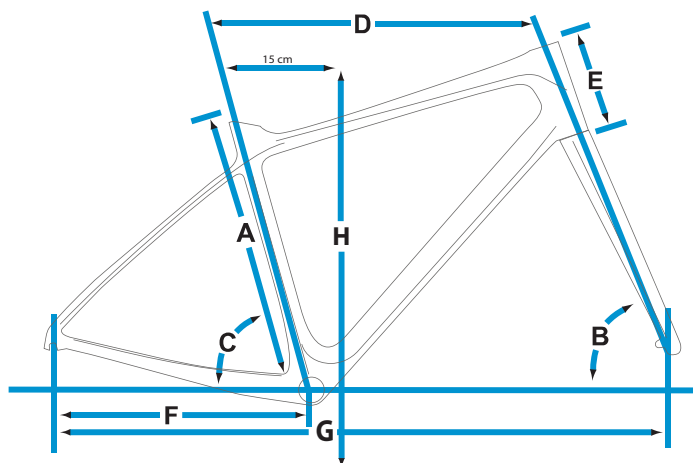


\$1,949



SPECIFICATIONS

FRAME	
SIZES	XXS, XS, S, M, L*
COLOURS	Matte White/Purple/Blue, Matte Dark Blue /Light Blue/White
FRAME	Advanced-Grade Composite
FORK	Advanced-Grade Composite, Alloy OverDrive Steerer
SHOCK	N/A
COMPONENTS	
HANDLEBAR	Giant Contact, 31.8
STEM	Giant Connect
SEATPOST	Giant D-Fuse Composite
SADDLE	Liv Contact Forward
PEDALS	N/A
DRIVETRAIN	
SHIFTERS	Shimano 105
FRONT DERAILLEUR	Shimano 105
REAR DERAILLEUR	Shimano 105
BRAKES	TRP Spyre Mechanical Disc, 160mm
BRAKE LEVERS	Shimano 105
CASSETTE	Shimano 105, 11-32, 11-Speed
CHAIN	KMC X11L
CRANKSET	Shimano RS500, 34/50
BOTTOM BRACKET	Shimano Press Fit
WHEELS	
RIMS	Giant P-R2, Double Wall, Disc
HUBS	Giant Performance Tracker Road
SPOKES	Sapim Race
TIRES	Giant P-R3, 700x25, Front and Rear specific, Folding



FRAME GEOMETRY

SIZE	PART NUMBER	PART NUMBER	HEAD ANGLE	SEAT ANGLE*	TOP TUBE**	HEAD-TUBE	CHAINSTAY	WHEEL-BASE	STANDOVER HEIGHT***
A			B	C	D	E	F	G	H
cm	Pearl White	Dark Blue	deg	deg	cm	cm	cm	cm	cm
XXS/39.5	50001911	50001921	70	75	50	12	42	98.6	64.4
XS/43.0	50001912	50001922	70.5	75	51.5	13.5	42	99.8	67.5
S/46.5	50001913	50001923	72	74.5	52.5	15	42	99	70.2
M/50.0	50001914	50001924	72	74	54	17	42	100	73
L/53.5	50001916	N/A	72	74	55.5	19	42	101.6	76.4

*Seat angle is actual. **Top tube is measured from center of the headtube horizontally back to the top of the effective extension of the seat tube. ***Standover height is based on the largest size tire that will fit the bike, not necessarily the included size tire. Specifications subject to change.

AVAIL ADVANCED 3

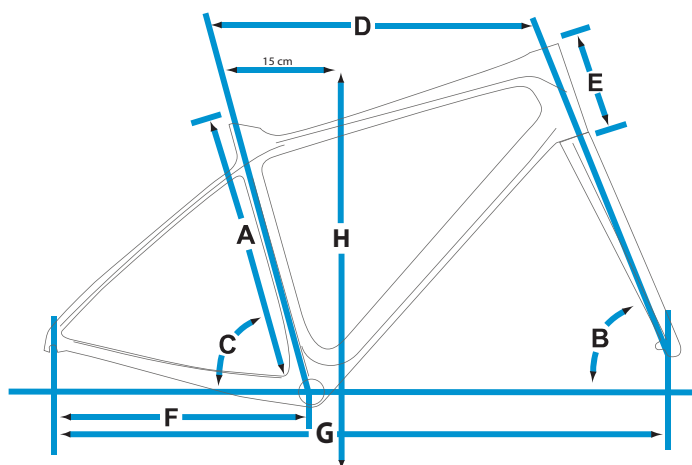


\$1,699



SPECIFICATIONS

FRAME	
SIZES	XXS, XS, S, M
COLOURS	Matte Charcoal/Pink/Silver
FRAME	Advanced-Grade Composite
FORK	Advanced-Grade Composite, Alloy OverDrive Steerer
SHOCK	N/A
COMPONENTS	
HANDLEBAR	Giant Contact, 31.8
STEM	Giant Connect
SEATPOST	Giant D-Fuse Composite
SADDLE	Liv Contact Forward
PEDALS	N/A
DRIVETRAIN	
SHIFTERS	Shimano Tiagra
FRONT DERAILLEUR	Shimano Tiagra
REAR DERAILLEUR	Shimano Tiagra
BRAKES	TRP Spyre Mechanical Disc, 160mm
BRAKE LEVERS	Shimano Tiagra
CASSETTE	Shimano Tiagra, 12-30, 10-Speed
CHAIN	KMC X10L
CRANKSET	Shimano Tiagra, 34/50
BOTTOM BRACKET	Shimano Press Fit
WHEELS	
RIMS	Giant S-R2, Double Wall, Disc
HUBS	Giant Tracker Sport Road
SPOKES	Stainless
TIRES	Giant P-R3, 700x25, Front and Rear specific, Folding



FRAME GEOMETRY

SIZE	PART NUMBER	HEAD ANGLE	SEAT ANGLE*	TOP TUBE**	HEADTUBE	CHAINSTAY	WHEEL-BASE	STANDOVER HEIGHT***
A	B	C	D	E	F	G	H	
cm	Charcoal	deg	deg	cm	cm	cm	cm	cm
XXS/39.5	50002011	70	75	50	12	42	98.6	64.4
XS/43.0	50002012	70.5	75	51.5	13.5	42	99.8	67.5
S/46.5	50002013	72	74.5	52.5	15	42	99	70.2
M/50.0	50002014	72	74	54	17	42	100	73

*Seat angle is actual. **Top tube is measured from center of the headtube horizontally back to the top of the effective extension of the seat tube. ***Standover height is based on the largest size tire that will fit the bike, not necessarily the included size tire. Specifications subject to change.

AVAIL 1

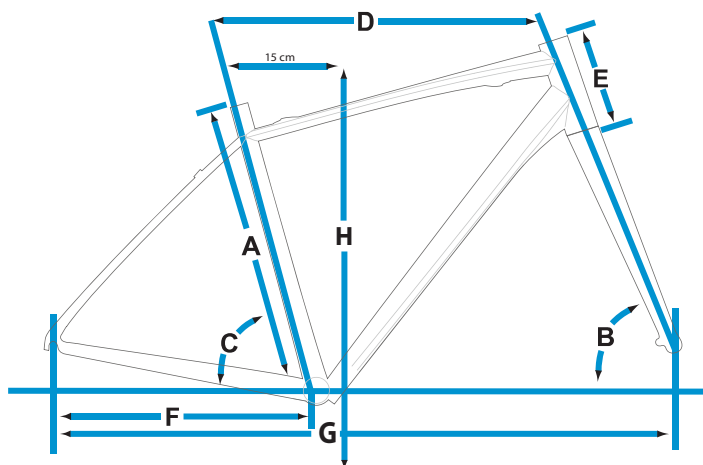


\$1,399



SPECIFICATIONS

FRAME	
SIZES	XXS, XS, S, M, L
COLOURS	Pearl White/Blue, Dark Blue/Pink/White
FRAME	ALUXX SL-Grade Aluminum
FORK	Advanced-Grade Composite, Alloy OverDrive Steerer
SHOCK	N/A
COMPONENTS	
HANDLEBAR	Giant Connect, 31.8
STEM	Giant Sport
SEATPOST	Giant D-Fuse Composite
SADDLE	Liv Connect Forward
PEDALS	Caged w/ Clips
DRIVETRAIN	
SHIFTERS	Shimano 105
FRONT DERAILLEUR	Shimano 105
REAR DERAILLEUR	Shimano 105
BRAKES	Tektro TR540, Dual Pivot
BRAKE LEVERS	Shimano 105
CASSETTE	Shimano 105, 11-32, 11-speed
CHAIN	KMC X11L
CRANKSET	FSA Gossamer Pro, 34/50
BOTTOM BRACKET	Shimano Press Fit
WHEELS	
RIMS	Giant P-R2, Double Wall
HUBS	Giant Performance Tracker Road
SPOKES	Sapim Race
TIRES	Giant P-R3, 700x25, Front and Rear specific, Folding



FRAME GEOMETRY

SIZE	PART NUMBER	PART NUMBER	HEAD ANGLE	SEAT ANGLE*	TOP TUBE**	HEAD-TUBE	CHAINSTAY	WHEEL-BASE	STANDOVER HEIGHT***
A		B	C	D	E	F	G	H	
cm	White	Dark Blue	deg	deg	cm	cm	cm	cm	cm
XXS/39.5	50001411	50001421	70	75	50	12	42	98.6	66.2
XS/43.0	50001412	50001422	70.5	75	51.5	13.5	42	99.8	68.7
S/46.5	50001413	50001423	72	74.5	52.5	15	42	99	71.6
M/50.0	50001414	50001424	72	74	54	17	42	100	74.4
L/53.5	50001416	50001426	72	74	55.5	19	42	101.6	77.2

*Seat angle is actual. **Tuptube is measured from center of the headtube horizontally back to the top of the effective extension of the seattube. ***Standover height is based on the largest size tire that will fit the bike, not necessarily the included size tire. Specifications subject to change.

AVAIL 2

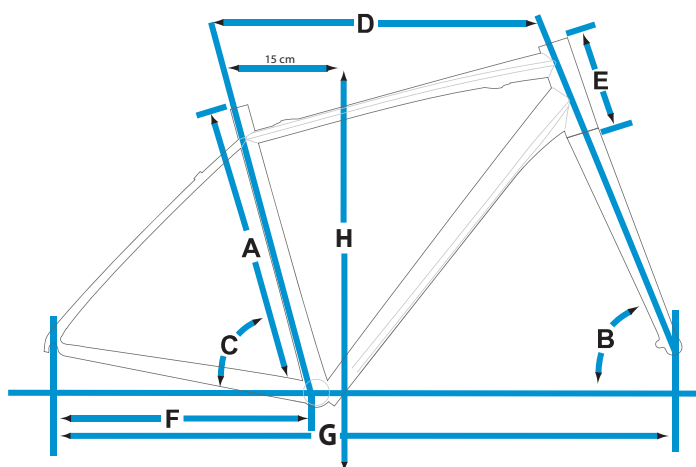


\$1,199



SPECIFICATIONS

FRAME	
SIZES	XXS, XS, S, M, L
COLOURS	Charcoal/Blue/Green
FRAME	ALUXX SL-Grade Aluminum
FORK	Advanced-Grade Composite, Alloy OverDrive Steerer
SHOCK	N/A
COMPONENTS	
HANDLEBAR	Giant Connect, 31.8
STEM	Giant Sport
SEATPOST	Giant D-Fuse Composite
SADDLE	Liv Connect Forward
PEDALS	Caged w/ Clips
DRIVETRAIN	
SHIFTERS	Shimano Tiagra
FRONT DERAILLEUR	Shimano Tiagra
REAR DERAILLEUR	Shimano Tiagra
BRAKES	Tektro R312, Dual Pivot
BRAKE LEVERS	Shimano Tiagra
CASSETTE	Shimano Tiagra, 12-30, 10-Speed
CHAIN	KMC X10
CRANKSET	Shimano Tiagra, 34/50
BOTTOM BRACKET	Shimano Press Fit
WHEELS	
RIMS	Giant S-R2, Double Wall
HUBS	Giant Tracker Sport Road
SPOKES	Stainless
TIRES	Giant S-R4, 700x25, Front and Rear specific, Folding



FRAME GEOMETRY

SIZE	PART NUMBER	HEAD ANGLE	SEAT ANGLE*	TOP TUBE**	HEADTUBE	CHAINSTAY	WHEEL-BASE	STANDOVER HEIGHT***
A		B	C	D	E	F	G	H
cm	Charcoal	deg	deg	cm	cm	cm	cm	cm
XXS/39.5	50001511	70	75	50	12	42	98.6	66.2
XS/43.0	50001512	70.5	75	51.5	13.5	42	99.8	68.7
S/46.5	50001513	72	74.5	52.5	15	42	99	71.6
M/50.0	50001514	72	74	54	17	42	100	74.4
L/53.5	50001516	72	74	55.5	19	42	101.6	77.2

*Seat angle is actual. **Tubetube is measured from center of the headtube horizontally back to the top of the effective extension of the seattube. ***Standover height is based on the largest size tire that will fit the bike, not necessarily the included size tire. Specifications subject to change.

AVAIL 3

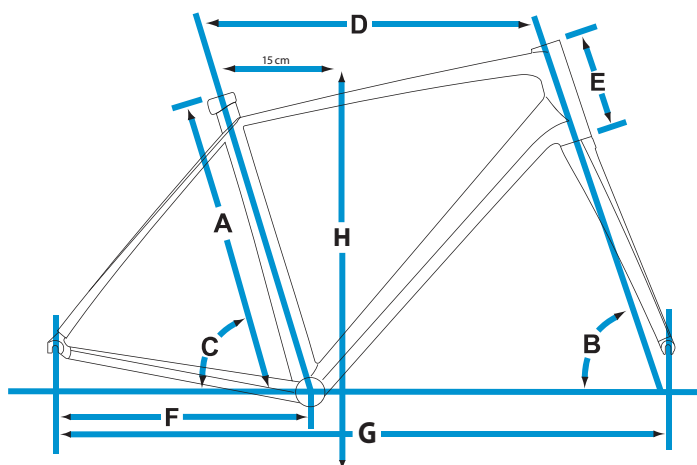


\$989



SPECIFICATIONS

FRAME	
SIZES	XXS, XS, S, M, L
COLOURS	Black/Light Blue/Silver, Matte Turquoise/Citron/White
FRAME	ALUXX-Grade Aluminum
FORK	Advanced-Grade Composite, Alloy OverDrive Steerer
SHOCK	N/A
COMPONENTS	
HANDLEBAR	Giant Connect, 31.8
STEM	Giant Sport
SEATPOST	Giant Sport, 30.9
SADDLE	Liv Connect Forward
PEDALS	Caged w/ Clips
DRIVETRAIN	
SHIFTERS	Shimano Sora
FRONT DERAILLEUR	Shimano Sora
REAR DERAILLEUR	Shimano Sora
BRAKES	Tektro R312, Dual Pivot
BRAKE LEVERS	Shimano Sora
CASSETTE	SRAM PG950, 11-32, 9-Speed
CHAIN	KMC X9
CRANKSET	Shimano Sora, 34/50
BOTTOM BRACKET	Cartridge
WHEELS	
RIMS	Giant S-R2, Double Wall
HUBS	Giant Tracker Sport Road
SPOKES	Stainless
TIRES	Giant S-R4, 700x25, Front and Rear specific, Folding



FRAME GEOMETRY

SIZE	PART NUMBER	PART NUMBER	HEAD ANGLE	SEAT ANGLE*	TOP TUBE**	HEAD-TUBE	CHAINSTAY	WHEEL-BASE	STANDOVER HEIGHT***
A			B	C	D	E	F	G	H
cm	Black	Turquoise	deg	deg	cm	cm	cm	cm	cm
XXS/39.5	50001611	50001621	70	75	50	12	42	98.6	66.2
XS/43.0	50001612	50001622	70.5	75	51.5	13.5	42	99.8	68.7
S/46.5	50001613	50001623	72	74.5	52.5	15	42	99	71.6
M/50.0	50001614	50001624	72	74	54	17	42	100	74.4
L/53.5	50001616	50001626	72	74	55.5	19	42	101.6	77.2

*Seat angle is actual. **Tubetube is measured from center of the headtube horizontally back to the top of the effective extension of the seattube. ***Standover height is based on the largest size tire that will fit the bike, not necessarily the included size tire. Specifications subject to change.

THRIVE COMAX 1

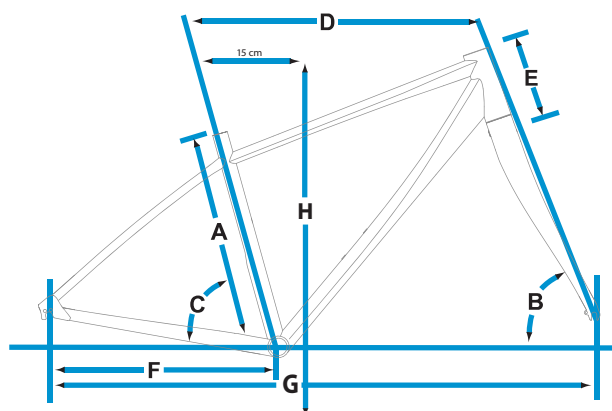


\$1,689



SPECIFICATIONS

FRAME	
SIZES	XS, S, M
COLOURS	Composite/Purple/White
FRAME	CoMax Composite Technology
FORK	Advanced-Grade Composite, ALUXX Steerer
SHOCK	N/A
COMPONENTS	
HANDLEBAR	Giant Connect XC Flat, 31.8
STEM	Giant Connect
SEATPOST	Giant Connect Composite, 27.2
SADDLE	Liv Contact, Forward
PEDALS	N/A
DRIVETRAIN	
SHIFTERS	Shimano RS700
FRONT DERAILLEUR	Shimano 105
REAR DERAILLEUR	Shimano 105
BRAKES	Shimano M355 Hydraulic Disc, 140mm
BRAKE LEVERS	Shimano M355
CASSETTE	Shimano 105, 11-28, 11-speed
CHAIN	KMC X11L
CRANKSET	Shimano RS500, 34/50
BOTTOM BRACKET	Shimano Press Fit
WHEELS	
RIMS	Giant P-R2, Double Wall, Disc
HUBS	Giant Performance Tracker Road
SPOKES	Sapim Race
TIRES	Giant P-R3, 700x28, All-Condition, Puncture Protect
EXTRAS	
Bar Ends	



FRAME GEOMETRY

SIZE	PART NUMBER	HEAD ANGLE	SEAT ANGLE*	TOP TUBE**	HEAD TUBE	CHAINSTAY	WHEEL-BASE	STANDOVER HEIGHT***
A		B	C	D	E	F	G	H
in	Carbon	deg	deg	cm	cm	cm	cm	in
XS/14	50012212	70.5	74.5	52.1	10.4	42.9	101.6	28.8
S/16	50012213	71	74.5	54.1	12.4	42.9	103.4	29.5
M/18	50012214	71	74	55.9	15	42.9	104.9	30.4

*Seat angle is actual. **Tubtube is measured from center of the headtube horizontally back to the top of the effective extension of the seattube. ***Standover height is based on the largest size tire that will fit the bike, not necessarily the included size tire. Specifications subject to change.

THRIVE 0

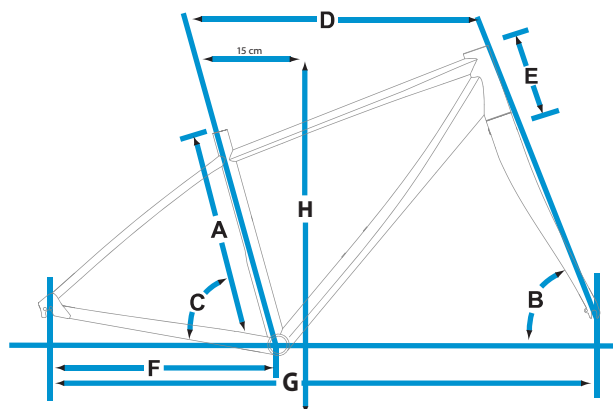


\$1,069



SPECIFICATIONS

FRAME	
SIZES	XS, S, M, L
COLOURS	Silver/Grey/Blue
FRAME	ALUXX-Grade Aluminum
FORK	Giant Composite, Alloy Steerer
SHOCK	N/A
COMPONENTS	
HANDLEBAR	Giant Connect XC Flat, 31.8
STEM	Giant Sport
SEATPOST	Giant D-Fuse Composite
SADDLE	Liv Connect, Forward
PEDALS	Giant Sport
DRIVETRAIN	
SHIFTERS	Shimano RS700
FRONT DERAILLEUR	Shimano 105
REAR DERAILLEUR	Shimano 105
BRAKES	Tektro HDM-M291 Hydraulic Disc, [F] 160mm, [R] 140mm
BRAKE LEVERS	Tektro HDM-291
CASSETTE	Shimano 105, 11-28, 11-speed
CHAIN	KMC X11SL
CRANKSET	Shimano RS500, 34/50
BOTTOM BRACKET	Shimano Cartridge
WHEELS	
RIMS	Giant P-R2, Double Wall, Disc
HUBS	Giant Performance Tracker Road
SPOKES	Sapim Race
TIRES	Giant P-R3, 700x28, All-Condition, Puncture Protect
EXTRAS	
Bar Ends	



FRAME GEOMETRY

SIZE	PART NUMBER	HEAD ANGLE	SEAT ANGLE*	TOP TUBE**	HEAD TUBE	CHAINSTAY	WHEEL-BASE	STANDOVER HEIGHT***
A	B	C	D	E	F	G	H	
in	Silver	deg	deg	cm	cm	cm	cm	in
XS/14	50011822	70.5	75	52	11	44	103.4	26.7
S/16	50011823	71	74.5	53	13.5	44	103.6	27.9
M/18	50011824	71.5	74	55.5	16.5	44	105.2	29.4
L/20	50011826	71.5	74	57	19.5	44	106.8	30.6

*Seat angle is actual. **Tubetube is measured from center of the headtube horizontally back to the top of the effective extension of the seattube. ***Standover height is based on the largest size tire that will fit the bike, not necessarily the included size tire. Specifications subject to change.

THRIVE 1

ON-ROAD
SPORT
CITY

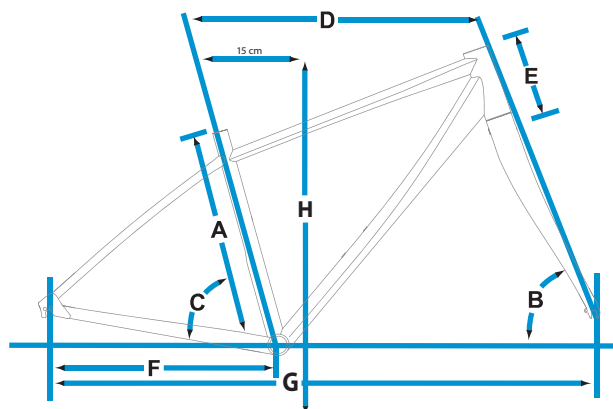


\$869



SPECIFICATIONS

FRAME	
SIZES	XS, S, M, L
COLOURS	Black, Light Blue
FRAME	ALUXX-Grade Aluminum
FORK	Giant Composite, Alloy Steerer
SHOCK	N/A
COMPONENTS	
HANDLEBAR	Giant Connect XC Flat, 31.8
STEM	Giant Sport
SEATPOST	Giant D-Fuse Composite
SADDLE	Liv Connect, Forward
PEDALS	Giant Sport
DRIVETRAIN	
SHIFTERS	Shimano R4600
FRONT DERAILLEUR	Shimano Tiagra
REAR DERAILLEUR	Shimano Tiagra
BRAKES	Tektro HDC-M291 Hydraulic Disc, [F] 160mm, [R] 140mm
BRAKE LEVERS	Tektro HDM-291
CASSETTE	Shimano Tiagra, 12-28, 10-speed
CHAIN	KMC X10SL
CRANKSET	FSA Vero, 34/50
BOTTOM BRACKET	Shimano Cartridge
WHEELS	
RIMS	Giant S-R2, Double Wall, Disc
HUBS	Giant Sport Tracker Road, 32h
SPOKES	Stainless
TIRES	Giant S-R3, 700x28, All-Condition
EXTRAS	
Bar Ends	



FRAME GEOMETRY

SIZE	PART NUMBER	PART NUMBER	HEAD ANGLE	SEAT ANGLE*	TOP TUBE**	HEAD TUBE	CHAINSTAY	WHEEL-BASE	STANDOVER HEIGHT***
A		B	C	D	E	F	G	H	
in	Black	Light Blue	deg	deg	cm	cm	cm	cm	in
XS/14	50012022	50012032	70.5	75	52	11	44	103.4	26.7
S/16	50012023	50012033	71	74.5	53	13.5	44	103.6	27.9
M/18	50012024	50012034	71.5	74	55.5	16.5	44	105.2	29.4
L/20	50012026	50012036	71.5	74	57	19.5	44	106.8	30.6

*Seat angle is actual. **Top tube is measured from center of the headtube horizontally back to the top of the effective extension of the seat tube. ***Standover height is based on the largest size tire that will fit the bike, not necessarily the included size tire. Specifications subject to change.

ALIGHT 1



\$629

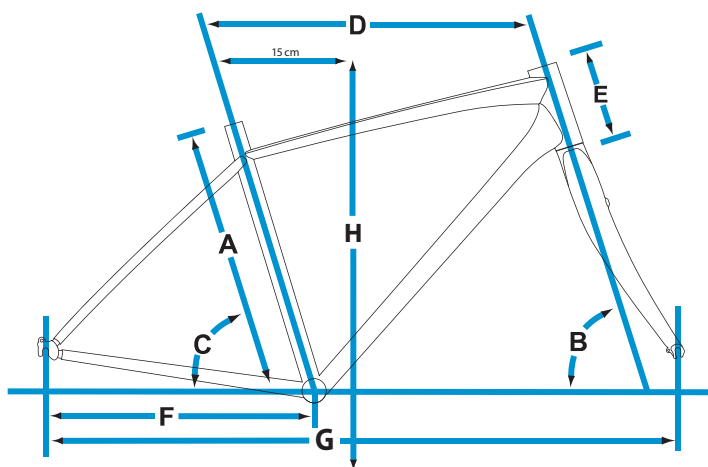
ALUXX
Aluminum technology

COMPACT ROAD



SPECIFICATIONS

FRAME	
SIZES	XS, S, M, L
COLOURS	Matte Charcoal/Silver
FRAME	ALUXX-Grade Aluminum
FORK	Giant Composite, Alloy steerer
SHOCK	N/A
COMPONENTS	
HANDLEBAR	Giant Connect XC Low Rise, 31.8
STEM	Giant Sport
SEATPOST	Giant Sport, 27.2
SADDLE	Liv Connect, Upright
PEDALS	Giant Sport
DRIVETRAIN	
SHIFTERS	Shimano Altus
FRONT DERAILLEUR	Shimano Altus
REAR DERAILLEUR	Shimano Altus
BRAKES	Tektro Alloy
BRAKE LEVERS	Tektro Alloy
CASSETTE	Shimano HG30, 11-34, 9-Speed
CHAIN	KMC X9
CRANKSET	Shimano M391, 26/36/48
BOTTOM BRACKET	Shimano Cartridge
WHEELS	
RIMS	Giant GX02, Alloy, Double Wall
HUBS	Alloy, 32h
SPOKES	Stainless
TIRES	Giant S-X2, 700x32, Puncture Protect



FRAME GEOMETRY

SIZE	PART NUMBER	HEAD ANGLE	SEAT ANGLE*	TOP TUBE**	HEAD TUBE	CHAINSTAY	WHEEL-BASE	STANDOVER HEIGHT***
A	B	C	D	E	F	G	H	
in	Charcoal	deg	deg	cm	cm	cm	cm	in
XS/14	50010112	70	74	54.6	13.5	45.5	106.7	27.9
S/16	50010113	70.5	73.5	55.9	14.5	45.5	107.2	28.5
M/18	50010114	71	73	57.2	15.5	45.5	108	29
L/20	50010116	71	73	58.4	17.5	45.5	109.2	31

*Seat angle is actual. **Tuptube is measured from center of the headtube horizontally back to the top of the effective extension of the seattube. ***Standover height is based on the largest size tire that will fit the bike, not necessarily the included size tire. Specifications subject to change.

ALIGHT 2 CITY



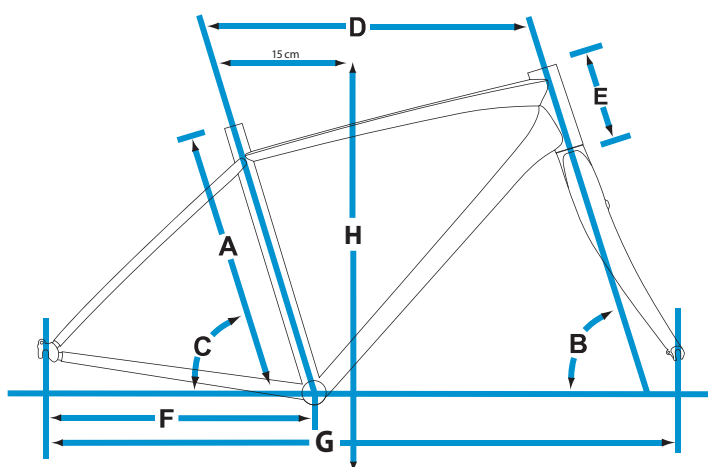
\$549



SPECIFICATIONS

FRAME	
SIZES	XS, S, M, L
COLOURS	Matte Dark Blue
FRAME	ALUXX-Grade Aluminum
FORK	ALUXX-Grade Aluminum
SHOCK	N/A
COMPONENTS	
HANDLEBAR	Giant Connect XC Low Rise, 31.8
STEM	Giant Sport
SEATPOST	Giant Sport, 27.2
SADDLE	Liv Connect, Upright
PEDALS	Giant Sport
DRIVETRAIN	
SHIFTERS	Shimano M310
FRONT DERAILLEUR	Shimano M191
REAR DERAILLEUR	Shimano Altus
BRAKES	Tektro Alloy
BRAKE LEVERS	Tektro Alloy
CASSETTE	SRAM PG830, 11-32, 8-speed
CHAIN	KMC Z72NP
CRANKSET	SR Suntour NEX, 28/38/48
BOTTOM BRACKET	Cartridge
WHEELS	
RIMS	Giant GX02, Alloy, Double Wall
HUBS	Alloy, 32h
SPOKES	Stainless
TIRES	Giant S-X3, 700x32
EXTRAS	

Giant Aluminum Light Trekking Carrier, Fenders, Kickstand



FRAME GEOMETRY

SIZE	PART NUMBER	HEAD ANGLE	SEAT ANGLE*	TOP TUBE**	HEAD TUBE	CHAINSTAY	WHEEL-BASE	STANDOVER HEIGHT***
A		B	C	D	E	F	G	H
in	Dark Blue	deg	deg	cm	cm	cm	cm	in
XS/14	50010522	70	74	54.6	13.5	45.5	106.7	27.9
S/16	50010523	70.5	73.5	55.9	14.5	45.5	107.2	28.5
M/18	50010524	71	73	57.2	15.5	45.5	108	29
L/20	50010526	71	73	58.4	17.5	45.5	109.2	31

*Seat angle is actual. **Tuptube is measured from center of the headtube horizontally back to the top of the effective extension of the seattube. ***Standover height is based on the largest size tire that will fit the bike, not necessarily the included size tire. Specifications subject to change.

ALIGHT 2

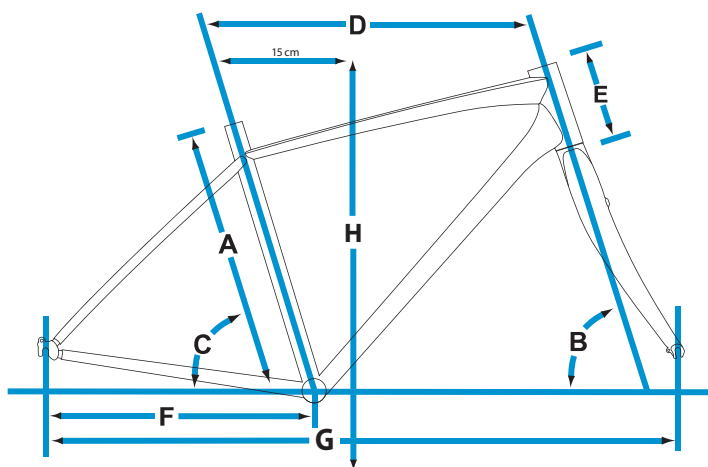


\$499



SPECIFICATIONS

FRAME	
SIZES	XS, S, M, L
COLOURS	White, Dark Purple
FRAME	ALUXX-Grade Aluminum
FORK	ALUXX-Grade Aluminum
SHOCK	N/A
COMPONENTS	
HANDLEBAR	Giant Connect XC Low Rise, 31.8
STEM	Giant Sport
SEATPOST	Giant Sport, 27.2
SADDLE	Liv Connect, Upright
PEDALS	Giant Sport
DRIVETRAIN	
SHIFTERS	Shimano M310
FRONT DERAILLEUR	Shimano M191
REAR DERAILLEUR	Shimano Altus
BRAKES	Tektro Alloy
BRAKE LEVERS	Tektro Alloy
CASSETTE	SRAM PG830, 11-32, 8-speed
CHAIN	KMC Z72
CRANKSET	SR Suntour NEX, 28/38/48
BOTTOM BRACKET	Cartridge
WHEELS	
RIMS	Giant GX02, Alloy, Double Wall
HUBS	Alloy, 32h
SPOKES	Stainless
TIRES	Giant S-X3, 700x32



FRAME GEOMETRY

SIZE	PART NUMBER	PART NUMBER	HEAD ANGLE	SEAT ANGLE*	TOP TUBE**	HEAD TUBE	CHAINSTAY	WHEEL-BASE	STANDOVER HEIGHT***
A		B	C	D	E	F	G	H	
in	White	Dark Purple	deg	deg	cm	cm	cm	cm	in
XS/14	50010412	50010422	70	74	54.6	13.5	45.5	106.7	27.9
S/16	50010413	50010423	70.5	73.5	55.9	14.5	45.5	107.2	28.5
M/18	50010414	50010424	71	73	57.2	15.5	45.5	108	29
L/20	50010416	50010426	71	73	58.4	17.5	45.5	109.2	31

*Seat angle is actual. **Tuptube is measured from center of the headtube horizontally back to the top of the effective extension of the seattube. ***Standover height is based on the largest size tire that will fit the bike, not necessarily the included size tire. Specifications subject to change.

ALIGHT 3

ON-ROAD
SPORT
CITY



\$419

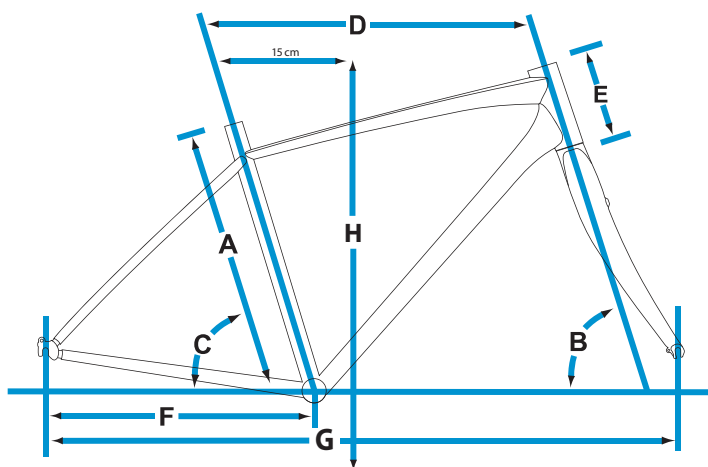
ALUXX
Aluminum Technology

COMPACT ROAD



SPECIFICATIONS

FRAME	
SIZES	XS, S, M, L
COLOURS	Pearl White, Matte Dark Aqua
FRAME	ALUXX-Grade Aluminum
FORK	High-Tensile Steel
SHOCK	N/A
COMPONENTS	
HANDLEBAR	Giant Connect XC Low Rise, 31.8
STEM	Giant Sport
SEATPOST	Giant Sport, 27.2
SADDLE	Liv Connect, Upright
PEDALS	Giant Sport
DRIVETRAIN	
SHIFTERS	Shimano EF40
FRONT DERAILLEUR	Shimano Tourney
REAR DERAILLEUR	Shimano Tourney
BRAKES	Tektro Alloy
BRAKE LEVERS	Shimano EF540
CASSETTE	Shimano TZ31, 14-34, 7-speed
CHAIN	KMC Z51
CRANKSET	Shimano M131, 28/38/48
BOTTOM BRACKET	Shimano Cartridge
WHEELS	
RIMS	Giant GX02, Alloy, Double Wall
HUBS	Alloy, 32h
SPOKES	Stainless
TIRES	Giant S-X3, 700x32



FRAME GEOMETRY

SIZE	PART NUMBER	PART NUMBER	HEAD ANGLE	SEAT ANGLE*	TOP TUBE**	HEAD TUBE	CHAINSTAY	WHEEL-BASE	STANDOVER HEIGHT***
A			B	C	D	E	F	G	H
in	Pearl White	Green	deg	deg	cm	cm	cm	cm	in
XS/14	50010612	50010622	70	74	54.6	13.5	45.5	106.7	27.9
S/16	50010613	50010623	70.5	73.5	55.9	14.5	45.5	107.2	28.5
M/18	50010614	50010624	71	73	57.2	15.5	45.5	108	29
L/20	50010616	50010626	71	73	58.4	17.5	45.5	109.2	31

*Seat angle is actual. **Top tube is measured from center of the headtube horizontally back to the top of the effective extension of the seat tube. ***Standover height is based on the largest size tire that will fit the bike, not necessarily the included size tire. Specifications subject to change.

VIA 1 W

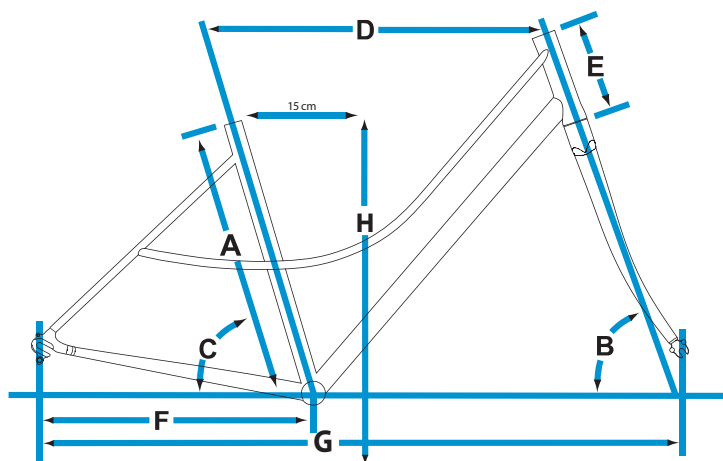
\$599



SPECIFICATIONS

FRAME	
SIZES	XS, S, M
COLOURS	Pearl White/Lavender
FRAME	4130 Butted Chromoly
FORK	4130 Butted Chromoly
SHOCK	N/A
COMPONENTS	
HANDLEBAR	Alloy, Mid Rise, 25.4
STEM	Alloy Quill
SEATPOST	Alloy, 27.2
SADDLE	Liv Classic Rivet
PEDALS	Comfort Platform
DRIVETRAIN	
SHIFTERS	SRAM I-Motion 3, Twist
FRONT DERAILLEUR	N/A
REAR DERAILLEUR	N/A
BRAKES	Alloy, Dual Pivot
BRAKE LEVERS	Alloy Comfort
CASSETTE	SRAM 21, 3-Speed Internal
CHAIN	KMC Z410, RustProof
CRANKSET	Alloy 3-Piece, 44
BOTTOM BRACKET	Cartridge
WHEELS	
RIMS	Giant GX02, Alloy, Double Wall
HUBS	[F] Alloy, [R] SRAM I-Motion 3-Speed internal, 32h
SPOKES	Stainless
TIRES	Giant S-R3, 700x32c, Anti-Puncture
EXTRAS	

Custom Alloy Front Basket w/ Flower Stem Holder, Fenders, Chainguard, Kickstand



FRAME GEOMETRY

SIZE	PART NUMBER	HEAD ANGLE	SEAT ANGLE*	TOP TUBE**	HEADTUBE	CHAINSTAY	WHEEL-BASE	STANDOVER HEIGHT***
A		B	C	D	E	F	G	H
in	Pearl White	deg	deg	cm	cm	cm	cm	in
XS/14	50021912	70	74	54.6	18	45.2	106	22.1
S/16	50021913	71	73.5	56	15.5	45.2	106	22.7
M/18	50021914	71	73.5	57	17.5	45.2	107	23.5

*Seat angle is actual. **Tubtube is measured from center of the headtube horizontally back to the top of the effective extension of the seattube. ***Standover height is based on the largest size tire that will fit the bike, not necessarily the included size tire. Specifications subject to change.

VIA 2 W

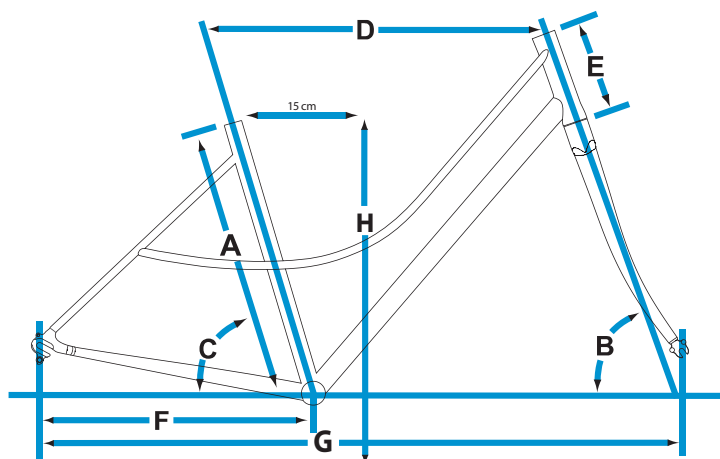
\$499



SPECIFICATIONS

FRAME	
SIZES	XS, S, M
COLOURS	Light Green, Light Blue
FRAME	4130 Butted Chromoly
FORK	4130 Butted Chromoly
SHOCK	N/A
COMPONENTS	
HANDLEBAR	Alloy, Mid Rise, 25.4
STEM	Alloy Quill
SEATPOST	Alloy, 27.2
SADDLE	Liv Classic Rivet
PEDALS	Comfort Platform
DRIVETRAIN	
SHIFTERS	SRAM X4, Trigger
FRONT DERAILLEUR	N/A
REAR DERAILLEUR	SRAM X4
BRAKES	Alloy, Dual Pivot
BRAKE LEVERS	Alloy, 3-Finger
CASSETTE	SRAM PG820, 11-32, 8-Speed
CHAIN	KMC Z72
CRANKSET	Alloy 3-Piece, 44
BOTTOM BRACKET	Cartridge
WHEELS	
RIMS	Giant GX02, Alloy, Double Wall
HUBS	Alloy, 32h
SPOKES	Stainless
TIRES	Giant S-R3, 700x32c, Anti-Puncture
EXTRAS	

Fenders, Chainguard, Kickstand



FRAME GEOMETRY

SIZE	PART NUMBER	PART NUMBER	HEAD ANGLE	SEAT ANGLE*	TOP TUBE**	HEAD-TUBE	CHAINSTAY	WHEEL-BASE	STANDOVER HEIGHT***
A			B	C	D	E	F	G	H
in	Light Green	Light Blue	deg	deg	cm	cm	cm	cm	in
XS/14	50022012	50022022	70	74	54.6	18	45.2	106	22.1
S/16	50022013	50022023	71	73.5	56	15.5	45.2	106	22.7
M/18	50022014	50022024	71	73.5	57	17.5	45.2	107	23.5

*Seat angle is actual. **Top tube is measured from center of the headtube horizontally back to the top of the effective extension of the seat tube. ***Standover height is based on the largest size tire that will fit the bike, not necessarily the included size tire. Specifications subject to change.

CYPRESS DX W

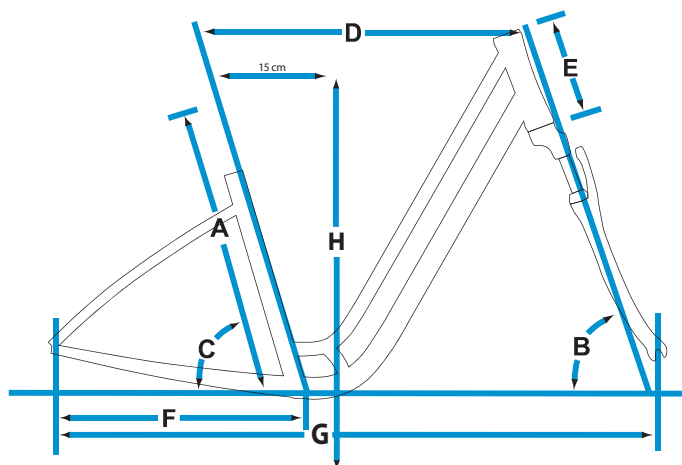


\$489



SPECIFICATIONS

FRAME	
SIZES	XS, S, M
COLOURS	Black, White
FRAME	ALUXX-Grade Aluminum
FORK	SR Suntour NEX 4110, 63mm
SHOCK	N/A
COMPONENTS	
HANDLEBAR	Alloy, High Rise, 25.4
STEM	Alloy Adjustable Quill
SEATPOST	Alloy Suspension, 30.9
SADDLE	Liv Comfort Groove Plus, Women's
PEDALS	Comfort Platform
DRIVETRAIN	
SHIFTERS	Shimano EF51, Trigger
FRONT DERAILLEUR	Shimano M191
REAR DERAILLEUR	Shimano Altus
BRAKES	Alloy, Direct Pull
BRAKE LEVERS	Alloy Comfort
CASSETTE	Shimano HG31, 11-34, 8-Speed
CHAIN	KMC Z72
CRANKSET	Shimano M131, 28/38/48
BOTTOM BRACKET	Shimano Cartridge
WHEELS	
RIMS	Giant GX-02, Alloy, Double Wall
HUBS	Alloy, 32h
SPOKES	Stainless
TIRES	Giant P-X3, 700x38, Multi-Surface



FRAME GEOMETRY

SIZE	PART NUMBER	PART NUMBER	HEAD ANGLE	SEAT ANGLE*	TOP TUBE**	HEAD-TUBE	CHAINSTAY	WHEEL-BASE	STANDOVER HEIGHT***
A		B	C	D	E	F	G	H	
in	Black	White	deg	deg	cm	cm	cm	cm	in
XS/14	50020512	50020522	69.5	74	54.5	18	45.5	107	20.9
S/16	50020513	50020523	69.5	73.5	56.5	20	45.5	109	21.5
M/18	50020514	50020524	69.5	73.5	58.5	20	45.5	111	23

*Seat angle is actual. **Tuptube is measured from center of the headtube horizontally back to the top of the effective extension of the seattube. ***Standover height is based on the largest size tire that will fit the bike, not necessarily the included size tire. Specifications subject to change.

CYPRESS W



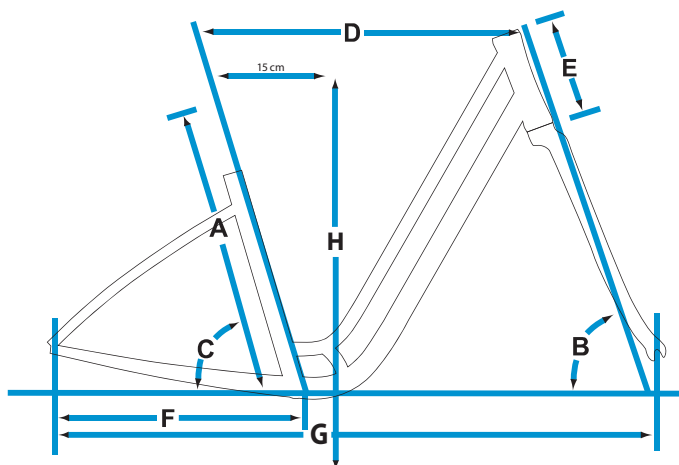
\$399

ALUXX
Aluminum Technology



SPECIFICATIONS

FRAME	
SIZES	XS, S, M
COLOURS	Dark Blue
FRAME	ALUXX-Grade Aluminum
FORK	High Tensile Chromoly Steel
SHOCK	N/A
COMPONENTS	
HANDLEBAR	High-Tensile Steel, High Rise, 25.4
STEM	Quill, 40 Degree Rise
SEATPOST	Alloy Suspension, 30.9
SADDLE	Liv Comfort, Women's
PEDALS	Comfort Platform
DRIVETRAIN	
SHIFTERS	SRAM MRX Index, Twist
FRONT DERAILLEUR	Shimano M191
REAR DERAILLEUR	Shimano Tourney
BRAKES	Alloy, Direct Pull
BRAKE LEVERS	Alloy
CASSETTE	Shimano TZ31, 14-34, 7-Speed
CHAIN	KMC Z51
CRANKSET	SR Suntour XCC, 28/38/48
BOTTOM BRACKET	Cartridge
WHEELS	
RIMS	Giant CH-17, Alloy, Double Wall
HUBS	Alloy, 36h
SPOKES	Stainless
TIRES	Kenda, 700x38, Multi-Surface



FRAME GEOMETRY

SIZE	PART NUMBER	HEAD ANGLE	SEAT ANGLE*	TOP TUBE**	HEADTUBE	CHAINSTAY	WHEEL-BASE	STANDOVER HEIGHT***
A	B	C	D	E	F	G	H	
in	Dark Blue	deg	deg	cm	cm	cm	cm	in
XS/14	50020612	69.5	74	54.5	18	45.5	107	20.9
S/16	50020613	69.5	73.5	56.5	20	45.5	109	21.5
M/18	50020614	69.5	73.5	58.5	20	45.5	111	23

*Seat angle is actual. **Top tube is measured from center of the headtube horizontally back to the top of the effective extension of the seat tube. ***Standover height is based on the largest size tire that will fit the bike, not necessarily the included size tire. Specifications subject to change.

SIMPLE THREE W

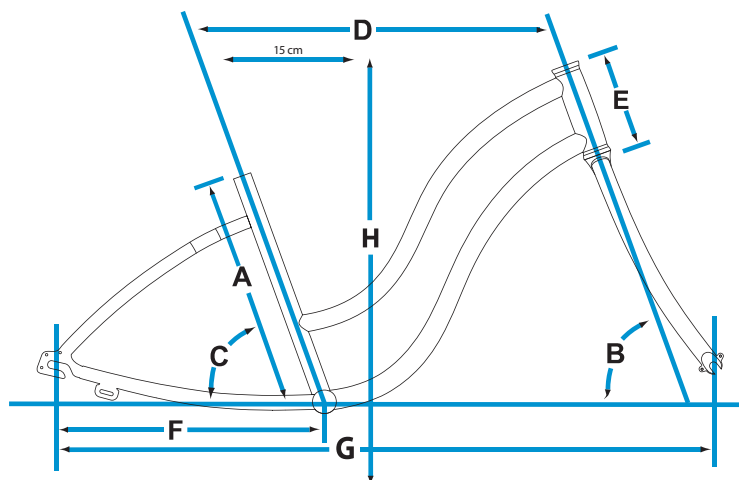
\$519



SPECIFICATIONS

FRAME	
SIZES	One Size
COLOURS	Black/Pink, Teal/Light Green
FRAME	ALUXX-Grade Aluminum
FORK	High Tensile Chromoly Steel
SHOCK	N/A
COMPONENTS	
HANDLEBAR	Women's Steel Cruiser
STEM	Alloy Quill
SEATPOST	Alloy, 27.2
SADDLE	Liv Women's Comfort Cruiser, SuperSoft
PEDALS	Comfort Platform
DRIVETRAIN	
SHIFTERS	Shimano Revo, Twist
FRONT DERAILLEUR	N/A
REAR DERAILLEUR	N/A
BRAKES	Shimano Coaster
BRAKE LEVERS	N/A
CASSETTE	Shimano 22, 3-Speed Internal
CHAIN	KMC Z410, RustProof
CRANKSET	Giant Alloy 3-Piece, 44
BOTTOM BRACKET	Cartridge
WHEELS	
RIMS	Giant Alloy
HUBS	[F] Alloy [R] Shimano Nexus, 3-Speed Internal, 36h
SPOKES	Stainless
TIRES	CST Cruiser, 26x2.125"
EXTRAS	

Front Basket, Fenders, Kickstand



FRAME GEOMETRY

SIZE	PART NUMBER	PART NUMBER	HEAD ANGLE	SEAT ANGLE*	TOP TUBE**	HEAD-TUBE	CHAINSTAY	WHEEL-BASE	STANDOVER HEIGHT***
A			B	C	D	E	F	G	H
in	Black	Teal	deg	deg	cm	cm	cm	cm	in
OSFM	50021810	50021820	NA	NA	59.9	14.5	48	112.5	25.6

*Seat angle is actual. **Tuptube is measured from center of the headtube horizontally back to the top of the effective extension of the seattube. ***Standover height is based on the largest size tire that will fit the bike, not necessarily the included size tire. Specifications subject to change.

SIMPLE SINGLE W



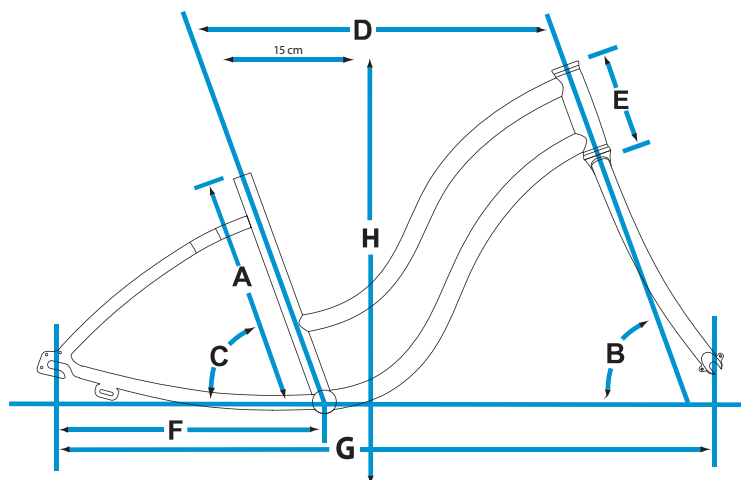
\$419

ALUXX
ALUMINUM TECHNOLOGY



SPECIFICATIONS

FRAME	
SIZES	One Size
COLOURS	Navy Blue/Pink, Pearl White/Green
FRAME	ALUXX-Grade Aluminum
FORK	High Tensile Chromoly Steel
SHOCK	N/A
COMPONENTS	
HANDLEBAR	Women's Steel Cruiser
STEM	Alloy Quill
SEATPOST	Alloy, 27.2
SADDLE	Liv Women's Comfort Cruiser, SuperSoft
PEDALS	Comfort Platform
DRIVETRAIN	
SHIFTERS	N/A
FRONT DERAILLEUR	N/A
REAR DERAILLEUR	N/A
BRAKES	Coaster
BRAKE LEVERS	N/A
CASSETTE	20
CHAIN	KMC Z410, RustProof
CRANKSET	Giant Alloy 3-Piece, 46
BOTTOM BRACKET	Cartridge
WHEELS	
RIMS	Giant Alloy
HUBS	Alloy, 36h
SPOKES	Stainless
TIRES	CST Cruiser, 26x2.125"
EXTRAS	
Kickstand	



FRAME GEOMETRY

SIZE	PART NUMBER	PART NUMBER	HEAD ANGLE	SEAT ANGLE*	TOP TUBE**	HEAD-TUBE	CHAINSTAY	WHEEL-BASE	STANDOVER HEIGHT***
A			B	C	D	E	F	G	H
in	Navy Blue	Pearl White	deg	deg	cm	cm	cm	cm	in
OSFM	50021610	50021620	NA	NA	59.9	14.5	48	112.5	25.6

*Seat angle is actual. **Tuptube is measured from center of the headtube horizontally back to the top of the effective extension of the seattube. ***Standover height is based on the largest size tire that will fit the bike, not necessarily the included size tire. Specifications subject to change.



Liv

X-ROAD

Tackle your first cyclocross race. Explore quiet back roads and get lost in the adventure. X-Road is about expanding your riding world and stepping outside the boundaries. No matter what comes your way, X-Road helps you tackle what lies ahead, whether it's paved, gravel, or even a dirt trail.



I RIDE FOR SPEED, IN ALL CONDITIONS.

CYCLOCROSS Brava SLR



I RIDE FOR ADVENTURE.

ADVENTURE Invite CoMax
Invite
Rove



I RIDE FOR FUN AND FUNCTION.

COMFORT Sedona W



*Explore
beyond
boundaries.*



Liv

*Explore
beyond
boundaries.*



BRAVA SLR 1

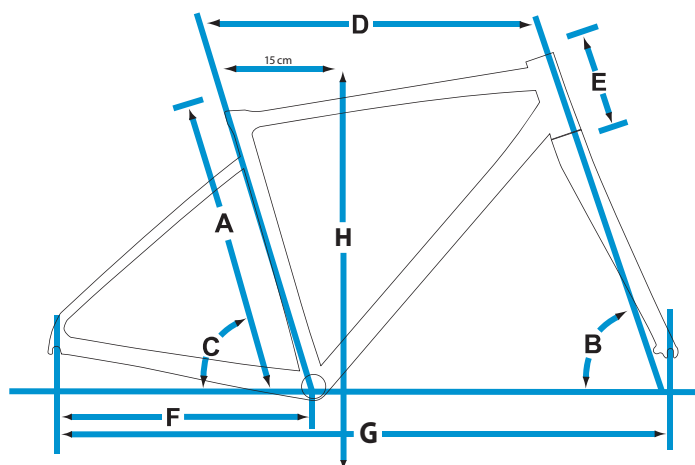


\$3,199



SPECIFICATIONS

FRAME	
SIZES	XS, S, M
COLOURS	White/Peach/Blue
FRAME	ALUXX SLR-Grade Aluminum, Hidden Rack Mounts
FORK	Advanced-Grade Composite, Full-Composite OverDrive 2 Steerer, 15mm Thru-Axle
SHOCK	N/A
COMPONENTS	
HANDLEBAR	Giant Contact, 31.8
STEM	Giant Contact
SEATPOST	Giant D-Fuse SL Composite
SADDLE	Fi'zi:k Donna w/ MG Rails
PEDALS	N/A
DRIVETRAIN	
SHIFTERS	Shimano Ultegra
FRONT DERAILLEUR	Shimano Ultegra
REAR DERAILLEUR	Shimano Ultegra
BRAKES	Shimano RS685 Hydraulic Disc, 140mm
BRAKE LEVERS	Shimano RS685 Disc
CASSETTE	Shimano Ultegra, 11-28, 11-Speed
CHAIN	KMC X11L
CRANKSET	Rotor 3DF, 36/46
BOTTOM BRACKET	Rotor 3DF, Press Fit
WHEELS	
RIMS	Giant P-CXR-1
HUBS	Giant P-CXR-1
SPOKES	Giant P-CXR-1
TIRES	Schwalbe Super Swan, 700x35, Evolution Triple Comp, Folding, Tubeless Ready



FRAME GEOMETRY

SIZE	PART NUMBER	HEAD ANGLE	SEAT ANGLE*	TOP TUBE**	HEADTUBE	CHAINSTAY	WHEEL-BASE	STANDOVER HEIGHT***
A	B	C	D	E	F	G	H	
cm	White	deg	deg	cm	cm	cm	cm	cm
XS/44.5	54050112	70.5	74.5	51.5	11.5	43	101.3	73.9
S/47.5	54050113	71	74	53	13.5	43	101.9	76.5
M/50.5	54050114	71	74	55	15.5	43	104.1	79

*Seat angle is actual. **Tuptube is measured from center of the headtube horizontally back to the top of the effective extension of the seattube. ***Standover height is based on the largest size tire that will fit the bike, not necessarily the included size tire. Specifications subject to change.

BRAVA SLR 2

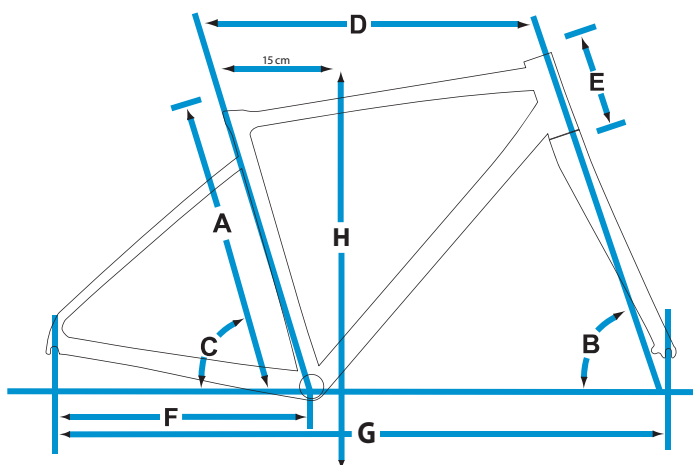


\$1,549



SPECIFICATIONS

FRAME	
SIZES	XS, S, M
COLOURS	Black/Silver/Turquoise
FRAME	ALUXX SLR-Grade Aluminum, Hidden Rack Mounts
FORK	Advanced-Grade Composite, Alloy OverDrive Steerer
SHOCK	N/A
COMPONENTS	
HANDLEBAR	Giant Connect, 31.8
STEM	Giant Connect
SEATPOST	Giant D-Fuse SL Composite
SADDLE	Fi'zi:k Donna w/ MG Rails
PEDALS	N/A
DRIVETRAIN	
SHIFTERS	Shimano 105
FRONT DERAILLEUR	Shimano 105
REAR DERAILLEUR	Shimano 105
BRAKES	TRP Spyre Mechanical Disc, 160mm
BRAKE LEVERS	Shimano 105
CASSETTE	Shimano Ultegra, 11-28, 11-Speed
CHAIN	KMC X11L
CRANKSET	FSA Omega, 36/46
BOTTOM BRACKET	FSA MegaExo, Press Fit
WHEELS	
RIMS	Giant S-X2
HUBS	Giant Tracker Sport, 32h
SPOKES	Stainless
TIRES	Schwalbe Super Swan, 700x35, Performance Dual Comp, Folding



FRAME GEOMETRY

SIZE	PART NUMBER	HEAD ANGLE	SEAT ANGLE*	TOP TUBE**	HEADTUBE	CHAINSTAY	WHEEL-BASE	STANDOVER HEIGHT***
A	B	C	D	E	F	G	H	
cm	Black	deg	deg	cm	cm	cm	cm	cm
XS/44.5	54050212	70.5	74.5	51.5	11.5	43	101.3	73.9
S/47.5	54050213	71	74	53	13.5	43	101.9	76.5
M/50.5	54050214	71	74	55	15.5	43	104.1	79

*Seat angle is actual. **Top tube is measured from center of the headtube horizontally back to the top of the effective extension of the seat tube. ***Standover height is based on the largest size tire that will fit the bike, not necessarily the included size tire. Specifications subject to change.

INVITE COMAX

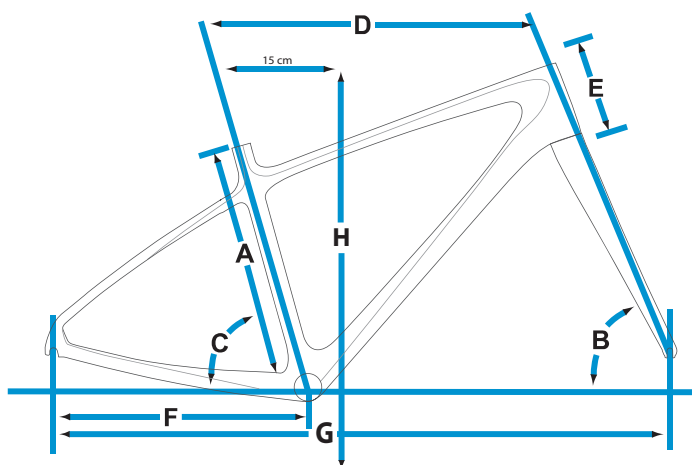


\$1,549



SPECIFICATIONS

FRAME	
SIZES	XS, S, M
COLOURS	White/Navy Blue/Pink
FRAME	CoMax Composite Technology
FORK	Advanced-Grade Composite, ALUXX Steerer
SHOCK	N/A
COMPONENTS	
HANDLEBAR	Giant Connect XR Ergo-Control, 31.8
STEM	Giant Connect
SEATPOST	Giant Connect Composite, 27.2
SADDLE	Liv Contact, Forward
PEDALS	Giant Sport
DRIVETRAIN	
SHIFTERS	Shimano R460
FRONT DERAILLEUR	Shimano Tiagra
REAR DERAILLEUR	Shimano R350
BRAKES	SRAM BB7 Mechanical Disc, 140mm
BRAKE LEVERS	Giant Ergo-Control Sub Lever
CASSETTE	Shimano HG62, 11-32, 10-Speed
CHAIN	KMC X10
CRANKSET	Shimano R460, 34/48
BOTTOM BRACKET	Shimano Press Fit
WHEELS	
RIMS	Giant S-X2, Alloy, Double Wall
HUBS	Alloy Disc, 32h
SPOKES	Stainless
TIRES	Giant P-RX2, 700x32, Puncture Protect



FRAME GEOMETRY

SIZE	PART NUMBER	HEAD ANGLE	SEAT ANGLE*	TOP TUBE**	HEAD TUBE	CHAINSTAY	WHEEL-BASE	STANDOVER HEIGHT***
A		B	C	D	E	F	G	H
in	White	deg	deg	in	in	in	in	in
XS/14.5	50051512	70.5	74.5	20.5	4.1	16.9	40	28.8
S/16.5	50051513	71	74.5	21.3	4.9	16.9	40.7	29.5
M/18	50051514	71	74	22	5.9	16.9	41.3	30.4

*Seat angle is actual. **Tubtube is measured from center of the headtube horizontally back to the top of the effective extension of the seattube. ***Standover height is based on the largest size tire that will fit the bike, not necessarily the included size tire. Specifications subject to change.

INVITE 1

\$1,099

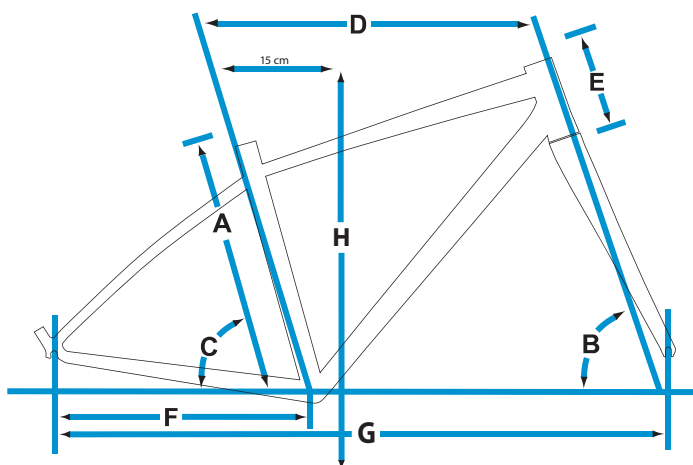
ALUXX
Aluminum technology

COMPACT ROAD



SPECIFICATIONS

FRAME	
SIZES	XS, S, M, L
COLOURS	Charcoal/Pink
FRAME	ALUXX-Grade Aluminum
FORK	Advanced-Grade Composite, ALUXX Steerer
SHOCK	N/A
COMPONENTS	
HANDLEBAR	Giant Connect XR Ergo-Control, 31.8
STEM	Giant Connect
SEATPOST	Giant Connect, 27.2
SADDLE	Liv Connect, Forward
PEDALS	Giant Sport
DRIVETRAIN	
SHIFTERS	Shimano R353
FRONT DERAILLEUR	Shimano R353
REAR DERAILLEUR	Shimano R350
BRAKES	SRAM BB5 Mechanical Disc, 140mm
BRAKE LEVERS	Giant Ergo-Control Sub Lever
CASSETTE	Shimano HG20, 11-32, 9-Speed
CHAIN	KMC X9
CRANKSET	Shimano R453, 30/39/50
BOTTOM BRACKET	Shimano Cartridge
WHEELS	
RIMS	Giant S-X2, Alloy, Double Wall
HUBS	Alloy Disc, 32h
SPOKES	Stainless
TIRES	Giant P-RX2, 700x32, Puncture Protect



FRAME GEOMETRY

SIZE	PART NUMBER	HEAD ANGLE	SEAT ANGLE*	TOP TUBE**	HEAD TUBE	CHAINSTAY	WHEEL-BASE	STANDOVER HEIGHT***
A	B	C	D	E	F	G	H	
in	Dark Brown	deg	deg	in	in	in	in	in
XS/14.5	50051312	70	75	19.7	7.1	17	39.6	26.3
S/16.5	50051313	70.5	74.5	20.3	7.1	17	39.9	27.7
M/18	50051314	71	74.5	20.7	7.1	17	40.2	29.2
L/20	50051316	71	74.5	21.5	7.5	16.9	41.1	32

*Seat angle is actual. **Tubetube is measured from center of the headtube horizontally back to the top of the effective extension of the seattube. ***Standover height is based on the largest size tire that will fit the bike, not necessarily the included size tire. Specifications subject to change.

ROVE 0



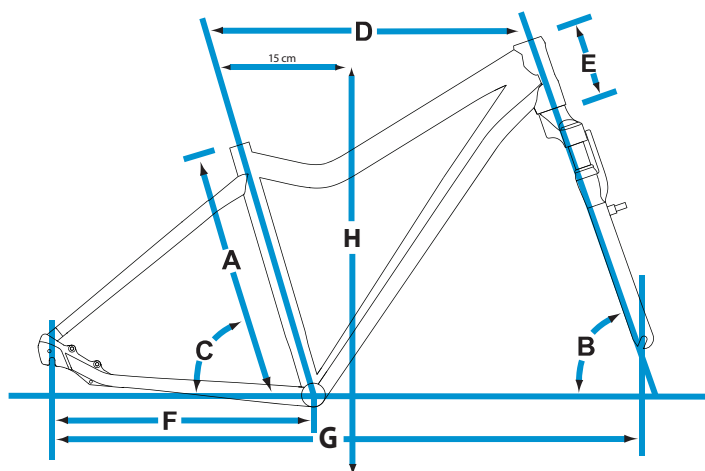
\$949

ALUXX
Aluminum Technology



SPECIFICATIONS

FRAME	
SIZES	XS, S, M, L
COLOURS	Charcoal/Teal/White
FRAME	ALUXX-Grade Aluminum
FORK	SR Suntour NCX-D LO, w/ Lock-Out, 63mm
SHOCK	N/A
COMPONENTS	
HANDLEBAR	Giant Connect XC, Low Rise, 31.8
STEM	Giant Sport
SEATPOST	Giant Connect Composite, 30.9
SADDLE	Liv Connect, Upright
PEDALS	Giant Sport
DRIVETRAIN	
SHIFTERS	Shimano Deore
FRONT DERAILLEUR	Shimano Deore
REAR DERAILLEUR	Shimano Deore
BRAKES	Shimano M395 Hydraulic Disc
BRAKE LEVERS	Shimano M396
CASSETTE	Shimano HG50, 11-36, 10-Speed
CHAIN	KMC X10
CRANKSET	Shimano T521, 26/36/48
BOTTOM BRACKET	Shimano Octalink
WHEELS	
RIMS	Giant S-X2, Alloy, Double Wall
HUBS	Giant Tracker Sport, 32h
SPOKES	Stainless
TIRES	Giant P-RX2, 700x40, Puncture Protect



FRAME GEOMETRY

SIZE	PART NUMBER	HEAD ANGLE	SEAT ANGLE*	TOP TUBE**	HEADTUBE	CHAINSTAY	WHEEL-BASE	STANDOVER HEIGHT***
A	B	C	D	E	F	G	H	
in	Charcoal	deg	deg	in	in	in	in	in
XS/15	50052213	71	74	20.9	4.5	17.9	41	25.6
S/17	50052214	71	73.5	21.7	4.9	17.9	41.6	26
M/19	50052215	71	73	22.4	5.5	17.9	42.2	27
L/21	50052216	71	73	23.2	6.3	17.9	43	28

*Seat angle is actual. **Tuptube is measured from center of the headtube horizontally back to the top of the effective extension of the seattube. ***Standover height is based on the largest size tire that will fit the bike, not necessarily the included size tire. Specifications subject to change.

ROVE 2



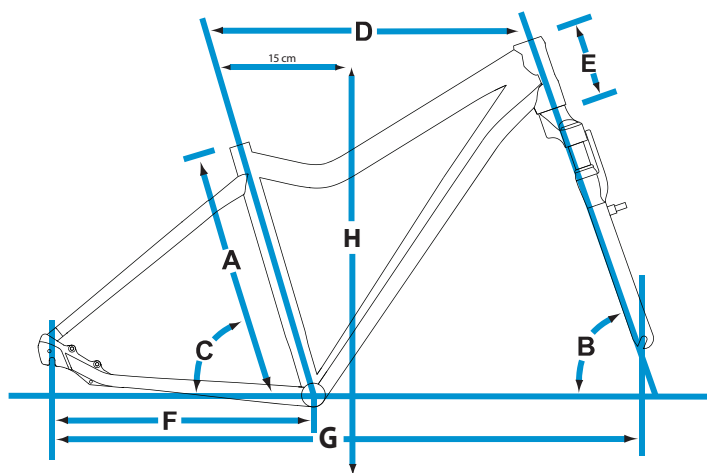
\$669

ALUXX
ALUMINUM TECHNOLOGY



SPECIFICATIONS

FRAME	
SIZES	XS, S, M, L
COLOURS	Black/Violet/White
FRAME	ALUXX-Grade Aluminum
FORK	SR Suntour NEX HLO, w/ Lock-Out, 63mm
SHOCK	N/A
COMPONENTS	
HANDLEBAR	Giant Connect XC, Low Rise, 31.8
STEM	Giant Sport
SEATPOST	Giant Sport
SADDLE	Liv Connect, Upright
PEDALS	Giant Sport
DRIVETRAIN	
SHIFTERS	Shimano Altus
FRONT DERAILLEUR	Shimano Acera
REAR DERAILLEUR	Shimano Acera
BRAKES	Tektro HDM-290 Hydraulic Disc
BRAKE LEVERS	Tektro HDM-290
CASSETTE	Shimano HG20, 11-34, 9-Speed
CHAIN	KMC X9
CRANKSET	Shimano M371, 26/36/48
BOTTOM BRACKET	Shimano Cartridge
WHEELS	
RIMS	Giant CR70, Alloy, Double Wall
HUBS	Alloy Disc, 32h
SPOKES	Stainless
TIRES	Giant S-RX4, 700x40



FRAME GEOMETRY

SIZE	PART NUMBER	HEAD ANGLE	SEAT ANGLE*	TOP TUBE**	HEADTUBE	CHAINSTAY	WHEEL-BASE	STANDOVER HEIGHT***
A	B	C	D	E	F	G	H	
in	Black	deg	deg	in	in	in	in	in
XS/15	50052313	71	74	20.9	4.5	17.9	41	25.6
S/17	50052314	71	73.5	21.7	4.9	17.9	41.6	26
M/19	50052315	71	73	22.4	5.5	17.9	42.2	27
L/21	50052316	71	73	23.2	6.3	17.9	43	28

*Seat angle is actual. **Tuptube is measured from center of the headtube horizontally back to the top of the effective extension of the seattube. ***Standover height is based on the largest size tire that will fit the bike, not necessarily the included size tire. Specifications subject to change.

ROVE 3

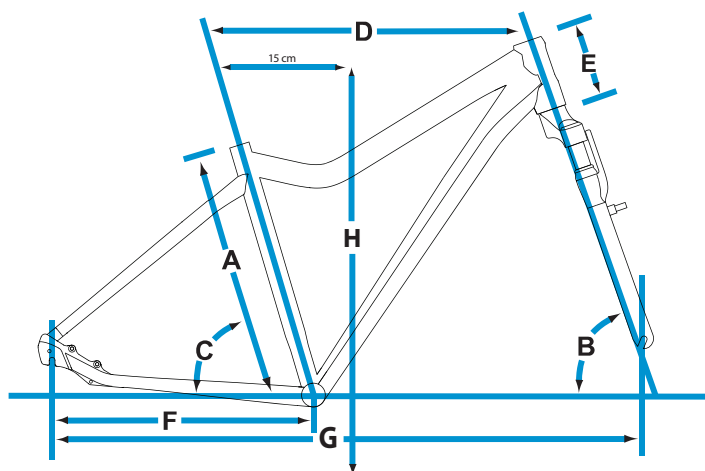
\$499

ALUXX
Aluminum Technology



SPECIFICATIONS

FRAME	
SIZES	XS, S, M, L
COLOURS	White/Silver/Blue
FRAME	ALUXX-Grade Aluminum
FORK	SR Suntour NEX HLO, w/ Lock-Out, 63mm
SHOCK	N/A
COMPONENTS	
HANDLEBAR	Giant Connect XC, Low Rise, 31.8
STEM	Giant Sport
SEATPOST	Giant Sport
SADDLE	Liv Connect, Upright
PEDALS	Giant Sport
DRIVETRAIN	
SHIFTERS	Shimano EF51
FRONT DERAILLEUR	Shimano M191
REAR DERAILLEUR	Shimano Acera
BRAKES	Alloy Linear Pull
BRAKE LEVERS	Shimano EF51
CASSETTE	Shimano HG31, 11-34, 8-Speed
CHAIN	KMC Z8
CRANKSET	SR Suntour XCT, 28/38/48
BOTTOM BRACKET	Cartridge
WHEELS	
RIMS	Giant GX02, Alloy, Double Wall
HUBS	Alloy, 32h
SPOKES	Stainless
TIRES	Giant S-RX4, 700x40



FRAME GEOMETRY

SIZE	PART NUMBER	HEAD ANGLE	SEAT ANGLE*	TOP TUBE**	HEADTUBE	CHAINSTAY	WHEEL-BASE	STANDOVER HEIGHT***
A	B	C	D	E	F	G	H	
in	White/Silver	deg	deg	in	in	in	in	in
XS/15	50052513	71	74	20.9	4.5	17.9	41	25.6
S/17	50052514	71	73.5	21.7	4.9	17.9	41.6	26
M/19	50052515	71	73	22.4	5.5	17.9	42.2	27
L/21	50052516	71	73	23.2	6.3	17.9	43	28

*Seat angle is actual. **Tuptube is measured from center of the headtube horizontally back to the top of the effective extension of the seattube. ***Standover height is based on the largest size tire that will fit the bike, not necessarily the included size tire. Specifications subject to change.

SEDONA DX W



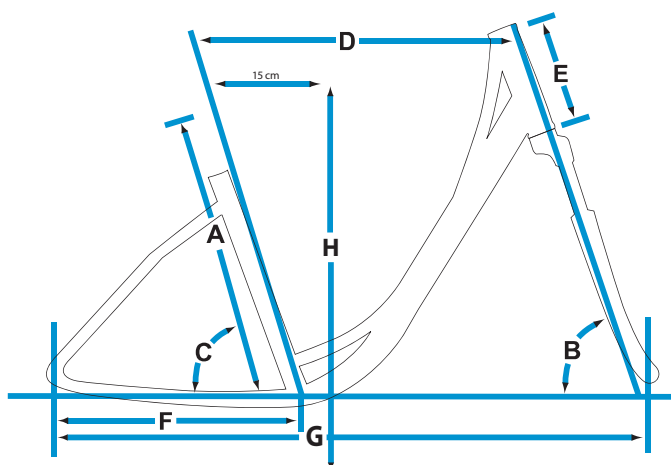
\$519

ALUXX
ALUMINUM TECHNOLOGY



SPECIFICATIONS

FRAME	
SIZES	XS, S, M
COLOURS	Black, Pearl White
FRAME	ALUXX-Grade Aluminum
FORK	SR Suntour NEX, 63mm
SHOCK	N/A
COMPONENTS	
HANDLEBAR	High Rise, 25.4
STEM	Alloy Adjustable Quill
SEATPOST	Alloy Suspension, 30.9mm
SADDLE	Liv Comfort Groove Plus, Women's
PEDALS	Comfort Platform
DRIVETRAIN	
SHIFTERS	Shimano EF51, Trigger
FRONT DERAILLEUR	Shimano Altus
REAR DERAILLEUR	Shimano Altus
BRAKES	Alloy, Direct Pull
BRAKE LEVERS	Alloy Comfort
CASSETTE	SRAM PG820, 11-32, 8-Speed
CHAIN	KMC Z72
CRANKSET	Shimano M131, 28/38/48
BOTTOM BRACKET	Shimano Cartridge
WHEELS	
RIMS	Giant GX02, Alloy, Double Wall
HUBS	Alloy 32h
SPOKES	Stainless
TIRES	Kenda 26x1.95", Multi-Surface



FRAME GEOMETRY

SIZE	PART NUMBER	PART NUMBER	HEAD ANGLE	SEAT ANGLE*	TOP TUBE**	HEAD-TUBE	CHAINSTAY	WHEEL-BASE	STANDOVER HEIGHT***
A			B	C	D	E	F	G	H
in	Black	White	deg	deg	in	in	in	in	in
XS/13	50053113	50053123	69	70	21.3	7.7	17.1	40.5	17.4
S/16	50053114	50053124	69	70	22.4	8.1	17.1	41.3	18.3
M/18	50053115	50053125	69	70	23.2	8.5	17.1	42	19.1

*Seat angle is actual. **Tuptube is measured from center of the headtube horizontally back to the top of the effective extension of the seattube. ***Standover height is based on the largest size tire that will fit the bike, not necessarily the included size tire. Specifications subject to change.

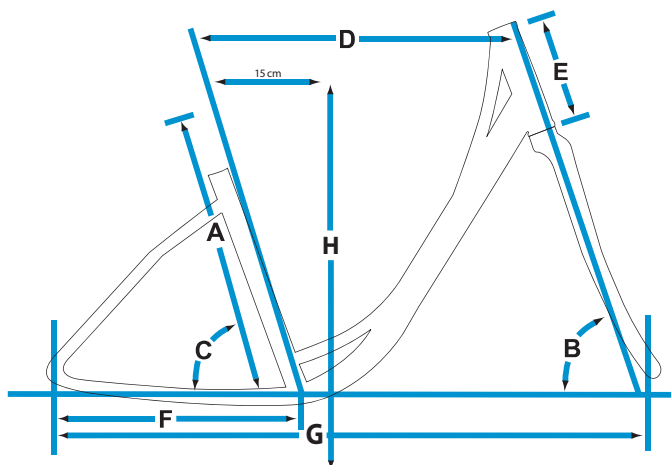
SEDONA W

\$419



SPECIFICATIONS

FRAME	
SIZES	XS, S, M
COLOURS	Light Blue
FRAME	ALUXX-Grade Aluminum
FORK	Chromoly
SHOCK	N/A
COMPONENTS	
HANDLEBAR	High Rise, 25.4
STEM	Quill
SEATPOST	Alloy Suspension, 30.9mm
SADDLE	Liv Comfort, Women's
PEDALS	Comfort Platform
DRIVETRAIN	
SHIFTERS	SRAM MRX, Twist
FRONT DERAILLEUR	Shimano Altus
REAR DERAILLEUR	Shimano Tourney
BRAKES	Alloy, Direct Pull
BRAKE LEVERS	Alloy Comfort
CASSETTE	Shimano TZ31, 14-34, 7-Speed
CHAIN	KMC Z51
CRANKSET	SR Suntour XCC, 28/38/48
BOTTOM BRACKET	Cartridge
WHEELS	
RIMS	Giant CH17, Alloy
HUBS	Alloy, 36h
SPOKES	Stainless
TIRES	Kenda 26x1.95", Multi-Surface



FRAME GEOMETRY

SIZE	PART NUMBER	HEAD ANGLE	SEAT ANGLE*	TOP TUBE**	HEAD-TUBE	CHAINSTAY	WHEEL-BASE	STANDOVER HEIGHT***
A		B	C	D	E	F	G	H
in	Light Blue	deg	deg	in	in	in	in	in
XS/13	50053223	69	70	21.3	7.7	17.1	40.5	17.4
S/16	50053224	69	70	22.4	8.1	17.1	41.3	18.3
M/18	50053225	69	70	23.2	8.5	17.1	42	19.1

*Seat angle is actual. **Tubule is measured from center of the headtube horizontally back to the top of the effective extension of the seat tube. ***Standover height is based on the largest size tire that will fit the bike, not necessarily the included size tire. Specifications subject to change.



OFF-ROAD

Where the road ends, the fun begins. Off-road riding is all about balance, confidence and power. When you perfect that combination, the trail becomes your playground. From challenging singletrack to casual trails, there's a Liv bike for your off-road adventure.



I RIDE TO TAME EVERY TYPE OF TERRAIN.

RACE/XC	Lust Advanced Lust
TRAIL/ENDURO	Intrigue Obsess Advanced



I RIDE TO EXPLORE PARKS AND TRAILS.

XC	Tempt
----	-------



I RIDE OFF THE BEATEN PATH.

RECREATION	Enchant
------------	---------



*Daring
beyond
doubt.*





Liv

*Daring
beyond
doubt.*



LUST ADVANCED 0

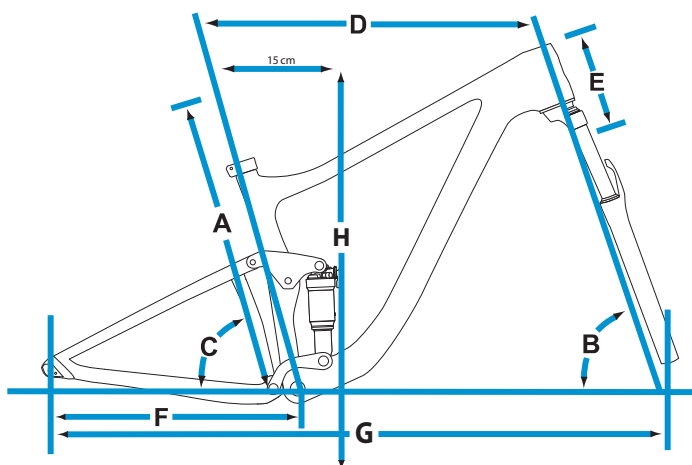


\$7,499



SPECIFICATIONS

FRAME	
SIZES	XS, S, M
COLOURS	Matte Composite/Turquoise/White/Purple
FRAME	Advanced-Grade Composite, Front Triangle/ ALUXX SL-Grade Rear Triangle, 4"/100mm Maestro Suspension
FORK	RockShox Sid WC XX, 15mm Thru-Axle, XLoc Full Sprint Remote Lock Out, OverDrive Steerer, Full-Sprint, 120mm
SHOCK	RockShox Monarch RT3
COMPONENTS	
HANDLEBAR	Giant Contact SLR XC, Composite, 31.8
STEM	Giant Contact SLR, Composite
SEATPOST	Giant Contact SL Switch-R, 30.9
SADDLE	Fi'zi:k Donna w/ Kium Rails
PEDALS	N/A
DRIVETRAIN	
SHIFTERS	SRAM XX1, Trigger
FRONT DERAILLEUR	N/A
REAR DERAILLEUR	SRAM XX1
BRAKES	Avid XX WC, 160mm
BRAKE LEVERS	AVID XX WC
CASSETTE	SRAM XG1199, 10-42, 11-speed
CHAIN	SRAM PCXX1
CRANKSET	SRAM XX1, 30
BOTTOM BRACKET	SRAM Press Fit
WHEELS	
RIMS	Giant P-XCR0 Composite 27.5" WheelSystem
HUBS	Giant P-XCR, [F] 15mm [R] 142x12mm
SPOKES	DT Swiss
TIRES	Schwalbe Racing Ralph, 27x2.25", EVO, Folding, TL Ready



FRAME GEOMETRY

SIZE	PART NUMBER	HEAD ANGLE	SEAT ANGLE*	TOP TUBE**	HEADTUBE	CHAINSTAY	WHEEL-BASE	STANDOVER HEIGHT***
A	B	C	D	E	F	G	H	
in	Carbon	deg	deg	in	in	in	in	in
XS/14.5	50032913	70	73	21.7	3.7	17	41.5	26.1
S/16	50032914	70	73	22.4	3.9	17	42.1	27.8
M/18	50032915	70	73	23.2	4.3	17	42.9	28.4

*Seat angle is actual. **Tuptube is measured from center of the headtube horizontally back to the top of the effective extension of the seattube. ***Standover height is based on the largest size tire that will fit the bike, not necessarily the included size tire. Specifications subject to change.

LUST ADVANCED 2

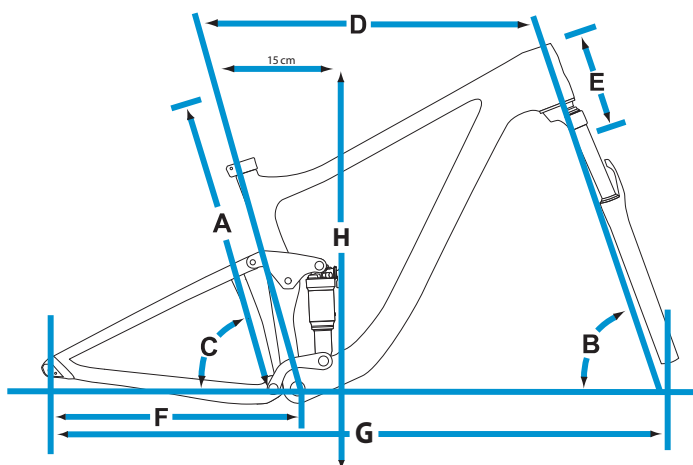


\$3,199



SPECIFICATIONS

FRAME	
SIZES	XS, S, M
COLOURS	Dark Blue/Green/White
FRAME	Advanced-Grade Composite, Front Triangle/ ALUXX SL-Grade Rear Triangle, 4"/100mm Maestro Suspension
FORK	Fox 32 Float CTD Evolution, 15mm Thru-Axle, OverDrive Steerer, 100mm
SHOCK	Fox Float CTD Evolution
COMPONENTS	
HANDLEBAR	Giant Contact XC, 31.8
STEM	Giant Contact
SEATPOST	Giant Contact, 30.9
SADDLE	Fi'zi:k Donna w/ MG rails
PEDALS	N/A
DRIVETRAIN	
SHIFTERS	Shimano SLX
FRONT DERAILLEUR	SRAM X7
REAR DERAILLEUR	Shimano XT, Shadow+
BRAKES	Shimano SLX, 160mm
BRAKE LEVERS	Shimano SLX
CASSETTE	Shimano HG81 11-36, 10-speed
CHAIN	KMC X10
CRANKSET	SRAM S1000, 22/36
BOTTOM BRACKET	SRAM Press Fit
WHEELS	
RIMS	Giant P-XC 27.5"
HUBS	Giant Tracker, [F] 15mm [R] 142x12mm
SPOKES	Sapim Race
TIRES	Schwalbe Racing Ralph, 27x2.25", EVO, Folding, TL Ready



FRAME GEOMETRY

SIZE	PART NUMBER	HEAD ANGLE	SEAT ANGLE*	TOP TUBE**	HEADTUBE	CHAINSTAY	WHEEL-BASE	STANDOVER HEIGHT***
A	B	C	D	E	F	G	H	
in	Dark Green	deg	deg	in	in	in	in	in
XS/14.5	50033013	70	73	21.7	3.7	17	41.5	26.1
S/16	50033014	70	73	22.4	3.9	17	42.1	27.8
M/18	50033015	70	73	23.2	4.3	17	42.9	28.4

*Seat angle is actual. **Tubetube is measured from center of the headtube horizontally back to the top of the effective extension of the seattube. ***Standover height is based on the largest size tire that will fit the bike, not necessarily the included size tire. Specifications subject to change.

LUST 1

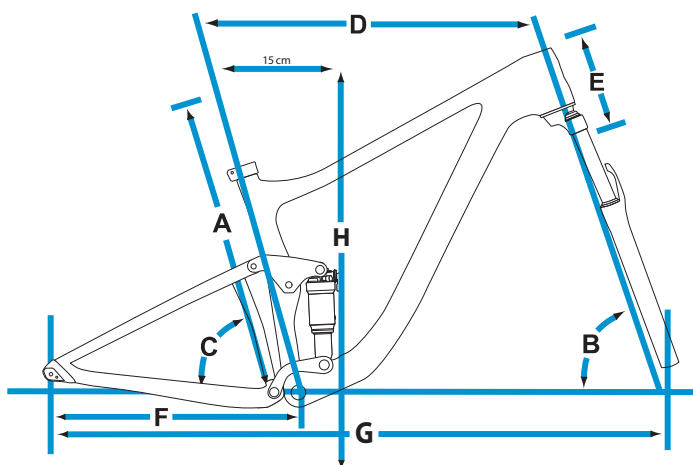


\$2,749



SPECIFICATIONS

FRAME	
SIZES	XS, S, M
COLOURS	Black/Pink/Purple
FRAME	ALUXX SL-Grade Aluminum, 4"/100mm Maestro Suspension
FORK	RockShox SID RL Solo Air, 15mm Thru-Axle, OverDrive Steerer, 100mm
SHOCK	RockShox Monarch RT
COMPONENTS	
HANDLEBAR	Giant Contact SL Trail, 31.8
STEM	Giant Contact SL
SEATPOST	Giant Contact SL, 30.9
SADDLE	Fi'zi:k Donna, MG rails
PEDALS	N/A
DRIVETRAIN	
SHIFTERS	SRAM X9, Trigger
FRONT DERAILLEUR	SRAM X7
REAR DERAILLEUR	SRAM X9, Type 2
BRAKES	SRAM Guide RS, 160mm
BRAKE LEVERS	SRAM Guide RS
CASSETTE	SRAM PG1050, 11-36, 10-speed
CHAIN	KMC X10
CRANKSET	SRAM S1000, 22/36
BOTTOM BRACKET	SRAM Press Fit
WHEELS	
RIMS	Giant P-XC 27.5"
HUBS	Giant Tracker, [F] 15mm [R] 135x5mm
SPOKES	Sapim Race
TIRES	Schwalbe Racing Ralph, 27x2.25", EVO, Folding, TL Ready



FRAME GEOMETRY

SIZE	PART NUMBER	HEAD ANGLE	SEAT ANGLE*	TOP TUBE**	HEADTUBE	CHAINSTAY	WHEEL-BASE	STANDOVER HEIGHT***
A		B	C	D	E	F	G	H
in	Black	deg	deg	in	in	in	in	in
XS/14.5	50032613	70	73	21.7	3.7	17	41.5	25.7
S/16	50032614	70	73	22.4	3.9	17	42.1	26.9
M/18	50032615	70	73	23.2	4.3	17	42.9	28.3

*Seat angle is actual. **Tubtube is measured from center of the headtube horizontally back to the top of the effective extension of the seattube. ***Standover height is based on the largest size tire that will fit the bike, not necessarily the included size tire. Specifications subject to change.

LUST 2

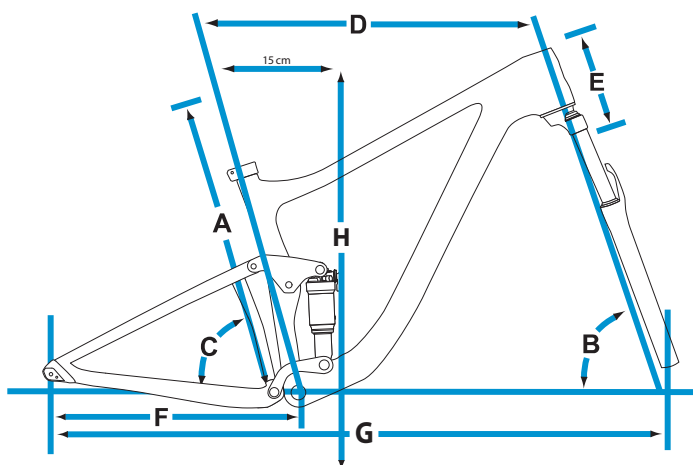


\$2,299



SPECIFICATIONS

FRAME	
SIZES	XS, S, M, L
COLOURS	Deep Blue/Light Blue/Silver
FRAME	ALUXX SL-Grade Aluminum, 4"/100mm Maestro Suspension
FORK	Fox 32 Float CTD Evolution, 15mm Thru-Axle, OverDrive Steerer, 100mm
SHOCK	Fox Float CTD Evolution
COMPONENTS	
HANDLEBAR	Giant Contact XC, 31.8
STEM	Giant Contact
SEATPOST	Giant Contact, 30.9
SADDLE	Liv Contact, Forward
PEDALS	N/A
DRIVETRAIN	
SHIFTERS	Shimano Deore
FRONT DERAILLEUR	SRAM X5
REAR DERAILLEUR	Shimano Deore, Shadow+
BRAKES	Shimano M447, 160mm
BRAKE LEVERS	Shimano M506
CASSETTE	Shimano HG50, 11-36, 10-speed
CHAIN	KMC X10
CRANKSET	SRAM S1000, 22/36
BOTTOM BRACKET	SRAM Press Fit
WHEELS	
RIMS	Giant S-XC 27.5"
HUBS	Giant Tracker, [F] 15mm [R] 135x5mm
SPOKES	Stainless
TIRES	Schwalbe Racing Ralph, 27.5x2.25", Wire, Performance



FRAME GEOMETRY

SIZE	PART NUMBER	HEAD ANGLE	SEAT ANGLE*	TOP TUBE**	HEADTUBE	CHAINSTAY	WHEEL-BASE	STANDOVER HEIGHT***
A	B	C	D	E	F	G	H	
in	Blue	deg	deg	in	in	in	in	in
XS/14.5	50032713	70	73	21.7	3.7	17	41.5	25.7
S/16	50032714	70	73	22.4	3.9	17	42.1	26.9
M/18	50032715	70	73	23.2	4.3	17	42.9	28.3
L/20	50032716	70	73	24.1	4.7	17	43.3	29.6

*Seat angle is actual. **Tuptube is measured from center of the headtube horizontally back to the top of the effective extension of the seattube. ***Standover height is based on the largest size tire that will fit the bike, not necessarily the included size tire. Specifications subject to change.

INTRIGUE 1



\$4,199

MAESTRO
SUSPENSION

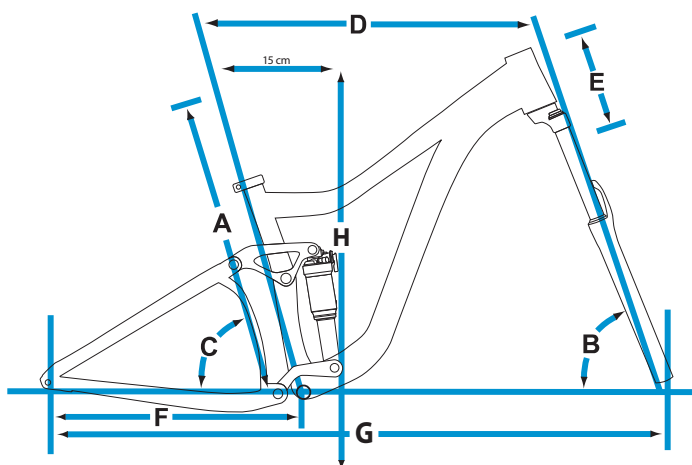
ALUXX SL
ALUMINUM FRAME

OVERDRIVE



SPECIFICATIONS

FRAME	
SIZES	XS, S, M
COLOURS	Charcoal/Red/Blue
FRAME	ALUXX SL-Grade Aluminum, 5.5"/140mm Maestro Suspension
FORK	Fox 32 Float CTD Talas Performance FIT, 15mm Thru-Axle, OverDrive Steerer, 120-140mm
SHOCK	Fox Float CTD
COMPONENTS	
HANDLEBAR	Giant Contact SL Trail, 31.8
STEM	Giant Contact SL
SEATPOST	Giant Contact SL Switch-R, 30.9mm
SADDLE	Fi'zi:k Donna, MG rails
PEDALS	N/A
DRIVETRAIN	
SHIFTERS	SRAM X0, Trigger
FRONT DERAILLEUR	SRAM X9
REAR DERAILLEUR	SRAM X0, Type 2
BRAKES	SRAM Guide R, 160mm
BRAKE LEVERS	SRAM Guide R
CASSETTE	SRAM PG1050, 11-36, 10-speed
CHAIN	KMC X10
CRANKSET	SRAM S1000, 22/36
BOTTOM BRACKET	SRAM Press Fit
WHEELS	
RIMS	Giant P-TRX 1 Composite 27.5" WheelSystem
HUBS	Giant TRX, [F] 15mm [R] 12x142mm
SPOKES	Sapim Race
TIRES	Schwalbe Nobby Nic, 27.5x2.25", EVO, Snakeskin, Pacestar, TL Ready



FRAME GEOMETRY

SIZE	PART NUMBER	HEAD ANGLE	SEAT ANGLE*	TOP TUBE**	HEADTUBE	CHAINSTAY	WHEEL-BASE	STANDOVER HEIGHT***
A	B	C	D	E	F	G	H	
in	Charcoal	deg	deg	in	in	in	in	in
XS/14.5	50032413	68	73.5	21.3	3.9	17.6	42.8	27
S/16	50032414	68	73.5	22	4.1	17.6	43.6	27.2
M/18	50032415	68	73.5	22.8	4.5	17.6	44.4	28.2

*Seat angle is actual. **Tuptube is measured from center of the headtube horizontally back to the top of the effective extension of the seattube. ***Standover height is based on the largest size tire that will fit the bike, not necessarily the included size tire. Specifications subject to change.

INTRIGUE 2



\$2,499

MAESTRO
SUSPENSION

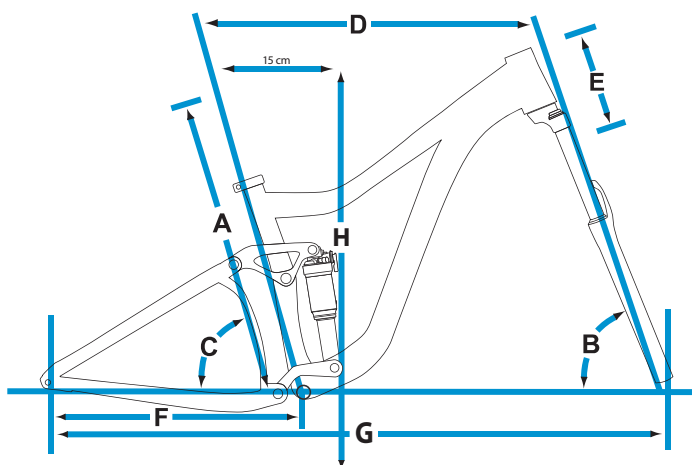
ALUXX SL
ALUMINUM FRAME

OVERDRIVE



SPECIFICATIONS

FRAME	
SIZES	XS, S, M, L
COLOURS	Dark Blue/Bright Blue/Bright Green
FRAME	ALUXX SL-Grade Aluminum, 5.5"/140mm Maestro Suspension
FORK	RockShox Revelation RL Dual Position Air, 15mm Thru-Axle, OverDrive Steerer, 120-140mm
SHOCK	RockShox Monarch R
COMPONENTS	
HANDLEBAR	Giant Contact XC, 31.8
STEM	Giant Contact
SEATPOST	Giant Contact SL Switch-R, 30.9mm
SADDLE	Liv Contact, Forward
PEDALS	N/A
DRIVETRAIN	
SHIFTERS	Shimano Deore
FRONT DERAILLEUR	SRAM X5
REAR DERAILLEUR	Shimano Deore, Shadow+
BRAKES	Shimano M395, 160mm
BRAKE LEVERS	Shimano M396
CASSETTE	Shimano HG50, 11-36, 10-speed
CHAIN	KMC X10
CRANKSET	SRAM S1000, 22/36
BOTTOM BRACKET	SRAM Press Fit
WHEELS	
RIMS	Giant P-XC 27.5"
HUBS	Giant Tracker, [F] 15mm [R] 135x5mm
SPOKES	Sapim Race
TIRES	Schwalbe Nobby Nic, 27.5x2.25", EVO, Snakeskin, Pacestar, TL Ready



FRAME GEOMETRY

SIZE	PART NUMBER	HEAD ANGLE	SEAT ANGLE*	TOP TUBE**	HEADTUBE	CHAINSTAY	WHEEL-BASE	STANDOVER HEIGHT***
A	B	C	D	E	F	G	H	
in	Dark Blue	deg	deg	in	in	in	in	in
XS/14.5	50032513	68	73.5	21.3	3.9	17.6	42.8	27
S/16	50032514	68	73.5	22	4.1	17.6	43.6	27.2
M/18	50032515	68	73.5	22.8	4.5	17.6	44.4	28.2
L/20	50032516	68	73.5	23.2	4.9	17.6	44.9	29.7

*Seat angle is actual. **Tuptube is measured from center of the headtube horizontally back to the top of the effective extension of the seattube. ***Standover height is based on the largest size tire that will fit the bike, not necessarily the included size tire. Specifications subject to change.

OBSCESS ADVANCED 2

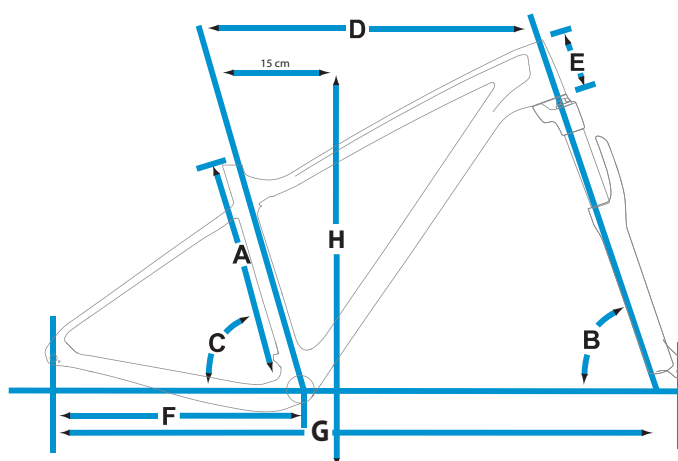


\$2,599



SPECIFICATIONS

FRAME	
SIZES	XS, S, M, L
COLOURS	Composite/White/Blue
FRAME	Advanced-Grade Composite
FORK	Fox 32 Evolution CTD Remote, 15mm Thru-Axle, OverDrive Steerer, 100mm
SHOCK	N/A
COMPONENTS	
HANDLEBAR	Giant Contact XC, 31.8
STEM	Giant Contact
SEATPOST	Giant Contact, 27.2
SADDLE	Liv Contact, Forward
PEDALS	N/A
DRIVETRAIN	
SHIFTERS	Shimano SLX
FRONT DERAILLEUR	SRAM X7
REAR DERAILLEUR	Shimano XT, Shadow+
BRAKES	Shimano SLX, 160mm
BRAKE LEVERS	Shimano SLX
CASSETTE	Shimano HG81, 11-36, 10-speed
CHAIN	KMC X10SL
CRANKSET	SRAM S1000, 22/36
BOTTOM BRACKET	SRAM Press Fit
WHEELS	
RIMS	Giant P-XC 27.5"
HUBS	Giant Tracker, [F] 15mm [R] 135x5mm
SPOKES	Sapim Race
TIRES	Schwalbe Racing Ralph, 27.5x2.1", EVO, Folding, Performance



FRAME GEOMETRY

SIZE	PART NUMBER	HEAD ANGLE	SEAT ANGLE*	TOP TUBE**	HEAD TUBE	CHAINSTAY	WHEEL-BASE	STANDOVER HEIGHT***
A	B	C	D	E	F	G	H	
in	Carbon	deg	deg	in	in	in	in	in
XS/14	50033213	69.5	74	21.7	3.9	17.3	42	24.2
S/16	50033214	70	73.5	22.4	4.7	17.3	42.4	25.7
M/18	50033215	70	73	23.2	5.3	17.3	43	27
L/20	50033216	70	72.5	23.6	5.9	17.3	43.2	28.4

*Seat angle is actual. **Tuptube is measured from center of the headtube horizontally back to the top of the effective extension of the seattube. ***Standover height is based on the largest size tire that will fit the bike, not necessarily the included size tire. Specifications subject to change.

TEMPT 1



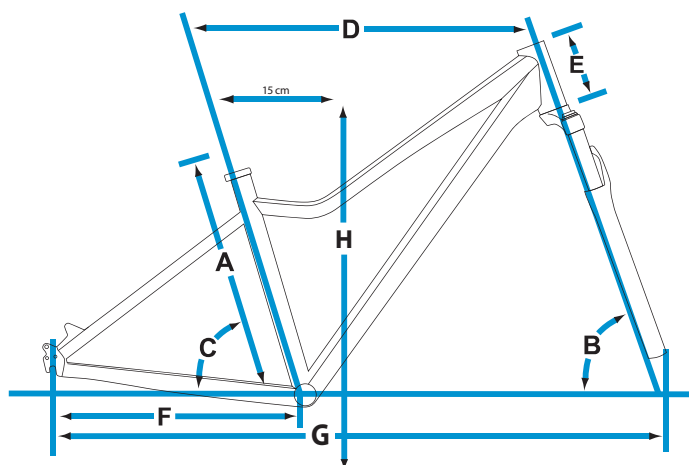
\$1,629

ALUXX
Aluminum Technology



SPECIFICATIONS

FRAME	
SIZES	S, M, L
COLOURS	Matte Navy Blue/Purple/Peach
FRAME	ALUXX-Grade Aluminum
FORK	Fox Float CTD Evolution, 15mm Thru-Axle, Remote Lockout, 1-1/8" Steerer, 100mm
SHOCK	N/A
COMPONENTS	
HANDLEBAR	Giant Connect XC, 31.8
STEM	Giant Connect
SEATPOST	Giant Connect, 30.9
SADDLE	Liv Contact, Upright
PEDALS	Platform MTB
DRIVETRAIN	
SHIFTERS	Shimano Deore
FRONT DERAILLEUR	Shimano Deore
REAR DERAILLEUR	Shimano XT, Shadow+
BRAKES	Shimano M355 Hydraulic Disc, 160mm
BRAKE LEVERS	Shimano M355
CASSETTE	Shimano HG50, 11-36, 10-Speed
CHAIN	KMC X10
CRANKSET	Shimano Deore, 24/38
BOTTOM BRACKET	Shimano Cartridge
WHEELS	
RIMS	Giant S-XC 27.5"
HUBS	Giant Tracker Sport, [F] 15mm Thru-Axle [R] 135x5mm QR
SPOKES	Stainless
TIRES	Schwalbe Rapid Rob, 27.5x2.25"



FRAME GEOMETRY

SIZE	PART NUMBER	HEAD ANGLE	SEAT ANGLE*	TOP TUBE**	HEAD TUBE	CHAINSTAY	WHEEL-BASE	STANDOVER HEIGHT***
A	B	C	D	E	F	G	H	
in	Blue	deg	deg	in	in	in	in	in
S/16	50040514	70	73.5	22.4	4.7	17.3	42.4	25.7
M/18	50040515	70	73	23.2	5.3	17.3	43	27
L/20	50040516	70	72.5	23.6	5.9	17.3	43.2	28.4

*Seat angle is actual. **Tuptube is measured from center of the headtube horizontally back to the top of the effective extension of the seattube. ***Standover height is based on the largest size tire that will fit the bike, not necessarily the included size tire. Specifications subject to change.

TEMPT 2

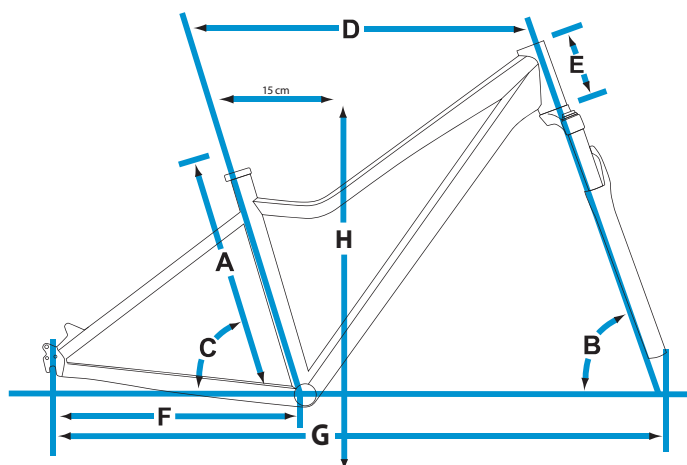
\$1,029

ALUXX
Aluminum technology



SPECIFICATIONS

FRAME	
SIZES	XS, S, M, L
COLOURS	White/Blue/Purple
FRAME	ALUXX-Grade Aluminum
FORK	RockShox XC 30 TK Coil, Steel Stanchion, w/ Lock-Out, 100mm
SHOCK	N/A
COMPONENTS	
HANDLEBAR	Giant Connect XC, 31.8
STEM	Giant Sport
SEATPOST	Giant Sport, 30.9
SADDLE	Liv Contact, Upright
PEDALS	Platform MTB
DRIVETRAIN	
SHIFTERS	Shimano Deore
FRONT DERAILLEUR	Shimano Deore
REAR DERAILLEUR	Shimano Deore, Shadow+
BRAKES	Tektro HDC-M291 Hydraulic Disc, 160mm
BRAKE LEVERS	Tektro HDC-M291
CASSETTE	Shimano HG50, 11-36, 10-Speed
CHAIN	KMC X10
CRANKSET	Shimano M522, 24/32/42
BOTTOM BRACKET	Shimano Cartridge
WHEELS	
RIMS	Giant CR70 27.5", Alloy, Double wall
HUBS	Giant Tracker Sport, 32h
SPOKES	Stainless
TIRES	Giant Sport, 27.5x2.1"



FRAME GEOMETRY

SIZE	PART NUMBER	HEAD ANGLE	SEAT ANGLE*	TOP TUBE**	HEADTUBE	CHAINSTAY	WHEEL-BASE	STANDOVER HEIGHT***
A	B	C	D	E	F	G	H	
in	White/Blue	deg	deg	in	in	in	in	in
XS/14	50040613	69.5	74	21.7	3.9	17.3	42	24.2
S/16	50040614	70	73.5	22.4	4.7	17.3	42.4	25.7
M/18	50040615	70	73	23.2	5.3	17.3	43	27
L/20	50040616	70	72.5	23.6	5.9	17.3	43.2	28.4

*Seat angle is actual. **Tuptube is measured from center of the headtube horizontally back to the top of the effective extension of the seattube. ***Standover height is based on the largest size tire that will fit the bike, not necessarily the included size tire. Specifications subject to change.

TEMPT 3



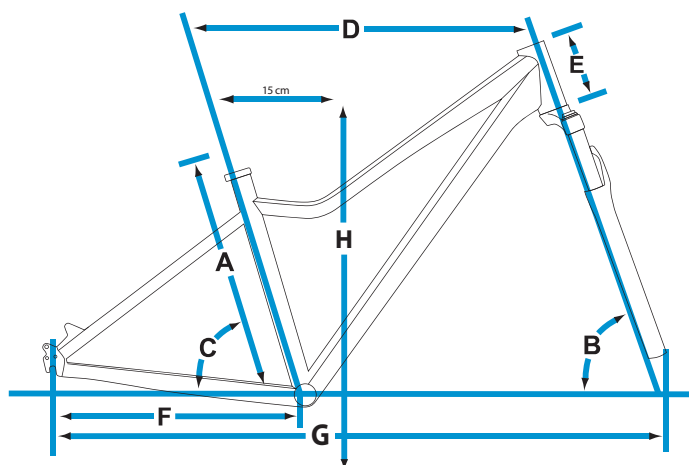
\$659

ALUXX
Aluminum technology



SPECIFICATIONS

FRAME	
SIZES	XS, S, M, L
COLOURS	Black/Silver/Purple
FRAME	ALUXX-Grade Aluminum
FORK	SR Suntour XCM HLO Coil, w/ lockout, 100mm
SHOCK	N/A
COMPONENTS	
HANDLEBAR	Giant Connect XC, 31.8
STEM	Giant Sport
SEATPOST	Giant Sport, 30.9
SADDLE	Liv Contact, Upright
PEDALS	Platform MTB
DRIVETRAIN	
SHIFTERS	Shimano Altus
FRONT DERAILLEUR	Shimano Altus
REAR DERAILLEUR	Shimano Alivio
BRAKES	Tektro HDC-M291 Hydraulic Disc, 160mm
BRAKE LEVERS	Tektro HDC-M291 Hydraulic Disc, 160mm
CASSETTE	Shimano HG20, 11-34, 9-Speed
CHAIN	KMC X9
CRANKSET	FSA Dynadride, 22/32/44
BOTTOM BRACKET	FSA Cartridge
WHEELS	
RIMS	Giant CR70 27.5", Alloy, Double wall
HUBS	Giant Tracker Sport, 32h
SPOKES	Stainless
TIRES	Giant Sport, 27.5x2.1"



FRAME GEOMETRY

SIZE	PART NUMBER	HEAD ANGLE	SEAT ANGLE*	TOP TUBE**	HEADTUBE	CHAINSTAY	WHEEL-BASE	STANDOVER HEIGHT***
A		B	C	D	E	F	G	H
in	Black	deg	deg	in	in	in	in	in
XS/14	50040823	69.5	74	21.7	3.9	17.3	42	24.2
S/16	50040824	70	73.5	22.4	4.7	17.3	42.4	25.7
M/18	50040825	70	73	23.2	5.3	17.3	43	27
L/20	50040826	70	72.5	23.6	5.9	17.3	43.2	28.4

*Seat angle is actual. **Top tube is measured from center of the headtube horizontally back to the top of the effective extension of the seat tube. ***Standover height is based on the largest size tire that will fit the bike, not necessarily the included size tire. Specifications subject to change.

TEMPT 4

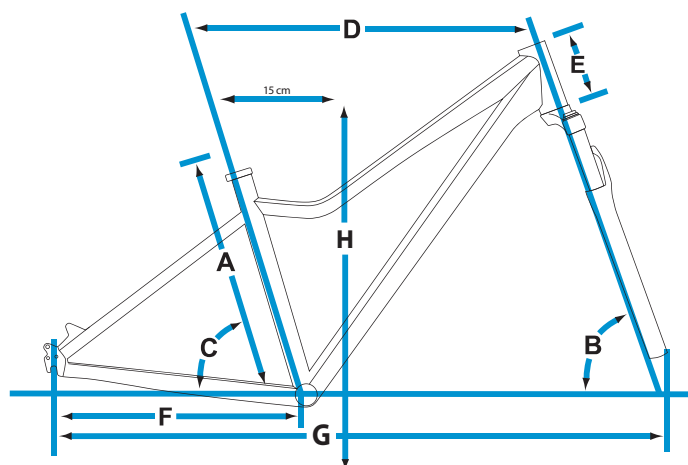
\$589

ALUXX
Aluminum technology



SPECIFICATIONS

FRAME	
SIZES	XS, S, M, L
COLOURS	Purple/Violet
FRAME	ALUXX-Grade Aluminum
FORK	SR Suntour XCT HLO, w/ lockout, 80mm
SHOCK	N/A
COMPONENTS	
HANDLEBAR	Giant Connect XC, 31.8
STEM	Giant Sport
SEATPOST	Giant Sport, 30.9
SADDLE	Liv Connect, Upright
PEDALS	Platform MTB
DRIVETRAIN	
SHIFTERS	Shimano Altus
FRONT DERAILLEUR	Shimano Altus
REAR DERAILLEUR	Shimano Acera
BRAKES	Tektro HDC-M290 Hydraulic Disc, 160mm
BRAKE LEVERS	Tektro HDC-M290
CASSETTE	Shimano HG31, 11-34, 8-Speed
CHAIN	KMC Z8
CRANKSET	SR Suntour NEX, 24/34/42
BOTTOM BRACKET	SR Suntour Cartridge
WHEELS	
RIMS	Giant CR70 27.5", Alloy, Double wall
HUBS	Giant Tracker Sport, 32h
SPOKES	Stainless
TIRES	Giant Sport, 27.5x2.1"



FRAME GEOMETRY

SIZE	PART NUMBER	HEAD ANGLE	SEAT ANGLE*	TOP TUBE**	HEADTUBE	CHAINSTAY	WHEEL-BASE	STANDOVER HEIGHT***
A		B	C	D	E	F	G	H
in	Purple	deg	deg	in	in	in	in	in
XS/14	50040923	69.5	74	21.7	3.9	17.3	42	24.2
S/16	50040924	70	73.5	22.4	4.7	17.3	42.4	25.7
M/18	50040925	70	73	23.2	5.3	17.3	43	27
L/20	50040926	70	72.5	23.6	5.9	17.3	43.2	28.4

*Seat angle is actual. **Top tube is measured from center of the headtube horizontally back to the top of the effective extension of the seat tube. ***Standover height is based on the largest size tire that will fit the bike, not necessarily the included size tire. Specifications subject to change.

ENCHANT 1



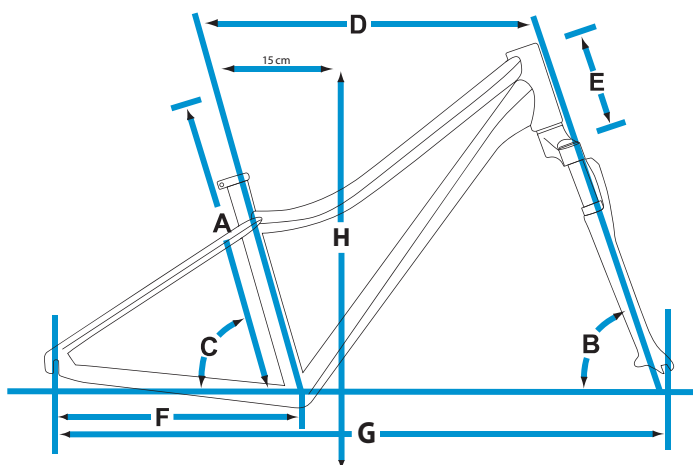
\$479

ALUXX
Aluminum technology



SPECIFICATIONS

FRAME	
SIZES	PT, XS, S, M
COLOURS	White/Green
FRAME	ALUXX-Grade Aluminum
FORK	Suntour M3030 AL, 75mm
SHOCK	N/A
COMPONENTS	
HANDLEBAR	Giant Connect XC, 31.8
STEM	Giant Sport
SEATPOST	Giant Sport, 30.9
SADDLE	Liv Connect, Upright
PEDALS	Resin Platform
DRIVETRAIN	
SHIFTERS	Shimano EF51
FRONT DERAILLEUR	Shimano M190
REAR DERAILLEUR	Shimano Acera
BRAKES	MTB alloy linear pull
BRAKE LEVERS	Shimano EF51
CASSETTE	Shimano HG31, 11-32, 8-speed
CHAIN	KMC Z8
CRANKSET	SR Suntour NEX, 24/34/42
BOTTOM BRACKET	SR Suntour Cartridge
WHEELS	
RIMS	Giant CR70 26", Alloy, Double wall
HUBS	Alloy 32h, Disc
SPOKES	Stainless
TIRES	Kenda K892, 26x2.1"
EXTRAS	
Kickstand	



FRAME GEOMETRY

SIZE	PART NUMBER	HEAD ANGLE	SEAT ANGLE*	TOP TUBE**	HEADTUBE	CHAINSTAY	WHEEL-BASE	STANDOVER HEIGHT***
A		B	C	D	E	F	G	H
in	White/Green	deg	deg	in	in	in	in	in
PT/13	50052722	69	75	20.1	4.3	16.7	40.3	24.4
XS/14	50052723	70	74	21.3	5.1	16.7	40.7	24.9
S/16	50052724	70	74	22.2	5.9	16.7	41.8	25.9
M/18	50052725	70	74	23.2	7.1	16.7	42.9	27.2

*Seat angle is actual. **Tuptube is measured from center of the headtube horizontally back to the top of the effective extension of the seattube. ***Standover height is based on the largest size tire that will fit the bike, not necessarily the included size tire. Specifications subject to change.

ENCHANT 2



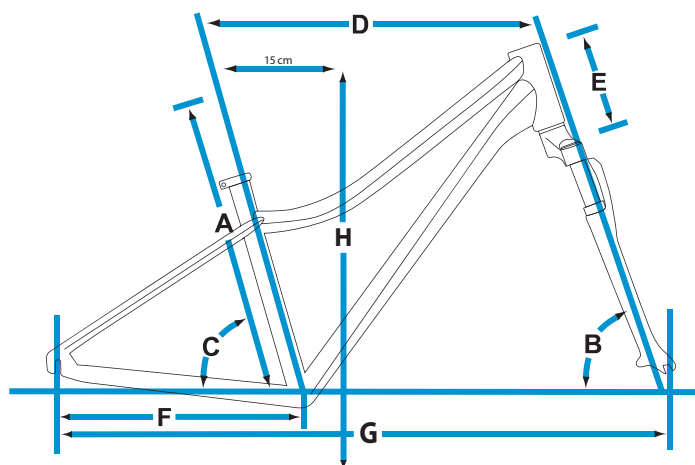
\$419

ALUXX
Aluminum technology



SPECIFICATIONS

FRAME	
SIZES	PT, XS, S, M
COLOURS	Black, Light Blue
FRAME	ALUXX-Grade Aluminum
FORK	Suntour M3010 AL, 63mm
SHOCK	N/A
COMPONENTS	
HANDLEBAR	Giant Connect XC, 31.8
STEM	Giant Sport
SEATPOST	Giant Sport, 30.9
SADDLE	Liv Connect, Upright
PEDALS	Resin Platform
DRIVETRAIN	
SHIFTERS	Shimano EF40
FRONT DERAILLEUR	Shimano Tourney
REAR DERAILLEUR	Shimano Tourney
BRAKES	MTB alloy linear pull
BRAKE LEVERS	Shimano EF40
CASSETTE	Shimano TZ21, 14-24, 7-Speed
CHAIN	KMC Z51
CRANKSET	SR Suntour NEX, 24/34/42
BOTTOM BRACKET	SR Suntour Cartridge
WHEELS	
RIMS	Giant CH17 26", Alloy
HUBS	32h
SPOKES	Stainless
TIRES	Kenda K892, 26x2.1"
EXTRAS	
Kickstand	



FRAME GEOMETRY

SIZE	PART NUMBER	PART NUMBER	HEAD ANGLE	SEAT ANGLE*	TOP TUBE**	HEAD-TUBE	CHAINSTAY	WHEEL-BASE	STANDOVER HEIGHT***
A			B	C	D	E	F	G	H
in	Black	Light Blue	deg	deg	in	in	in	in	in
PT/13	50052812	50052822	69	75	20.1	4.3	16.7	40.3	24.4
XS/14	50052813	50052823	70	74	21.3	5.1	16.7	40.7	24.9
S/16	50052814	50052824	70	74	22.2	5.9	16.7	41.8	25.9
M/18	50052815	50052825	70	74	23.2	7.1	16.7	42.9	27.2

*Seat angle is actual. **Top tube is measured from center of the headtube horizontally back to the top of the effective extension of the seat tube. ***Standover height is based on the largest size tire that will fit the bike, not necessarily the included size tire. Specifications subject to change.

GIANT Liv

SMALL WHEELS, BIG SMILES

It's a big part of growing up. Getting a first bike, learning to ride, feeling a rush of freedom as you pedal down the driveway, the neighborhood, the local dirt trails. From learner bikes to special adjustable bikes that last for years, Giant and Liv Youth bikes are the start of something special.



WHERE DO YOU RIDE?



BOYS ON-ROAD

I ride on streets and bike paths.



GIRLS ON-ROAD

I ride on streets and bike paths.



BMX

I ride street, parks and dirt.



BOYS OFF-ROAD

I ride dirt paths and park trails.



GIRLS OFF-ROAD

I ride dirt paths and park trails.

sprockids

PROUDLY SPONSORED BY 



sprockids.com

Sprockids is a worldwide cycling program that is dedicated to creating a community for youth to engage in a lifelong healthy lifestyle while teaching them the skills, strategies and values to help them succeed in school and in life.

Giant's partnership with Sprockids is the perfect way to strengthen your ties to your community, actively and positively engage youth in the sport of cycling, gain new customers and increase sales. Sprockids provides a legacy program that not only connects with young riders but with their family as well. Across Canada Giant dealers have the exclusive rights to run the Sprockids program in your area giving you the advantage over your competition. Now more than ever the bike industry needs to connect to the younger generations – our future depends upon it.

TCR ESPOIR 24

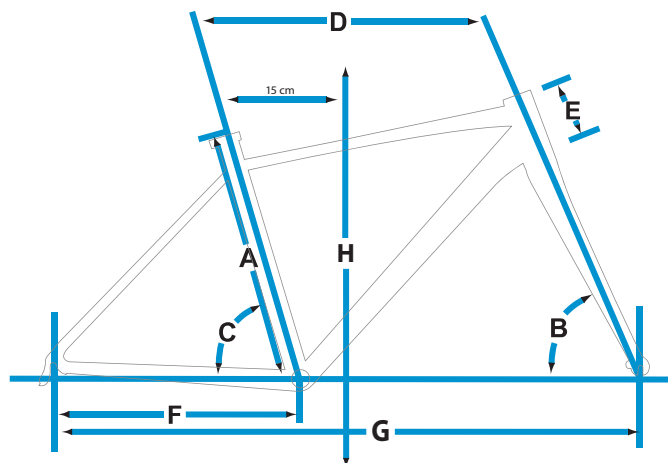


\$649



SPECIFICATIONS

FRAME	
SIZES	24" Wheel
COLOURS	Black/Blue/White
FRAME	ALUXX-Grade Aluminum
FORK	ALUXX-Grade Aluminum, OverDrive Steerer
SHOCK	N/A
COMPONENTS	
HANDLEBAR	Giant Sport, 380mm, 124mm Drop, 31.8
STEM	Giant Sport
SEATPOST	Giant Sport, 27.2
SADDLE	Giant Growing Concept
PEDALS	Caged w/ Clips
DRIVETRAIN	
SHIFTERS	Shimano Claris
FRONT DERAILLEUR	Shimano Claris
REAR DERAILLEUR	Shimano Claris
BRAKES	Alloy
BRAKE LEVERS	Shimano ST-2400
CASSETTE	Shimano HG50, 11-30, 8-speed
CHAIN	KMC Z51
CRANKSET	Prowheel w/ chain guard, 34/48
BOTTOM BRACKET	Cartridge
WHEELS	
RIMS	Giant Alloy ,DoubleWall
HUBS	Alloy, F/R 20/28H
SPOKES	Stainless
TIRES	Kenda K191, 24x1"



FRAME GEOMETRY

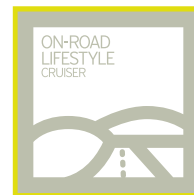
SIZE	PART NUMBER	HEAD ANGLE	SEAT ANGLE*	TOP TUBE**	HEAD TUBE	CHAINSTAY	WHEELBASE	STANDOVER HEIGHT***
A		B	C	D	E	F	G	H
cm	Black	deg	deg	cm	cm	cm	cm	cm
34.5	50060110	71	70	49.7	10.9	38.3	90.5	58.9

*Seat angle is actual. **Top tube is measured from center of the headtube horizontally back to the top of the effective extension of the seat tube. ***Standover height is based on the largest size tire that will fit the bike, not necessarily the included size tire. Specifications subject to change.

MODA

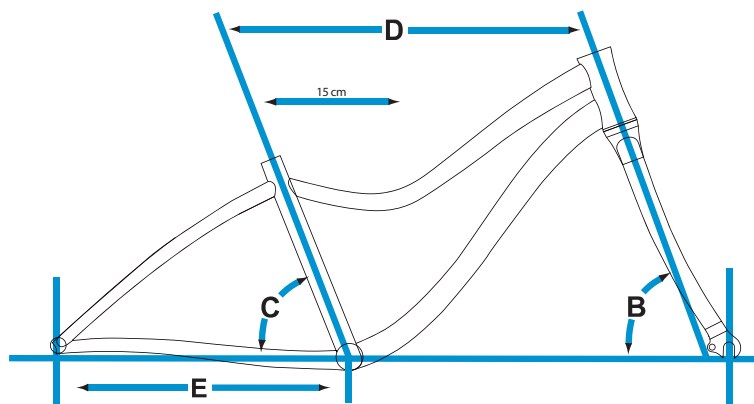
\$289

ALUXX
ALUMINUM TECHNOLOGY



SPECIFICATIONS

FRAME	
SIZES	20" Wheel
COLOURS	Black/Silver/Yellow
FRAME	ALUXX-Grade Aluminum
FORK	High-Tensile Steel
SHOCK	N/A
COMPONENTS	
HANDLEBAR	Low Rise, 25.4
STEM	Alloy Quill
SEATPOST	Steel 27.2
SADDLE	Giant Growing Concept
PEDALS	Nylon Platform
DRIVETRAIN	
SHIFTERS	N/A
FRONT DERAILLEUR	N/A
REAR DERAILLEUR	N/A
BRAKES	Alloy Direct Pull
BRAKE LEVERS	Alloy Jr. Adjustable Reach
CASSETTE	18
CHAIN	KMC C410
CRANKSET	High Tensile Steel, 1-Piece, 36
BOTTOM BRACKET	Loose Ball
WHEELS	
RIMS	Alloy, 20"
HUBS	Coaster, Nuted, 36h
SPOKES	14G UCP
TIRES	Kenda Street, 20x2.1"
EXTRAS	
Kickstand, Bell	



FRAME GEOMETRY

SIZE	PART NUMBER	HEAD ANGLE	SEAT ANGLE*	TOP TUBE**	CHAINSTAY
A		B	C	D	E
wheel	Black	deg	deg	in	in
20"	50063320	70	68	19	15

*Seat angle is actual. **Tuptube is measured from center of the headtube horizontally back to the top of the effective extension of the seattube. ***Standover height is based on the largest size tire that will fit the bike, not necessarily the included size tire. Specifications subject to change.

BELLA

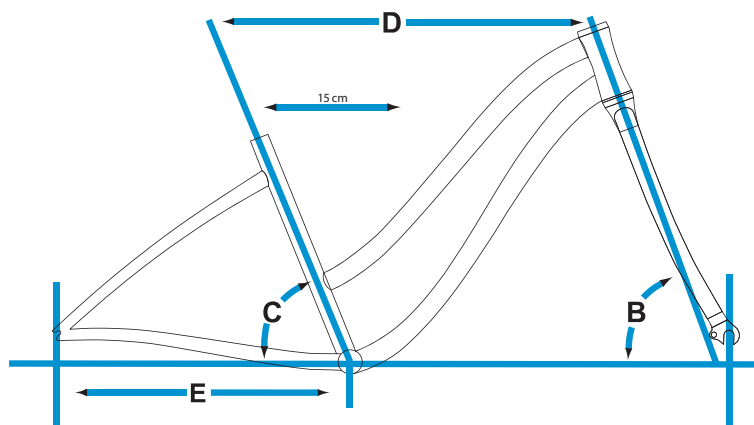
\$289



SPECIFICATIONS

FRAME	
SIZES	20" Wheel
COLOURS	Aqua/Purple
FRAME	ALUXX-Grade Aluminum
FORK	High-Tensile Steel
SHOCK	N/A
COMPONENTS	
HANDLEBAR	Low Rise, 25.4
STEM	Alloy Quill
SEATPOST	Steel 27.2
SADDLE	Giant Growing Concept
PEDALS	Nylon Platform
DRIVETRAIN	
SHIFTERS	N/A
FRONT DERAILLEUR	N/A
REAR DERAILLEUR	N/A
BRAKES	Alloy Direct Pull
BRAKE LEVERS	Alloy Jr. Adjustable Reach
CASSETTE	18
CHAIN	KMC C410
CRANKSET	High Tensile Steel, 1-Piece, 36
BOTTOM BRACKET	Loose Ball
WHEELS	
RIMS	Alloy, 20"
HUBS	Coaster, Nuted, 36h
SPOKES	14G UCP
TIRES	Kenda Street, 20x2.1"
EXTRAS	

Kickstand, Bell



FRAME GEOMETRY

SIZE	PART NUMBER	HEAD ANGLE	SEAT ANGLE*	TOP TUBE**	CHAINSTAY
A		B	C	D	E
wheel	Aqua	deg	deg	in	in
20"	50062620	70	68	19	15

*Seat angle is actual. **Tuptube is measured from center of the headtube horizontally back to the top of the effective extension of the seattube. ***Standover height is based on the largest size tire that will fit the bike, not necessarily the included size tire. Specifications subject to change.

ANIMATOR C/B 16

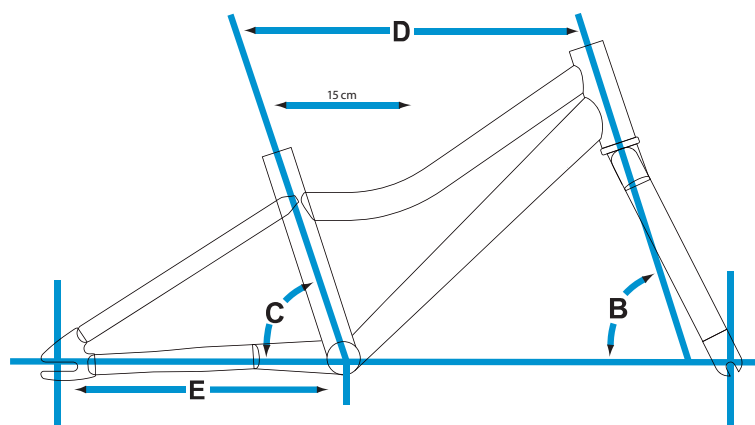


\$199



SPECIFICATIONS

FRAME	
SIZES	16" Wheel
COLOURS	Black/White/Blue, Black/White/Red
FRAME	ALUXX-Grade Aluminum
FORK	High-Tensile Steel
SHOCK	N/A
COMPONENTS	
HANDLEBAR	Steel
STEM	Alloy Quill
SEATPOST	Steel 27.2
SADDLE	Giant Growing Concept
PEDALS	Nylon Platform
DRIVETRAIN	
SHIFTERS	N/A
FRONT DERAILLEUR	N/A
REAR DERAILLEUR	N/A
BRAKES	Coaster
BRAKE LEVERS	N/A
CASSETTE	16
CHAIN	KMC C410
CRANKSET	High Tensile Steel, 1-Piece, 28
BOTTOM BRACKET	Loose Ball
WHEELS	
RIMS	Alloy, 16"
HUBS	Coaster, Nuted, 20h
SPOKES	14G UCP
TIRES	Giant Kids, 16x2.125"
EXTRAS	
Training Wheels, Bell	

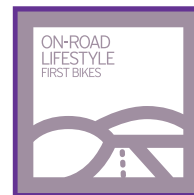


FRAME GEOMETRY

SIZE	PART NUMBER	PART NUMBER	HEAD ANGLE	SEAT ANGLE*	TOP TUBE**	CHAINSTAY
A			B	C	D	E
wheel	White/Blue	White/Red	deg	deg	in	in
16"	50061810	50062010	NA	NA	NA	NA

*Seat angle is actual. **Top tube is measured from center of the headtube horizontally back to the top of the effective extension of the seat tube. ***Standover height is based on the largest size tire that will fit the bike, not necessarily the included size tire. Specifications subject to change.

ADORE C/B 16



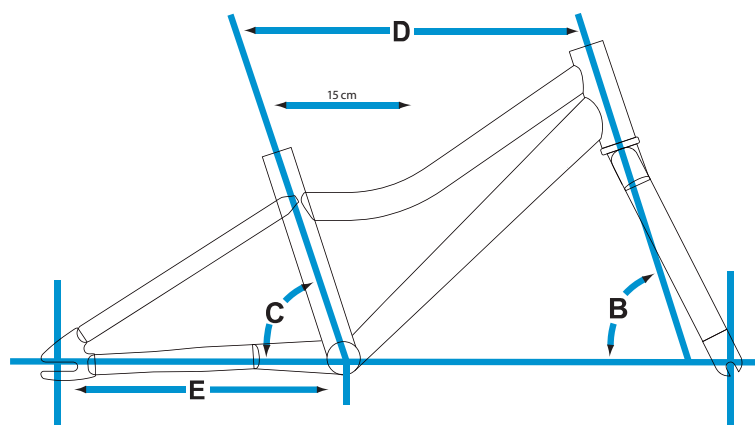
\$199



SPECIFICATIONS

FRAME	
SIZES	16" Wheel
COLOURS	White/Turquoise, Lavender/Pink
FRAME	ALUXX-Grade Aluminum
FORK	High-Tensile Steel
SHOCK	N/A
COMPONENTS	
HANDLEBAR	Steel
STEM	Alloy Quill
SEATPOST	Steel 27.2
SADDLE	Giant Growing Concept
PEDALS	Nylon Platform
DRIVETRAIN	
SHIFTERS	N/A
FRONT DERAILLEUR	N/A
REAR DERAILLEUR	N/A
BRAKES	Coaster
BRAKE LEVERS	N/A
CASSETTE	16
CHAIN	KMC C410
CRANKSET	High Tensile Steel, 1-Piece, 28
BOTTOM BRACKET	Loose Ball
WHEELS	
RIMS	Alloy, 16"
HUBS	Coaster, Nuted, 20h
SPOKES	14G UCP
TIRES	Giant Kids, 16x2.125"
EXTRAS	

Training Wheels, Bell, Basket



FRAME GEOMETRY

SIZE	PART NUMBER	PART NUMBER	HEAD ANGLE	SEAT ANGLE*	TOP TUBE**	CHAINSTAY
A			B	C	D	E
wheel	White	Lavender	deg	deg	in	in
16"	50060810	50060820	NA	NA	NA	NA

*Seat angle is actual. **Tuptube is measured from center of the headtube horizontally back to the top of the effective extension of the seattube. ***Standover height is based on the largest size tire that will fit the bike, not necessarily the included size tire. Specifications subject to change.

ANIMATOR C/B 12

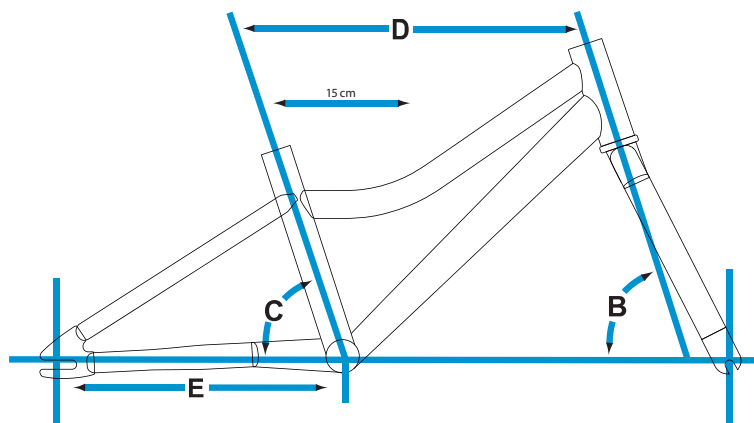


\$189



SPECIFICATIONS

FRAME	
SIZES	12" Wheel
COLOURS	Red/Blue, Black/Blue/Green
FRAME	ALUXX-Grade Aluminum
FORK	High-Strength Rigid Synthetic, 1-1/8", Steel Steerer w/ Dropout Cap
SHOCK	N/A
COMPONENTS	
HANDLEBAR	Steel
STEM	Alloy Quill
SEATPOST	Steel 22.2
SADDLE	Giant Growing Concept
PEDALS	Nylon Platform
DRIVETRAIN	
SHIFTERS	N/A
FRONT DERAILLEUR	N/A
REAR DERAILLEUR	N/A
BRAKES	Coaster
BRAKE LEVERS	N/A
CASSETTE	19
CHAIN	KMC C410
CRANKSET	High Tensile Steel, 1-Piece, 28
BOTTOM BRACKET	Loose Ball
WHEELS	
RIMS	Alloy, 12"
HUBS	Coaster, Nitted, 16h
SPOKES	14G UCP
TIRES	Giant Easy Balance, 12x2.125"
EXTRAS	
Training Wheels, Bell	



FRAME GEOMETRY

SIZE	PART NUMBER	PART NUMBER	HEAD ANGLE	SEAT ANGLE*	TOP TUBE**	CHAINSTAY
A			B	C	D	E
wheel	Red	Black	deg	deg	in	in
12"	50061910	50061920	NA	NA	NA	NA

*Seat angle is actual. **Tuptube is measured from center of the headtube horizontally back to the top of the effective extension of the seattube. ***Standover height is based on the largest size tire that will fit the bike, not necessarily the included size tire. Specifications subject to change.

ADORE C/B 12



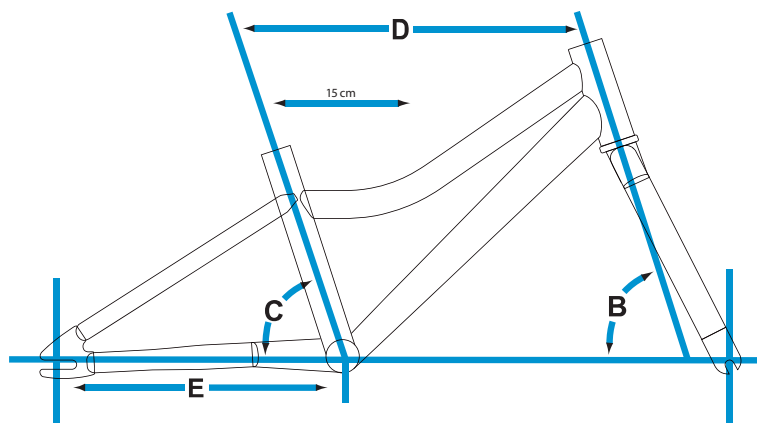
\$189



SPECIFICATIONS

FRAME	
SIZES	12" Wheel
COLOURS	Light Pink/Pink, Light Pink/Light Blue
FRAME	ALUXX-Grade Aluminum
FORK	High-Strength Rigid Synthetic, 1-1/8", Steel Steerer w/ Dropout Cap
SHOCK	N/A
COMPONENTS	
HANDLEBAR	Steel
STEM	Alloy Quill
SEATPOST	Steel 22.2
SADDLE	Giant Growing Concept
PEDALS	Nylon Platform
DRIVETRAIN	
SHIFTERS	N/A
FRONT DERAILLEUR	N/A
REAR DERAILLEUR	N/A
BRAKES	Coaster
BRAKE LEVERS	N/A
CASSETTE	19
CHAIN	KMC C410
CRANKSET	High Tensile Steel, 1-Piece, 28
BOTTOM BRACKET	Loose Ball
WHEELS	
RIMS	Alloy, 12"
HUBS	Coaster, Nitted, 16h
SPOKES	14G UCP
TIRES	Giant Easy Balance, 12x2.125"
EXTRAS	

Training Wheels, Bell, Basket



FRAME GEOMETRY

SIZE	PART NUMBER	PART NUMBER	HEAD ANGLE*	SEAT ANGLE**	TOP TUBE	CHAINSTAY
	A		B	C	D	E
wheel	Pink	Light Pink	deg	deg	in	in
12"	50060710	50060720	NA	NA	NA	NA

*Seat angle is actual. **Toptube is measured from center of the headtube horizontally back to the top of the effective extension of the seattube. ***Standover height is based on the largest size tire that will fit the bike, not necessarily the included size tire. Specifications subject to change.

PRE PUSH BIKE

TWO WHEELS, TONS OF FUN. WATCH THEM DEVELOP BALANCE & CONFIDENCE WITH THIS EASY-TO-RIDE LEARNER'S BIKE.

\$139⁹⁹ **ALUXX**
ALUMINUM TECHNOLOGY



With a lightweight aluminum frame that's designed with a low standover height, Pre inspires young riders to get rolling. Made with 12-inch wheels and a quick-adjust saddle, it's the perfect way to begin their cycling adventures.

FEATURES

- Lightweight ALUXX-grade aluminum frame
- Innovative lightweight polymer fork
- Sleek design makes learning easy



BLUE/GREEN
57000023



RED/BLUE
57000024



LIGHT BLUE/PINK
57000026



PINK/PURPLE
57000025

LIL' GIANT 2 TRIKE



\$149⁹⁹ **ALUXX**
Aluminum Technology

FEATURES

- Lightweight ALUXX formed aluminum frame
- Urethane mini-scooter style wheels w/ cartridge type bearings
- Molded 8-ply wooden rear deck
- Ball bearing headset



BLUE
570000003



PINK
570000004

HALFWHEELERS

ALUXX
Aluminum Technology



HALFWHEELER 7-SPEED

- 7-Speed drivetrain
- Tool-free linkage attaches in seconds
- Tool-free folding mechanism for compact storage
- Hi-ten steel frame
- 20" wheel with MTB tire
- Comfortable upright riding position
- Includes safety flag

Item	Type	Colour	Price
570000002	7-SPEED	BLACK	\$299.99



HALFWHEELER 1-SPEED

- 1-Speed drivetrain
- Tool-free linkage attaches in seconds
- Tool-free folding mechanism for compact storage
- Hi-ten steel frame
- 20" wheel with MTB tire
- Comfortable upright riding position
- Includes safety flag

Item	Type	Colour	Price
570000001	1-SPEED	WHITE	\$249.99

XTC SL JR 24



\$599

ALUXX
ALUMINUM TECHNOLOGY



SPECIFICATIONS

FRAME

SIZES	24" Wheel
COLOURS	Black/White/Blue
FRAME	ALUXX-Grade Aluminum
FORK	SR Suntour XCR LO Air, Progressive Air w/ Lock-Out, Alloy Stanchion, 65mm
SHOCK	N/A

COMPONENTS

HANDLEBAR	Giant Sport, Low Rise 31.8
STEM	Giant Sport
SEATPOST	Alloy, 27.2
SADDLE	Giant Growing Concept
PEDALS	Giant Jr. MTB

DRIVETRAIN

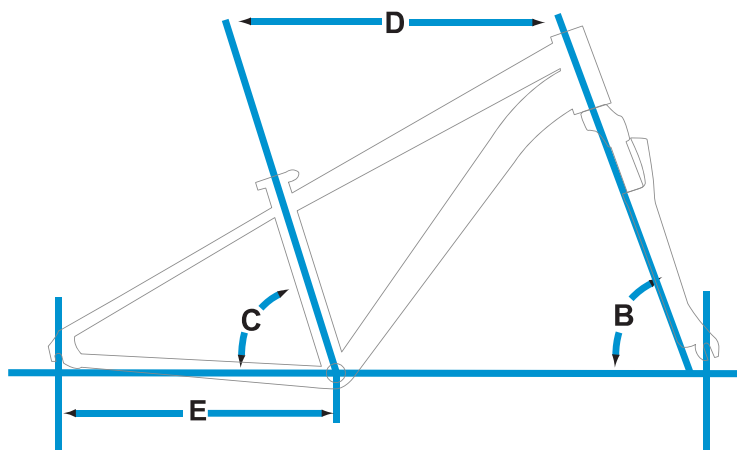
SHIFTERS	Shimano Altus
FRONT DERAILLEUR	Shimano M190
REAR DERAILLEUR	Shimano Acera
BRAKES	Tektro HDC-290 Hydraulic Disc, 140mm
BRAKE LEVERS	Tektro HDC-290
CASSETTE	Shimano HG31, 11-34, 8-speed
CHAIN	KMC Z8
CRANKSET	Prowheel BURNER-301, 22/32/42
BOTTOM BRACKET	Semi-Cartridge

WHEELS

RIMS	Giant XtC 24", Alloy, Double Wall
HUBS	Alloy, 32h
SPOKES	Stainless
TIRES	Giant S-XC4, 24x1.95"

EXTRAS

Bell



FRAME GEOMETRY

SIZE	PART NUMBER	HEAD ANGLE	SEAT ANGLE*	TOP TUBE**	CHAINSTAY
A		B	C	D	E
wheel	Black	deg	deg	in	in
24"	50064410	72	73	20.5	16.2

*Seat angle is actual. **Tuptube is measured from center of the headtube horizontally back to the top of the effective extension of the seattube. ***Standover height is based on the largest size tire that will fit the bike, not necessarily the included size tire. Specifications subject to change.

XTC JR 24



\$369

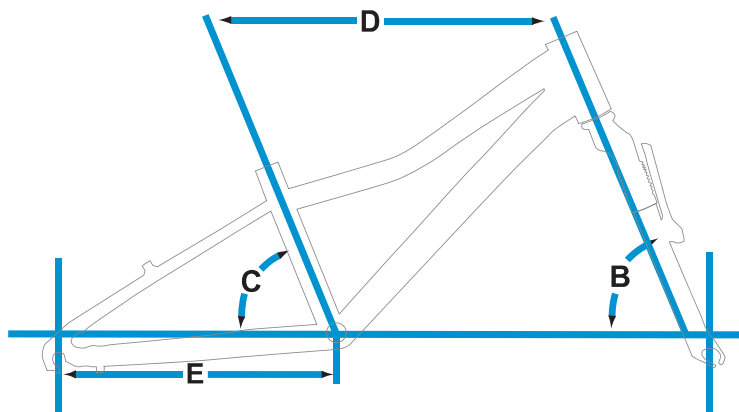
ALUXX
Aluminum technology



SPECIFICATIONS

FRAME	
SIZES	24" Wheel
COLOURS	Blue/White
FRAME	ALUXX-Grade Aluminum
FORK	HL Alloy, 50mm
SHOCK	N/A
COMPONENTS	
HANDLEBAR	Giant Jr MTB, Steel, Low Rise, 25.4
STEM	Alloy
SEATPOST	Alloy, 27.2
SADDLE	Giant Growing Concept
PEDALS	Giant Jr. MTB
DRIVETRAIN	
SHIFTERS	Shimano Revo Twist
FRONT DERAILLEUR	Shimano Tourney
REAR DERAILLEUR	Shimano Altus
BRAKES	Alloy Direct Pull
BRAKE LEVERS	Giant Jr. MTB, Alloy
CASSETTE	14-34, 7-Speed
CHAIN	KMC HV500
CRANKSET	Alloy, 3-Piece, 24/34/42
BOTTOM BRACKET	Semi-Cartridge
WHEELS	
RIMS	Alloy, 24"
HUBS	Nutted, 32h
SPOKES	Stainless
TIRES	Giant Junior Lite Sport, 24x1.95"
EXTRAS	

Bell, Kickstand



FRAME GEOMETRY

SIZE	PART NUMBER	HEAD ANGLE	SEAT ANGLE*	TOP TUBE**	CHAINSTAY
A		B	C	D	E
wheel	Blue	deg	deg	in	in
24"	50063910	72	73	20.5	16.2

*Seat angle is actual. **Tuptube is measured from center of the headtube horizontally back to the top of the effective extension of the seattube. ***Standover height is based on the largest size tire that will fit the bike, not necessarily the included size tire. Specifications subject to change.

AREVA 24



\$369

ALUXX
Aluminum technology



SPECIFICATIONS

FRAME

SIZES 24" Wheel

COLOURS Pearl White/Blue/Purple

FRAME ALUXX-Grade Aluminum

FORK HL Alloy, 50mm

SHOCK N/A

COMPONENTS

HANDLEBAR Giant Jr MTB, Steel, Low Rise, 25.4

STEM Alloy

SEATPOST Alloy, 27.2

SADDLE Giant Growing Concept

PEDALS Giant Jr. MTB

DRIVETRAIN

SHIFTERS Shimano Revo Twist

FRONT DERAILLEUR Shimano Tourney

REAR DERAILLEUR Shimano Altus

BRAKES Alloy Direct Pull

BRAKE LEVERS Giant Jr. MTB, Alloy

CASSETTE 14-34, 7-Speed

CHAIN KMC HV500

CRANKSET Alloy, 3-Piece, 24/34/42

BOTTOM BRACKET Semi-Cartridge

WHEELS

RIMS Alloy, 24"

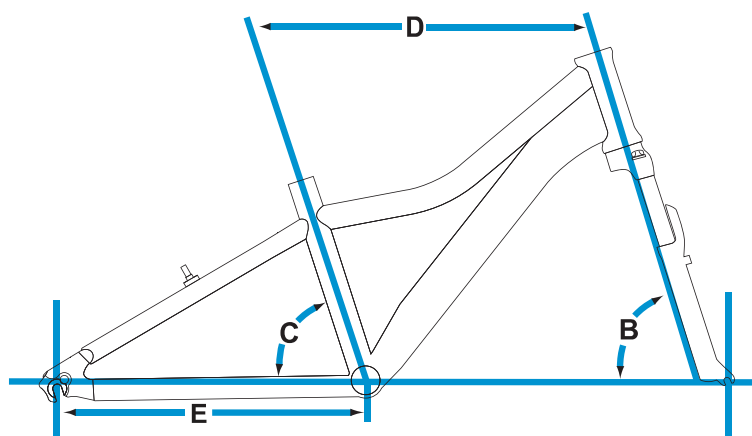
HUBS Nuted, 32h

SPOKES Stainless

TIRES Giant Junior Lite Sport, 24x1.95"

EXTRAS

Bell, Kickstand



FRAME GEOMETRY

SIZE	PART NUMBER	HEAD ANGLE	SEAT ANGLE*	TOP TUBE**	CHAINSTAY
A	B	C	D	E	
wheel	Pearl White	deg	deg	in	in
24"	50063410	72	73	20.5	16.2

*Seat angle is actual. **Tubtube is measured from center of the headtube horizontally back to the top of the effective extension of the seattube. ***Standover height is based on the largest size tire that will fit the bike, not necessarily the included size tire. Specifications subject to change.

XTC JR 24 LITE



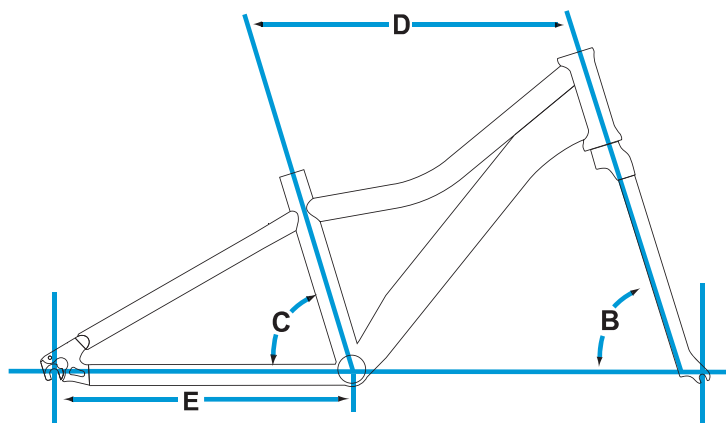
\$319



SPECIFICATIONS

FRAME	
SIZES	24" Wheel
COLOURS	Deep Blue/Blue/Orange
FRAME	ALUXX-Grade Aluminum
FORK	High-Tensile Steel
SHOCK	N/A
COMPONENTS	
HANDLEBAR	Giant Jr MTB, Steel, Low Rise, 25.4
STEM	Steel Quill
SEATPOST	Steel 27.2
SADDLE	Giant Growing Concept
PEDALS	Giant Jr. MTB
DRIVETRAIN	
SHIFTERS	Shimano Revo Twist
FRONT DERAILLEUR	N/A
REAR DERAILLEUR	Shimano Tourney
BRAKES	Alloy Direct Pull
BRAKE LEVERS	Giant Jr. MTB, Alloy
CASSETTE	14-34, 7-Speed
CHAIN	KMC HV500
CRANKSET	Alloy, 3-Piece, 36
BOTTOM BRACKET	Semi-Cartridge
WHEELS	
RIMS	Alloy, 24"
HUBS	Nutted, 32h
SPOKES	Stainless
TIRES	Giant Junior Lite Sport, 24x1.95"
EXTRAS	

Bell, Kickstand



FRAME GEOMETRY

SIZE	PART NUMBER	HEAD ANGLE	SEAT ANGLE*	TOP TUBE**	CHAINSTAY
A		B	C	D	E
wheel	Dark Blue	deg	deg	in	in
24"	50064310	72	73	20.5	16.2

*Seat angle is actual. **Tuptube is measured from center of the headtube horizontally back to the top of the effective extension of the seattube. ***Standover height is based on the largest size tire that will fit the bike, not necessarily the included size tire. Specifications subject to change.

AREVA 24 LITE



\$319

ALUXX
Aluminum technology



SPECIFICATIONS

FRAME

SIZES 24" Wheel

COLOURS Light Blue

FRAME ALUXX-Grade Aluminum

FORK High-Tensile Steel

SHOCK N/A

COMPONENTS

HANDLEBAR Giant Jr MTB, Steel, Low Rise, 25.4

STEM Steel Quill

SEATPOST Steel 27.2

SADDLE Giant Growing Concept

PEDALS Giant Jr. MTB

DRIVETRAIN

SHIFTERS Shimano Revo Twist

FRONT DERAILLEUR N/A

REAR DERAILLEUR Shimano Tourney

BRAKES Alloy Direct Pull

BRAKE LEVERS Giant Jr. MTB, Alloy

CASSETTE 14-34, 7-Speed

CHAIN KMC HV500

CRANKSET Alloy, 3-Piece, 36

BOTTOM BRACKET Semi-Cartridge

WHEELS

RIMS Alloy, 24"

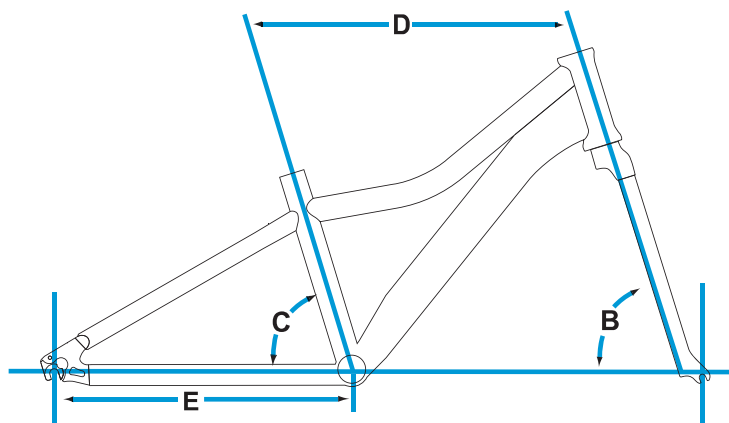
HUBS Nuted, 32h

SPOKES Stainless

TIRES Giant Junior Lite Sport, 24x1.95"

EXTRAS

Bell, Kickstand



FRAME GEOMETRY

SIZE	PART NUMBER	HEAD ANGLE	SEAT ANGLE*	TOP TUBE**	CHAINSTAY
A		B	C	D	E
wheel	Light Blue	deg	deg	in	in
24"	50063810	72	73	20.5	16.2

*Seat angle is actual. **Tuptube is measured from center of the headtube horizontally back to the top of the effective extension of the seattube. ***Standover height is based on the largest size tire that will fit the bike, not necessarily the included size tire. Specifications subject to change.

XTC JR 20



\$319

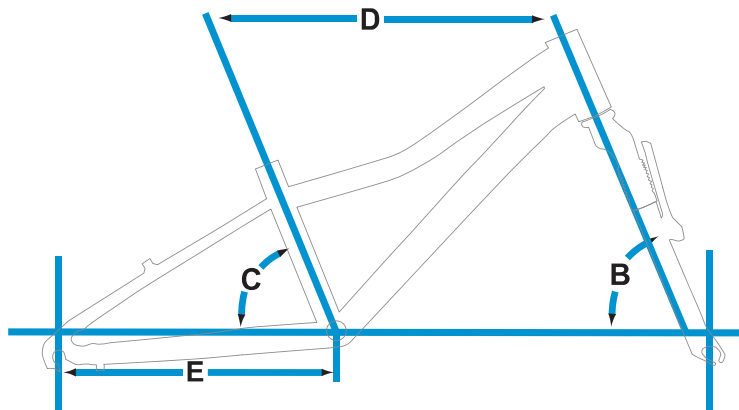
ALUXX
Aluminum technology



SPECIFICATIONS

FRAME	
SIZES	20" Wheel
COLOURS	Grey/White/Blue
FRAME	ALUXX-Grade Aluminum
FORK	HL Alloy, 50mm
SHOCK	N/A
COMPONENTS	
HANDLEBAR	Giant Jr MTB, Steel, Low Rise, 25.4
STEM	Alloy
SEATPOST	Alloy, 27.2
SADDLE	Giant Growing Concept
PEDALS	Giant Jr. MTB
DRIVETRAIN	
SHIFTERS	Shimano Revo Twist
FRONT DERAILLEUR	N/A
REAR DERAILLEUR	Shimano Tourney
BRAKES	Alloy Direct Pull
BRAKE LEVERS	Giant Jr. MTB, Alloy
CASSETTE	14-34, 7-Speed
CHAIN	KMC HV500
CRANKSET	Alloy, 3-Piece, 36
BOTTOM BRACKET	Semi-Cartridge
WHEELS	
RIMS	Alloy, 20"
HUBS	Nutted, 32h
SPOKES	Stainless
TIRES	Giant Junior Lite Sport, 20x1.95"
EXTRAS	

Bell, Kickstand



FRAME GEOMETRY

SIZE	PART NUMBER	HEAD ANGLE	SEAT ANGLE*	TOP TUBE**	CHAINSTAY
A		B	C	D	E
wheel	Gray	deg	deg	in	in
20"	50064110	72	72	17.4	14.7

*Seat angle is actual. **Tuptube is measured from center of the headtube horizontally back to the top of the effective extension of the seattube. ***Standover height is based on the largest size tire that will fit the bike, not necessarily the included size tire. Specifications subject to change.

AREVA 20



\$319

ALUXX
Aluminum Technology



SPECIFICATIONS

FRAME

SIZES 20" Wheel

COLOURS Silver/Pink/Purple

FRAME ALUXX-Grade Aluminum

FORK HL Alloy, 50mm

SHOCK N/A

COMPONENTS

HANDLEBAR Giant Jr MTB, Steel, Low Rise, 25.4

STEM Alloy

SEATPOST Alloy, 27.2

SADDLE Giant Growing Concept

PEDALS Giant Jr. MTB

DRIVETRAIN

SHIFTERS Shimano Revo Twist

FRONT DERAILLEUR N/A

REAR DERAILLEUR Shimano Tourney

BRAKES Alloy Direct Pull

BRAKE LEVERS Giant Jr. MTB, Alloy

CASSETTE 14-34, 7-Speed

CHAIN KMC HV500

CRANKSET Alloy, 3-Piece, 36

BOTTOM BRACKET Semi-Cartridge

WHEELS

RIMS Alloy, 20"

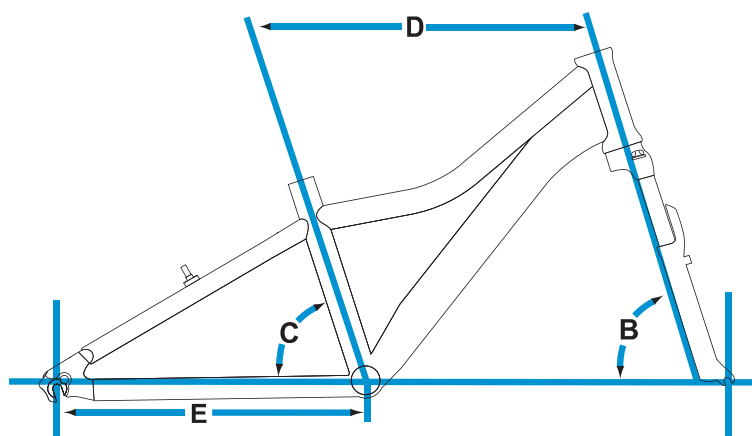
HUBS Nuted, 32h

SPOKES Stainless

TIRES Giant Junior Lite Sport, 20x1.95"

EXTRAS

Bell, Kickstand



FRAME GEOMETRY

SIZE	PART NUMBER	HEAD ANGLE	SEAT ANGLE*	TOP TUBE**	CHAINSTAY
A		B	C	D	E
wheel	Silver	deg	deg	in	in
20"	50063610	72	72	17.4	14.7

*Seat angle is actual. **Tuptube is measured from center of the headtube horizontally back to the top of the effective extension of the seattube. ***Standover height is based on the largest size tire that will fit the bike, not necessarily the included size tire. Specifications subject to change.

XTC JR 20 LITE

 OFF-ROAD
LIFESTYLE
RECREATION

\$289
ALUXX
Aluminum Technology


SPECIFICATIONS

FRAME

SIZES 20" Wheel

COLOURS Matte Black/Grey/Orange

FRAME ALUXX-Grade Aluminum

FORK High-Tensile Steel

SHOCK N/A

COMPONENTS

HANDLEBAR Giant Jr MTB, Steel, Low Rise, 25.4

STEM Steel Quill

SEATPOST Steel 27.2

SADDLE Giant Growing Concept

PEDALS Giant Jr. MTB

DRIVETRAIN

SHIFTERS Shimano Revo Twist

FRONT DERAILLEUR N/A

REAR DERAILLEUR Shimano Tourney

BRAKES Alloy Direct Pull

BRAKE LEVERS Giant Jr. MTB, Alloy

CASSETTE 14-34, 7-Speed

CHAIN KMC HV500

CRANKSET Alloy, 3-Piece, 36

BOTTOM BRACKET Semi-Cartridge

WHEELS

RIMS Alloy, 20"

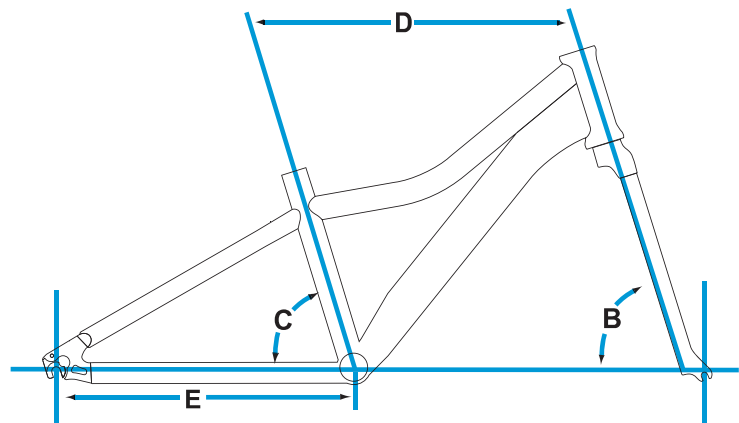
HUBS Nuted, 32h

SPOKES Stainless

TIRES Giant Junior Lite Sport, 20x1.95"

EXTRAS

Bell, Kickstand



FRAME GEOMETRY

SIZE	PART NUMBER	HEAD ANGLE	SEAT ANGLE*	TOP TUBE**	CHAINSTAY
A		B	C	D	E
wheel	Lite Black	deg	deg	in	in
20"	50064210	72	72	17.4	14.7

*Seat angle is actual. **Tuptube is measured from center of the headtube horizontally back to the top of the effective extension of the seattube. ***Standover height is based on the largest size tire that will fit the bike, not necessarily the included size tire. Specifications subject to change.

AREVA 20 LITE



\$289

ALUXX
Aluminum technology



SPECIFICATIONS

FRAME

SIZES 20" Wheel

COLOURS White/Purple/Peach

FRAME ALUXX-Grade Aluminum

FORK High-Tensile Steel

SHOCK N/A

COMPONENTS

HANDLEBAR Giant Jr MTB, Steel, Low Rise, 25.4

STEM Steel Quill

SEATPOST Steel 27.2

SADDLE Giant Growing Concept

PEDALS Giant Jr. MTB

DRIVETRAIN

SHIFTERS Shimano Revo Twist

FRONT DERAILLEUR N/A

REAR DERAILLEUR Shimano Tourney

BRAKES Alloy Direct Pull

BRAKE LEVERS Giant Jr. MTB, Alloy

CASSETTE 14-34, 7-Speed

CHAIN KMC HV500

CRANKSET Alloy, 3-Piece, 36

BOTTOM BRACKET Semi-Cartridge

WHEELS

RIMS Alloy, 20"

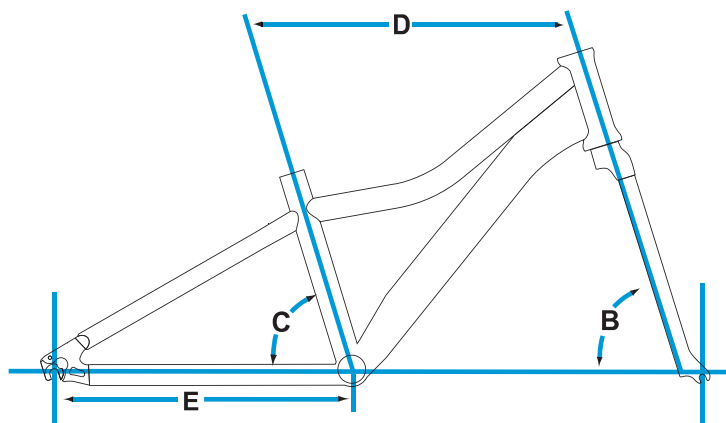
HUBS Nuted, 32h

SPOKES Stainless

TIRES Giant Junior Lite Sport, 20x1.95"

EXTRAS

Bell, Kickstand



FRAME GEOMETRY

SIZE	PART NUMBER	HEAD ANGLE	SEAT ANGLE*	TOP TUBE**	CHAINSTAY
A		B	C	D	E
wheel	White	deg	deg	in	in
20"	50063710	72	72	17.4	14.7

*Seat angle is actual. **Tuptube is measured from center of the headtube horizontally back to the top of the effective extension of the seattube. ***Standover height is based on the largest size tire that will fit the bike, not necessarily the included size tire. Specifications subject to change.

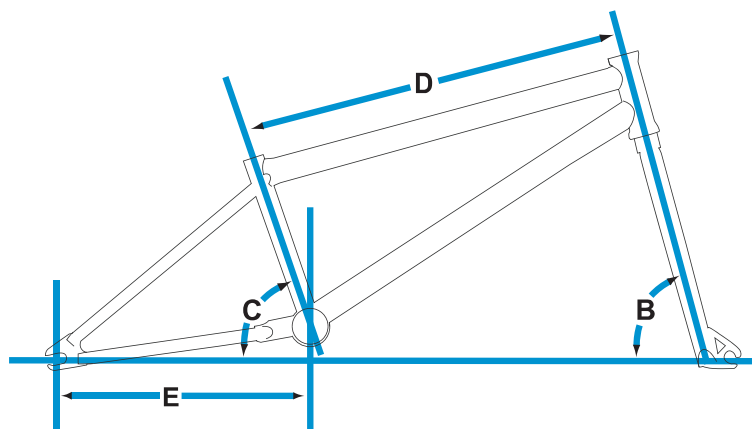
METHOD 01

\$489



SPECIFICATIONS

FRAME	
SIZES	20" Wheel
COLOURS	Red
FRAME	Tapered Chromoly Main Frame w/ CNC Machined Headtube, Low-Profile U-Brake Mounts, Mid BB, Removable Rotor Tabs
FORK	Chromoly Steerer, Tapered High-Tensile Legs
SHOCK	N/A
COMPONENTS	
HANDLEBAR	Chromoly, 8" Rise
STEM	Giant Front Load Alloy, 1-1/8"
SEATPOST	Alloy Integrated
SADDLE	Giant 2 Piece Padded
PEDALS	Giant BMX Platform
DRIVETRAIN	
SHIFTERS	N/A
FRONT DERAILLEUR	N/A
REAR DERAILLEUR	N/A
BRAKES	Tektro 907A U-Brake, Black Pads
BRAKE LEVERS	Tektro Alloy
CASSETTE	9T, 1-Piece Driver
CHAIN	KMC Z510
CRANKSET	3-Piece Tubular Chromoly, 175mm, 25 Alloy
BOTTOM BRACKET	Mid Sealed
WHEELS	
RIMS	Alienation PBR
HUBS	[F] Alloy 3/8" Axle, [R] Alloy Loose Ball Cassette 14mm Axle, 36h
SPOKES	BED Stainless
TIRES	Giant Sole-O, 20x2.1"



FRAME GEOMETRY

SIZE	PART NUMBER	HEAD ANGLE	SEAT ANGLE*	TOP TUBE**	CHAINSTAY
A		B	C	D	E
wheel	Red	deg	deg	in	in
20"	54060110	74.5	72	20.5	13.8

*Seat angle is actual. **Tuptube is measured from center of the headtube horizontally back to the top of the effective extension of the seattube. ***Standover height is based on the largest size tire that will fit the bike, not necessarily the included size tire. Specifications subject to change.

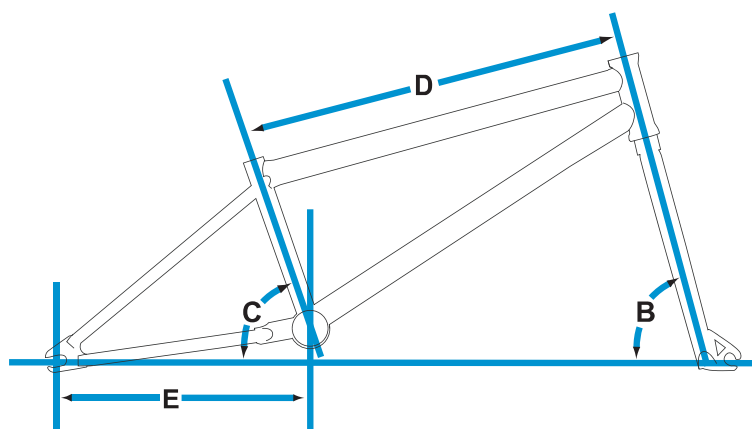
METHOD 02

\$399



SPECIFICATIONS

FRAME	
SIZES	20" Wheel
COLOURS	Blue/Purple
FRAME	Tapered High-Tensile, Low-Profile U-Brake Mounts, Mid-BB, Removable Rotor Tabs
FORK	Chromoly Steerer, Tapered High-Tensile Legs
SHOCK	N/A
COMPONENTS	
HANDLEBAR	Steel, 8" Rise
STEM	Giant Front Load Alloy, 1-1/8"
SEATPOST	Alloy Integrated
SADDLE	Giant 2 Piece Padded
PEDALS	Odyssey Twisted PC
DRIVETRAIN	
SHIFTERS	N/A
FRONT DERAILLEUR	N/A
REAR DERAILLEUR	N/A
BRAKES	Tektro 907A U-Brake, Black Pads
BRAKE LEVERS	Tektro Alloy
CASSETTE	9T, 1-Piece Driver
CHAIN	KMC Z410
CRANKSET	3-Piece Tubular Chromoly, 175mm, 25 Steel
BOTTOM BRACKET	Mid Sealed
WHEELS	
RIMS	Alloy
HUBS	[F] Alloy 3/8" Axle, [R] Alloy Loose Ball Cassette 14mm Axle, 36h
SPOKES	BED Stainless
TIRES	Giant Sole-O, 20x2.1"



FRAME GEOMETRY

SIZE	PART NUMBER	HEAD ANGLE	SEAT ANGLE*	TOP TUBE**	CHAINSTAY
A		B	C	D	E
wheel	Blue	deg	deg	in	in
20"	50060310	74.5	71	20	13.8

*Seat angle is actual. **Tuptube is measured from center of the headtube horizontally back to the top of the effective extension of the seattube. ***Standover height is based on the largest size tire that will fit the bike, not necessarily the included size tire. Specifications subject to change.

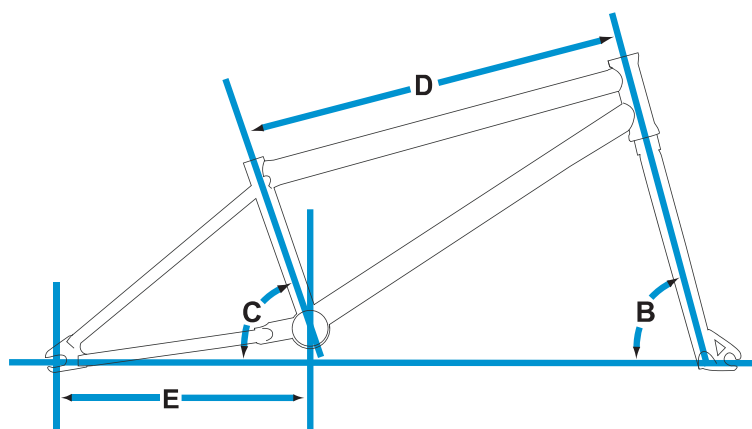
METHOD 03

\$349



SPECIFICATIONS

FRAME	
SIZES	20" Wheel
COLOURS	Black/Green
FRAME	Tapered High-Tensile, Low Profile U-Brake Mounts, Removable Rotor Tabs
FORK	Chromoly Steerer, Tapered High-Tensile Legs
SHOCK	N/A
COMPONENTS	
HANDLEBAR	Steel, 6.55" Rise
STEM	Giant Front Load Alloy, 1-1/8"
SEATPOST	Alloy Integrated
SADDLE	Giant 2 Piece Padded
PEDALS	Odyssey Twisted PC
DRIVETRAIN	
SHIFTERS	N/A
FRONT DERAILLEUR	N/A
REAR DERAILLEUR	N/A
BRAKES	Tektro 907A U-Brake, Black Pads
BRAKE LEVERS	Tektro Alloy
CASSETTE	13T
CHAIN	KMC Z410
CRANKSET	3-Piece Tubular Chromoly, 175mm, 33 Steel
BOTTOM BRACKET	Retainer Ball
WHEELS	
RIMS	Alloy
HUBS	[F] Alloy 3/8" Axle, [R] Alloy Loose Ball Cassette 14mm Axle, 36h
SPOKES	BED Stainless
TIRES	[F] Kenda K-Rad 20x2.125", [R] Kenda K-Rad 20x1.95"



FRAME GEOMETRY

SIZE	PART NUMBER	HEAD ANGLE	SEAT ANGLE*	TOP TUBE**	CHAINSTAY
A		B	C	D	E
wheel	Black	deg	deg	in	in
20"	50060410	74.5	71	19.5	13.8

*Seat angle is actual. **Tuptube is measured from center of the headtube horizontally back to the top of the effective extension of the seattube. ***Standover height is based on the largest size tire that will fit the bike, not necessarily the included size tire. Specifications subject to change.

THE RIGHT GEAR FOR EVERY RIDE

Make every ride the best it can be with specially built gear for every cycling adventure. From high-performance WheelSystems to components, apparel, accessories and service essentials, Giant is your one-stop source for quality gear made for rider and bike.

GET READY TO RIDE





RIDER GEAR

Gear for me.



BIKE GEAR

Gear for my bike.

GEAR ICON LEGEND

INDIVIDUAL ICONS



New – This icon represents products that are new to the Giant Gear line-up



Margin – This icon represents products whereby the SRP is greater than keystone price, providing higher than typical margin. A complete list of prices is available on the Dealer Web Portal.



Key – This icon identifies one or more items that are essential within the segment. Individual key products are highlighted in Giant Blue or Liv Purple. Giant will attempt to keep stock all year round on these popular items to best serve retailers.

RIDER GEAR ICONS



Core – Affordable but with an eye for detail, Core products fit the needs of riders wanting to feel comfortable all day long.



Sport – Well priced, and with performance in mind, Sport level products allow riders the advantages of technical fabrics, while keeping within budget.



Performance – The highest level in fabric quality, Performance products are designed with the greatest attention to detail, comfort and performance in mind.



Pro Fit – This icon represents apparel items that are fitted more aggressively than typical “Race Fit” products. As such, riders looking for a more relaxed fit should order accordingly.

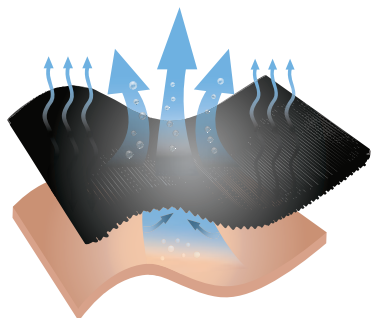




RIDER GEAR TECHNOLOGY

Equilibrium is the primary goal of any active sport oriented fabric – not too hot, not too cold. Next to the skin moisture management is key. In cooler conditions, wet heat conduction can rob the body of heat and leave the wearer uncomfortable. Conversely, on a hot day the same moisture is a barrier to heat release, which can lead to overheating. Giant Rider Gear features breathable antibacterial materials and chamois with multiple levels of protection for optimal weight distribution on the saddle and maximum comfort for all rider levels.

FABRIC TECHNOLOGY



TransTextura™

TransTextura™

Designed with denier gradient transfer technology, which uses larger diameter fibers next to the skin to pull moisture to the outer surface for evaporation and quick drying.

TransTextura PLUS™

Enhanced moisture transfer technology allows quicker drying, and the addition of antimicrobial functionality neutralizes odors.



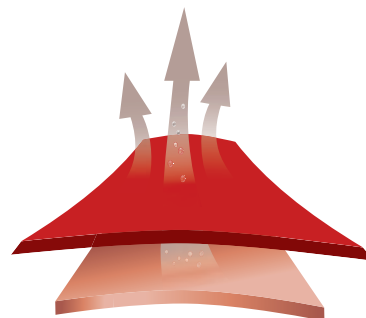
ProTextura™

ProTextura™

Wind protection and durable water-repellent finishes and laminations are engineered to overcome wind, wet and rainy conditions. Features breathability to help your body regulate temperature.

ProTextura PLUS™

Enhanced performance through the addition of dependable weather protective sealed seams provides truly waterproof construction.



ThermTextura™

ThermTextura PLUS™

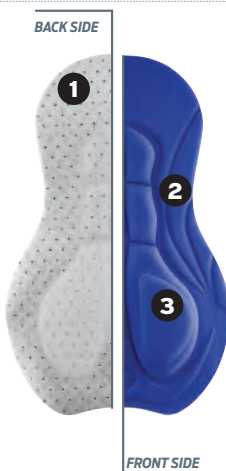
Builds on TransTextura™ with fleece on the backside of the fabric to add insulating air and protect you from the elements.

CHAMOIS TECHNOLOGY



ProComfor™

1. Three perforated layers of foam constructed with a proprietary laminate bonding improves breathability compared to traditional bonding.
2. TransTextura Plus™ 4-way stretch fabric provides excellent moisture management and permanent anti-odor and antibacterial functions.
3. 11mm multi-thickness perforated high-density foam provides the ultimate support for long days in the saddle.



SportComfor™

1. Two perforated layers of foam and a special laminate construction improve breathability compared to traditional bonding.
2. TransTextura Plus™ 4-way stretch fabric provides excellent moisture management and permanent anti-odor and antibacterial functions.
3. 11mm multi-thickness perforated high-density foam provides the ultimate support for long days in the saddle.



CoreComfor™

1. TransTextura™ Plus 4-way stretch fabric provides excellent moisture management and permanent anti-odor and antibacterial functions.
2. 9mm high-density foam provides support without unwanted bulk.



HELMET TECHNOLOGY

RACING, RIDING THROUGH CITY STREETS, OR BOMBING DOWN A TRAIL, YOUR HELMET IS YOUR MOST IMPORTANT ACCESSORY. GIANT'S NEW LINEUP OF HELMETS, INCLUDING THE HIGH-PERFORMANCE ROAD HELMET REV, FEATURES CUTTING-EDGE TECHNOLOGIES TO KEEP YOU COOL, COMFORTABLE AND SECURE.



REV

SUPER LIGHT, SUPER COMFORTABLE

With 21 ventilation ports, a fine-tuned CINCH+ fit system, and advanced materials construction, Rev gives you supreme comfort and weighs just 264 grams. Designed with LiteForm webbing and TransTextura Plus antimicrobial padding, it feels so light and flexible you'll forget you're wearing a helmet at all.

TECHNOLOGY

1 INTERNAL STRUCTURAL SHELL

A continuous internal polycarbonate shell fuses the helmet structure together. The result is increased overall strength and toughness, and reduced overall weight.

2 IN-MOLD MICROSHELL/EPS CONSTRUCTION

The most advanced construction process is used to ensure consistent, seamless materials throughout the helmet for optimal protection and a flawless look. The in-mold microshell provides all-in-one construction for maximum structural integrity.

3 LITEFORM™ STRAP WEBBING

Using a special blend of thin, lightweight and tough woven material creates uncompromising strength and toughness, and reduced overall weight.

4 CINCH+™ FIT SYSTEM

The perfect blend of comfort and security, Cinch+ offers optimal coverage by cradling the occipital bone for full protection, support and comfort. Large scoop-like paddles protrude outward to cradle the cranium.

5 TRANSTEXTURA PLUS™ ANTIMICROBIAL, ANTI-ODOR PADDING

These highly advanced natural fabrics fight bacteria growth by pulling sweat from the rider's head and transferring it through exhaust ports in the 21-vent design. The natural property of the fabric inhibits microbes that cause odors.

RIDER APPAREL



RACE DAY SS JERSEY NEW

- Ti-Ex™ fabric is super soft with a titanium treatment
- Excellent wicking and durability
- High SPF
- Raglan sleeve cut
- Full height collar
- 3 rear pockets
- Elastic waist

Item	Size
850001231	XS
850001232	S
850001233	M
850001234	L
850001235	XL
850001236	2XL

Colour:
BLUE/BLACK



\$129⁹⁹



RACE DAY LS JERSEY NEW

- Ti-Ex™ fabric is super soft with a titanium treatment
- Excellent wicking and durability
- High SPF
- Raglan sleeve cut
- Full height collar
- 3 rear pockets
- Elastic waist

Item	Size
850001237	XS
850001238	S
850001239	M
850001240	L
850001241	XL
850001242	2XL

Colour:
BLUE/BLACK



\$159⁹⁹



RACE DAY BIB SHORT NEW

- 4-way stretch Stratos™ fabric
- Chlorine resistant
- UPF, UVA and UVB transmission less than 0.1%
- Conformal™ chamois pad
- PowerBand™ Gel gripper leg closure
- Flatlock stitching

Item	Size
860000403	XS
860000404	S
860000405	M
860000406	L
860000407	XL
860000408	2XL

Colour:
BLUE/BLACK



\$159⁹⁹



GIANT-SHIMANO TEAM SS JERSEY NEW

- Same jersey worn by the Giant-Shimano Pro Cycling Team
- Lightweight TransTextura fabric with full UV protection
- Unique fabric contains highly resistant fibers to protect against abrasion
- High degree of stretch, which gives it a comfortable, body hugging fit

- Printed panels are meticulously aligned so that all jerseys look identical, regardless of size
- Full-length zipper and three rear pockets

Item	Size
850001269	S
850001270	M
850001271	L
850001272	XL
850001273	2XL
850001274	3XL

\$209⁹⁹



Colour:
BLACK/WHITE

RACE DAY SHORT NEW

- Clean and classic design
- E.I.T. Liege chamois
- High compression leg bands
- UPF 30+ sun protection

Item	Size
860000397	XS
860000398	S
860000399	M
860000400	L
860000401	XL
860000402	2XL

Colour:
BLUE/BLACK



\$139⁹⁹



GIANT-SHIMANO CLIMBERS TEAM SS JERSEY



- Same jersey worn by the Giant-Shimano Pro Cycling Team
- Lightweight TransTextura fabric with full UV protection
- Vented panels for maximum breathability when climbing
- High degree of stretch, which gives it a comfortable, bodyhugging fit
- Printed panels are meticulously aligned so that all jerseys look identical, regardless of size
- Full-length zipper and three rear pockets

Item	Size
850001275	S
850001276	M
850001277	L
850001278	XL
850001279	2XL
850001280	3XL



Colour:
BLACK/WHITE

\$219⁹⁹

GIANT-SHIMANO TEAM BIB SHORT



- Same bib shorts worn by Giant-Shimano Pro Cycling Team
- Silky fabric is smooth on skin yet provides good compression and breathability
- Exclusive leg gripper material gives perfect compression without feeling too tight and without using silicone grips that can irritate skin
- Urraki chamois ensures total freedom of movement, is antibacterial and very breathable

Item	Size
860000429	S
860000430	M
860000431	L
860000432	XL
860000433	2XL
860000434	3XL



\$249⁹⁹

Colour:
BLACK/WHITE

REV PRO SS JERSEY



- Designed and created in partnership with Etxeondo
- TransTextura™ fabric provides permanent moisture transfer and sun protection to keep you comfortable
- Tone on tone print pattern on shoulders and main body accents

Item	Size	Colour
850001353	S	BLACK/WHITE
850001354	M	BLACK/WHITE
850001355	L	BLACK/WHITE
850001356	XL	BLACK/WHITE
850001357	2XL	BLACK/WHITE
850001358	3XL	BLACK/WHITE
850001359	S	BLACK/BLUE
850001360	M	BLACK/BLUE
850001361	L	BLACK/BLUE
850001362	XL	BLACK/BLUE
850001363	2XL	BLACK/BLUE
850001364	3XL	BLACK/BLUE



\$199⁹⁹



REV PRO BIB SHORT



- Designed and created in partnership with Etxeondo
- Polyamide fabric is soft as cotton but durable for years of hard use
- Same E.I.T. as used by Giant Shimano Pro Team

Item	Size	Colour
860000519	S	BLACK/WHITE
860000520	M	BLACK/WHITE
860000521	L	BLACK/WHITE
860000522	XL	BLACK/WHITE
860000523	2XL	BLACK/WHITE
860000524	3XL	BLACK/WHITE
860000525	S	BLACK/BLUE
860000526	M	BLACK/BLUE
860000527	L	BLACK/BLUE
860000528	XL	BLACK/BLUE
860000529	2XL	BLACK/BLUE
860000530	3XL	BLACK/BLUE

\$249⁹⁹



STREAK SS JERSEY

- TransTextura™ fabric
- Full Length locking zipper
- Raglan sleeve cut
- Sweat proof phone pocket
- 3 rear pockets
- UPF 30+

Item	Size	Colour
850000596	XS	WHITE/BLACK/BLUE
850000597	S	WHITE/BLACK/BLUE
850000598	M	WHITE/BLACK/BLUE
850000599	L	WHITE/BLACK/BLUE
850000600	XL	WHITE/BLACK/BLUE
850000601	2XL	WHITE/BLACK/BLUE
850000608	XS	BLACK/BLUE
850000609	S	BLACK/BLUE
850000610	M	BLACK/BLUE
850000611	L	BLACK/BLUE
850000612	XL	BLACK/BLUE
850000613	2XL	BLACK/BLUE
850000590	XS	WHITE/GRAY/RED
850000591	S	WHITE/GRAY/RED
850000592	M	WHITE/GRAY/RED
850000593	L	WHITE/GRAY/RED
850000594	XL	WHITE/GRAY/RED
850000595	2XL	WHITE/GRAY/RED



\$79⁹⁹



STREAK LS JERSEY

- TransTextura™ fabric
- Full Length locking zipper
- Raglan sleeve cut
- Sweat proof phone pocket
- 3 rear pockets
- UPF 30+

Item	Size	Colour
850000614	XS	WHITE/GRAY/RED
850000615	S	WHITE/GRAY/RED
850000616	M	WHITE/GRAY/RED
850000617	L	WHITE/GRAY/RED
850000618	XL	WHITE/GRAY/RED
850000619	2XL	WHITE/GRAY/RED
850000620	XS	WHITE/BLACK/BLUE
850000621	S	WHITE/BLACK/BLUE
850000622	M	WHITE/BLACK/BLUE
850000623	L	WHITE/BLACK/BLUE
850000624	XL	WHITE/BLACK/BLUE
850000625	2XL	WHITE/BLACK/BLUE
850000632	XS	BLACK/BLUE
850000633	S	BLACK/BLUE
850000634	M	BLACK/BLUE
850000635	L	BLACK/BLUE
850000636	XL	BLACK/BLUE
850000637	2XL	BLACK/BLUE



\$89⁹⁹



TEAM 2.0 SS JERSEY

- TransTextura™ fabric
- Club fit
- Raglan sleeve cut
- Full-length zipper
- 3 rear pockets
- UPF 30+

Item	Size	Colour
850001413	XS	BLUE/BLACK
850001414	S	BLUE/BLACK
850001415	M	BLUE/BLACK
850001416	L	BLUE/BLACK
850001417	XL	BLUE/BLACK
850001418	2XL	BLUE/BLACK
850000370	XS	RED/BLACK
850000371	S	RED/BLACK
850000372	M	RED/BLACK
850000373	L	RED/BLACK
850000374	XL	RED/BLACK
850000375	2XL	RED/BLACK
850000948	XS	BLACK/WHITE
850000949	S	BLACK/WHITE
850000950	M	BLACK/WHITE
850000951	L	BLACK/WHITE
850000952	XL	BLACK/WHITE
850000953	2XL	BLACK/WHITE



\$59⁹⁹



TEAM 2.0 LS JERSEY

- TransTextura™ fabric
- Club fit
- Raglan sleeve cut
- Full-length zipper
- 3 rear pockets
- UPF 30+

Item	Size	Colour
850000376	XS	BLUE/BLACK
850000377	S	BLUE/BLACK
850000378	M	BLUE/BLACK
850000379	L	BLUE/BLACK
850000380	XL	BLUE/BLACK
850000381	2XL	BLUE/BLACK
850000382	XS	RED/BLACK
850000383	S	RED/BLACK
850000384	M	RED/BLACK
850000385	L	RED/BLACK
850000386	XL	RED/BLACK
850000387	2XL	RED/BLACK



\$64⁹⁹



TEAM SHORT

- Giant Team graphics
- CoreComfor™ Chamois
- Compression leg openings
- Seamless inner leg
- UPF 50
- Race fit

Item	Size	Colour
860000177	XS	BLACK/BLUE
860000178	S	BLACK/BLUE
860000179	M	BLACK/BLUE
860000180	L	BLACK/BLUE
860000181	XL	BLACK/BLUE
860000182	2XL	BLACK/BLUE
860000183	XS	BLACK/WHITE
860000184	S	BLACK/WHITE
860000185	M	BLACK/WHITE
860000186	L	BLACK/WHITE
860000187	XL	BLACK/WHITE
860000188	2XL	BLACK/WHITE



\$59⁹⁹



TEAM BIBSHORT

- Giant Team graphics
- CoreComfor™ Chamois
- Comfortable bib straps
- Compression leg openings
- Seamless inner leg
- Race fit

Item	Size	Colour
860000189	XS	BLACK/BLUE
860000190	S	BLACK/BLUE
860000191	M	BLACK/BLUE
860000192	L	BLACK/BLUE
860000193	XL	BLACK/BLUE
860000194	2XL	BLACK/BLUE
860000195	XS	BLACK/WHITE
860000196	S	BLACK/WHITE
860000197	M	BLACK/WHITE
860000198	L	BLACK/WHITE
860000199	XL	BLACK/WHITE
860000200	2XL	BLACK/WHITE



\$79⁹⁹



CENTRO SS JERSEY

- TransTextura™ solid and mesh fabrics
- Raglan sleeve cut
- Full length zipper
- UPF 30+ sun protection
- Club fit

Item	Size	Colour
850000662	XS	GRAY/BLACK/RED
850000663	S	GRAY/BLACK/RED
850000664	M	GRAY/BLACK/RED
850000665	L	GRAY/BLACK/RED
850000666	XL	GRAY/BLACK/RED
850000667	2XL	GRAY/BLACK/RED
850000668	XS	GRAY/BLACK/BLUE
850000669	S	GRAY/BLACK/BLUE
850000670	M	GRAY/BLACK/BLUE
850000671	L	GRAY/BLACK/BLUE
850000672	XL	GRAY/BLACK/BLUE
850000673	2XL	GRAY/BLACK/BLUE



\$59⁹⁹



CENTRO LS JERSEY

- ThermTextura™ fabric delivers excellent warmth at minimal weight
- Warm and quick drying
- Full length locking zipper
- 3 rear pockets
- Reflective accents

Item	Size	Colour
850001317	XS	RED/BLACK/GRAY
850001318	S	RED/BLACK/GRAY
850001319	M	RED/BLACK/GRAY
850001320	L	RED/BLACK/GRAY
850001321	XL	RED/BLACK/GRAY
850001322	2XL	RED/BLACK/GRAY
850001323	XS	BLUE/BLACK/GRAY
850001324	S	BLUE/BLACK/GRAY
850001325	M	BLUE/BLACK/GRAY
850001326	L	BLUE/BLACK/GRAY
850001327	XL	BLUE/BLACK/GRAY
850001328	2XL	BLUE/BLACK/GRAY

\$69⁹⁹



SPORT SHORT

- High compression Lycra Sport® fabric
- SportComfor™ Chamois
- Compression leg openings
- Seamless inner leg
- UPF 50

Item	Size	Colour: BLACK
860000252	XS	
860000253	S	
860000254	M	
860000255	L	
860000256	XL	
860000257	2XL	



\$89⁹⁹



SPORT BIB SHORT

- High compression Lycra Sport® fabric
- SportComfor™ Chamois
- Compression leg openings
- Seamless inner leg
- TransTextura™ bib straps
- UPF 50
- Race fit

Item	Size	Colour: BLACK
860000258	XS	
860000259	S	
860000260	M	
860000261	L	
860000262	XL	
860000263	2XL	



\$99⁹⁹



SPORT BIB KNICKER

- High compression spandex fabric for comfort and muscle support
- TransTextura™ bib straps
- SportComfor™ Chamois provides excellent breathability and support
- High compression leg band

Item	Size
860000501	XS
860000502	S
860000503	M
860000504	L
860000505	XL
860000506	2XL

Colour: BLACK



\$114⁹⁹



SPORT THERMAL BIB TIGHT

- Warm and quick drying ThermTextura™ fabric delivers excellent warmth at minimal weight
- SportComfor™ Chamois provides excellent breathability and support
- 6" ankle zipper
- 3D contour panels

Item	Size
860000507	XS
860000508	S
860000509	M
860000510	L
860000511	XL
860000512	2XL

Colour: BLACK



\$134⁹⁹



CORE SHORT

- CoreComfor™ Chamois
- Silicone gel leg gripper
- Seamless inner leg
- UPF 50
- Race fit

Item	Size	Colour: BLACK
860000228	XS	
860000229	S	
860000230	M	
860000231	L	
860000232	XL	
860000233	2XL	



\$59⁹⁹



CORE KNICKER

- CoreComfor™ Chamois
- Silicone gel leg gripper
- Extends to mid calf
- UPF 50
- Race fit

Item	Size	Colour: BLACK
860000240	XS	
860000241	S	
860000242	M	
860000243	L	
860000244	XL	
860000245	2XL	



\$69⁹⁹



OFF ROAD APPAREL



RACE DAY DH SS JERSEY

- Durable TransTextura™ fabric wicks moisture and dries quickly
- High stretch neck and cuffs for better fit and comfort

- UPF 30 sun protection
- Relaxed fit



Item	Size	
850000954	XS	
850000955	S	
850000956	M	
850000957	L	
850000958	XL	
850000959	2XL	



\$64⁹⁹ Colour: BLUE/BLACK

RACE DAY DH LS JERSEY

- Durable TransTextura™ fabric wicks moisture and dries quickly
- High stretch neck and cuffs for better fit and comfort

- UPF 30 sun protection
- Relaxed fit



Item	Size	
850000960	XS	
850000961	S	
850000962	M	
850000963	L	
850000964	XL	
850000965	2XL	



\$69⁹⁹ Colour: BLUE/BLACK

REALM SS JERSEY



- TransTextura waffle and mesh fabric for all day comfort
- Sublimated pattern matches shorts

- UPF 30+ sun protection

Item	Size	Colour
850001281	XS	GRAY
850001282	S	GRAY
850001283	M	GRAY
850001284	L	GRAY
850001285	XL	GRAY
850001286	2XL	GRAY
850001287	XS	BLUE
850001288	S	BLUE
850001289	M	BLUE
850001290	L	BLUE
850001291	XL	BLUE
850001292	2XL	BLUE



\$69⁹⁹

REALM LS JERSEY



- TransTextura waffle and mesh fabric for all day comfort
- Sublimated pattern matches shorts

- UPF 30+ sun protection

Item	Size	Colour
850001299	XS	GRAY
850001300	S	GRAY
850001301	M	GRAY
850001302	L	GRAY
850001303	XL	GRAY
850001304	2XL	GRAY
850001305	XS	BLUE
850001306	S	BLUE
850001307	M	BLUE
850001308	L	BLUE
850001309	XL	BLUE
850001310	2XL	BLUE



\$79⁹⁹

CORE TRAIL JERSEY



- TransTextura™ fabric provides permanent moisture transfer and sun protection to keep you comfortable
- Hidden zippered stash pocket

- UPF 30 sun protection
- Relaxed fit

Item	Size	Colour
850001335	XS	BLACK
850001336	S	BLACK
850001337	M	BLACK
850001338	L	BLACK
850001339	XL	BLACK
850001340	2XL	BLACK
850001341	XS	BLUE
850001342	S	BLUE
850001343	M	BLUE
850001344	L	BLUE
850001345	XL	BLUE
850001346	2XL	BLUE



\$54⁹⁹

PERFORMANCE TRAIL SHORT



- 2-way and 4-way stretch fabrics for comfort and performance
- Zippered mesh and eyelet vents for temperature control

- Zippered storage pocket on lower back
- Short liner not included

Item	Size	Colour
860000483	XS	GRAY
860000484	S	GRAY
860000485	M	GRAY
860000486	L	GRAY
860000487	XL	GRAY
860000488	2XL	GRAY
860000489	XS	BLUE
860000490	S	BLUE
860000491	M	BLUE
860000492	L	BLUE
860000493	XL	BLUE
860000494	2XL	BLUE



\$114⁹⁹

SPORT TRAIL SHORT

- TransTextura™ durable 2 way stretch fabric shell and mesh liner
- CoreComfor™ Trail chamois with TransTextura Plus™ fabric is highly breathable and lightweight
- External waist adjustment
- 2 open hand pockets and 1 zippered storage pocket

Item	Size	Colour
860000435	XS	GRAY
860000436	S	GRAY
860000437	M	GRAY
860000438	L	GRAY
860000439	XL	GRAY
860000440	2XL	GRAY
860000441	XS	BLACK
860000442	S	BLACK
860000443	M	BLACK
860000444	L	BLACK
860000445	XL	BLACK
860000446	2XL	BLACK



\$109⁹⁹



REALM TRAIL SHORT

- 2-way stretch fabric for durability and performance
- Zippered mesh and eyelet vents
- Zippered rear stash pocket
- Short liner not included

Item	Size	Colour
860000447	XS	GRAY
860000448	S	GRAY
860000449	M	GRAY
860000450	L	GRAY
860000451	XL	GRAY
860000452	2XL	GRAY
860000453	XS	BLUE
860000454	S	BLUE
860000455	M	BLUE
860000456	L	BLUE
860000457	XL	BLUE
860000458	2XL	BLUE



\$99⁹⁹



SPORT ENDURO 3/4 SHORT

- 2 way stretch fabric for durability and performance
- Zippered mesh vents on thigh
- Articulated knee for better performance with protective pads
- Short liner not included

Item	Size	Colour
860000465	XS	GRAY
860000466	S	GRAY
860000467	M	GRAY
860000468	L	GRAY
860000469	XL	GRAY
860000470	2XL	GRAY
860000471	XS	BLUE
860000472	S	BLUE
860000473	M	BLUE
860000474	L	BLUE
860000475	XL	BLUE
860000476	2XL	BLUE



\$109⁹⁹



OUTERWEAR



REV PRO THERMAL JACKET

- Designed and created in partnership with Etxeondo
- Strategically placed stretch soft-shell panels provide protection where you need while keeping weight down
- Tone on tone print pattern and colored accents tie the entire kit together

Item	Size	Colour
850001377	S	BLACK/GRAY
850001378	M	BLACK/GRAY
850001379	L	BLACK/GRAY
850001380	XL	BLACK/GRAY
850001381	2XL	BLACK/GRAY
850001382	3XL	BLACK/GRAY
850001383	S	BLACK/BLUE
850001384	M	BLACK/BLUE
850001385	L	BLACK/BLUE
850001386	XL	BLACK/BLUE
850001387	2XL	BLACK/BLUE
850001388	3XL	BLACK/BLUE



\$299⁹⁹

REV PRO RAIN JACKET

- Designed and created in partnership with Etxeondo
- ProTextura™ high stretch waterproof, breathable fabric
- Packable into rear jersey pocket

Item	Size	Colour
850001389	S	BLACK/GRAY
850001390	M	BLACK/GRAY
850001391	L	BLACK/GRAY
850001392	XL	BLACK/GRAY
850001393	2XL	BLACK/GRAY
850001394	3XL	BLACK/GRAY
850001395	S	BLACK/BLUE
850001396	M	BLACK/BLUE
850001397	L	BLACK/BLUE
850001398	XL	BLACK/BLUE
850001399	2XL	BLACK/BLUE
850001400	3XL	BLACK/BLUE



\$279⁹⁹

SUPERLIGHT WIND JACKET

- ProTextura Lite™ fabric
- Race fit
- Vented underarms
- Reflective accents
- Full length locking zipper
- Jacket packs away into rear pocket

Item	Size	Colour
850000686	XS	WHITE/BLACK
850000687	S	WHITE/BLACK
850000688	M	WHITE/BLACK
850000689	L	WHITE/BLACK
850000690	XL	WHITE/BLACK
850000691	2XL	WHITE/BLACK
850000680	XS	YELLOW/BLACK
850000681	S	YELLOW/BLACK
850000682	M	YELLOW/BLACK
850000683	L	YELLOW/BLACK
850000684	XL	YELLOW/BLACK
850000685	2XL	YELLOW/BLACK



\$89⁹⁹

CORE WIND JACKET

- ProTextura™ fabric
- Club fit
- Vented back panel
- Rear storage pocket
- Full length locking zipper
- Reflective accents

Item	Size	Colour
850000412	XS	BLACK/GRAY
850000413	S	BLACK/GRAY
850000414	M	BLACK/GRAY
850000415	L	BLACK/GRAY
850000416	XL	BLACK/GRAY
850000417	2XL	BLACK/GRAY
850000406	XS	YELLOW/GRAY
850000407	S	YELLOW/GRAY
850000408	M	YELLOW/GRAY
850000409	L	YELLOW/GRAY
850000410	XL	YELLOW/GRAY
850000411	2XL	YELLOW/GRAY



\$74⁹⁹

TEAM APPAREL



GIANT TEAM TRACK JACKET NEW

- ThermTextura™ fabric provides lightweight insulation
- Giant Corporate branding
- UPF 30 sun protection"

Item	Size
880000128	S
880000129	M
880000130	L
880000131	XL
880000132	2XL

Colour: BLACK

\$74⁹⁹



GIANT TEAM HOODIE

- ThermTextura™ fabric provides lightweight insulation
- Giant Corporate branding
- UPF 30 sun protection

Item	Size
8800000122	S
8800000123	M
8800000124	L
8800000125	XL

Colour: GRAY

\$114⁹⁹



GIANT TEAM COOL SHIRT NEW

- TransTextura fabric™ for all day comfort
- Giant Corporate branding
- UPF 30 sun protection

Item	Size
880000116	S
880000117	M
880000118	L
880000119	XL
880000120	2XL

Colour: BLACK

\$64⁹⁹



GIANT TEAM POLO SHIRT NEW

- TransTextura fabric™ for all day comfort
- Giant Corporate branding
- UPF 30 sun protection

Item	Size
880000134	S
880000135	M
880000136	L
880000137	XL
880000138	2XL

Colour: BLACK

\$54⁹⁹



ACCESSORIES



3D BASELAYER



- TransTextura Plus™ fabric quickly wicks moisture and eliminates odor causing bacteria
- Raglan sleeve cycling specific construction
- Drop tail design for coverage

Item	Type	Colour	Size	Price
840000051	SLEEVELESS	WHITE	XS	\$39.99
840000052	SLEEVELESS	WHITE	S	\$39.99
840000053	SLEEVELESS	WHITE	M	\$39.99
840000054	SLEEVELESS	WHITE	L	\$39.99
840000055	SLEEVELESS	WHITE	XL	\$39.99
840000057	SLEEVELESS	BLACK	XS	\$39.99
840000058	SLEEVELESS	BLACK	S	\$39.99
840000059	SLEEVELESS	BLACK	M	\$39.99
840000060	SLEEVELESS	BLACK	L	\$39.99
840000061	SLEEVELESS	BLACK	XL	\$39.99

Item	Type	Colour	Size	Price
840000063	SHORT SLEEVE	WHITE	XS	\$44.99
840000064	SHORT SLEEVE	WHITE	S	\$44.99
840000065	SHORT SLEEVE	WHITE	M	\$44.99
840000066	SHORT SLEEVE	WHITE	L	\$44.99
840000067	SHORT SLEEVE	WHITE	XL	\$44.99
840000069	SHORT SLEEVE	BLACK	XS	\$44.99
840000070	SHORT SLEEVE	BLACK	S	\$44.99
840000071	SHORT SLEEVE	BLACK	M	\$44.99
840000072	SHORT SLEEVE	BLACK	L	\$44.99
840000073	SHORT SLEEVE	BLACK	XL	\$44.99

Item	Type	Colour	Size	Price
840000075	LONG SLEEVE	WHITE	XS	\$49.99
840000076	LONG SLEEVE	WHITE	S	\$49.99
840000077	LONG SLEEVE	WHITE	M	\$49.99
840000078	LONG SLEEVE	WHITE	L	\$49.99
840000079	LONG SLEEVE	WHITE	XL	\$49.99
840000081	LONG SLEEVE	BLACK	XS	\$49.99
840000082	LONG SLEEVE	BLACK	S	\$49.99
840000083	LONG SLEEVE	BLACK	M	\$49.99
840000084	LONG SLEEVE	BLACK	L	\$49.99
840000085	LONG SLEEVE	BLACK	XL	\$49.99



THERMO ARM WARMER

- Internal fleece keeps rider warm
- Ergonomically constructed with flat-lock stitching to provide great all-around comfort and performance
- Lamination provides wind protection on critically exposed areas
- Anti-slip elastic bandings
- Safety reflective accents

Item	Size	Colour:
820000008	S	BLACK
820000009	M	
820000010	L	
820000011	XL	
820000012	XXL	



\$39⁹⁹

THERMO LEG WARMER

- Internal fleece keeps rider warm
- Ergonomically constructed with flat-lock stitching to provide great all-around comfort and performance
- Lamination provides wind protection on critically exposed areas
- Anti-slip elastic bandings
- Safety reflective accents

Item	Size	Colour:
820000013	S	BLACK
820000014	M	
820000015	L	
820000016	XL	
820000017	XXL	



\$59⁹⁹

3D ARM WARMER



- Warm and quick drying ThermTextura™ fabric delivers excellent warmth at minimal weight
- 3D ergonomic cut enhances fit and comfort
- Reflective accents enhance visibility in low light condition

Item	Size	Colour:
820000260	S	BLACK
820000261	M	
820000262	L	



\$34⁹⁹

UV ARM COOLER



- UV protection that never rubs or washes off
- TransTextura™ moisture management with added cooling keeps you comfortable on the hottest days

Item	Size	Colour:
820000272	S	WHITE
820000273	M	
820000274	L	



\$24⁹⁹

3D KNEE WARMER



- Warm and quick drying ThermTextura™ fabric delivers excellent warmth at minimal weight
- 3D ergonomic cut enhances fit and comfort
- Reflective accents enhance visibility in low light condition

Item	Size	Colour:
820000263	S	BLACK
820000264	M	
820000265	L	



\$39⁹⁹

UV LEG COOLER



- UV protection that never rubs or washes off
- TransTextura™ moisture management with added cooling keeps you comfortable on the hottest days
- Silicon gripper prevents slipping

Item	Size	Colour:
820000278	S	WHITE
820000279	M	
820000280	L	



\$34⁹⁹

TRANSTEXTURA CYCLING CAP

- Designed to fit under cycling helmet
- Flat seams
- TransTextura Plus™ moisture transfer and anti-odor technology

Item	Size	Colour
820000122	OSFM	BLACK
820000123	OSFM	RED
820000124	OSFM	BLUE



\$19.99



THERMTEXTURA CYCLING CAP

- ThermTextura™ thermo fleece on inner side
- Foldable ear flap

Item	Size	Colour:
820000130	OSFM	BLACK



\$19.99



TRANSTEXTURA SKULL CAP

- Under helmet skull cap for summer
- Super vented mesh fabrics keep head cool
- TransTextura™ moisture transfer technology

Item	Size	Colour
820000120	OSFM	BLACK
820000121	OSFM	WHITE



\$14.99



THERMTEXTURA SKULL CAP

- ThermTextura™ thermo fleece inner
- Soft and stretchy material provides comfort
- Covers ears and provides extra warmth

Item	Size	Colour:
820000129	OSFM	BLACK



\$19.99



HEADBAND

- Thermo headband covers forehead and ears
- Stretchy Lycra material provides perfect fit
- ThermTextura™ thermo fleece on inner side

Item	Size	Colour:
820000125	OSFM	BLACK



\$14.99



TEAM CAP

- Classic 6-panel structure with vents
- Adjustable fit

Item	Size	Colour:
820000106	OSFM	BLUE



\$19.99



RACE DAY SOCK

- Ultra high gauge 200 needle count construction for thin and smooth feel
- TransTextura Plus™ fabric quickly wicks moisture and eliminates odor
- Left and Right specific fit
- Arch compression band

Item	Size	Colour
820000389	S	WHITE
820000390	M	WHITE
820000391	L	WHITE
820000392	S	BLACK
820000393	M	BLACK
820000394	L	BLACK

\$16.99



GIANT SHIMANO TEAM SOCK

- Ultra high gauge 200 needle count construction for thin and smooth feel
- TransTextura Plus™ fabric quickly wicks moisture and eliminates odor causing bacteria
- Left and Right specific fit
- Arch compression band
- Official sock of the Giant/Shimano Pro Tour team

Item	Size	Colour:
820000325	S	WHITE
820000326	M	
820000327	L	

\$19.99



REV LITE SOCK

- Light weight, designed to be worn with road shoes
- Left- and right-specific socks for ideal fit
- Arch compression band and ergo cushioning
- TransTextura Plus™ moisture transfer and anti-odor

Item	Size	Colour
820000166	S	BLACK
820000167	M	BLACK
820000168	L	BLACK
820000169	S	WHITE
820000170	M	WHITE
820000171	L	WHITE



\$14⁹⁹



ALLY TALL SOCK

- High gauge 144 needle count for thin and smooth feel
- TransTextura™ technology
- Ventilation mesh top
- Flat seam and seamless heel closure

Item	Size	Colour
820000377	S	BLACK
820000378	M	BLACK
820000379	L	BLACK
820000380	S	WHITE
820000381	M	WHITE
820000382	L	WHITE



\$10⁴⁹



ALLY SOCK

- Full fashion knitted mesh panel offers ventilation
- Flat-seam toe box, seamless heel closure
- TransTextura™ fabric wicks moisture and dries quickly

Item	Size	Colour	Quantity
820000148	S	BLACK	1 PAIR
820000149	M	BLACK	1 PAIR
820000150	L	BLACK	1 PAIR
820000151	S	WHITE	1 PAIR
820000152	M	WHITE	1 PAIR
820000153	L	WHITE	1 PAIR
820000160	S	BLACK	3-PACK
820000161	M	BLACK	3-PACK
820000162	L	BLACK	3-PACK
820000163	S	WHITE	3-PACK
820000164	M	WHITE	3-PACK
820000165	L	WHITE	3-PACK



\$7⁹⁹/pair \$19⁹⁹/3-pack

REALM SOCK

- Specifically designed to be worn with mountain bike shoes
- Left- and right-specific socks for ideal fit
- 3D mesh panels and ribbing offer ventilation and ankle protection
- Arch compression band and ergo cushioning
- TransTextura Plus™ moisture transfer and anti-odor

Item	Size	Colour
820000172	S	BLACK
820000173	M	BLACK
820000174	L	BLACK
820000175	S	GRAY
820000176	M	GRAY
820000177	L	GRAY



\$14⁹⁹

MERINO REALM SOCK

- Genuine Merino wool, insulates, ventilates, wicks moisture
- Arch compression band and ergo cushioning
- Nylon-reinforced heel and toe

Item	Size	Colour
820000178	S	BLACK
820000179	M	BLACK
820000180	L	BLACK
820000181	S	GRAY
820000182	M	GRAY
820000183	L	GRAY



\$16⁹⁹

ACTIVE COMPRESSION SOCK

- TransTextura™ fabric
- Left and Right specific fit
- Compression varies from 15mm at arch to 12mm at top

Item	Size	Colour:
820000340	S	BLACK
820000341	M	
820000342	L	
820000343	XL	



\$19⁹⁹



GLOVES



TEAM REGULATOR GLOVE

- Wind and waterproof winter glove with thermo fleece
- Long cuff blocks cold air
- Authentic professional team gear



Item	Size	Colour
830000061	S	BLUE/WHITE
830000062	M	BLUE/WHITE
830000063	L	BLUE/WHITE
830000064	XL	BLUE/WHITE
830000065	2XL	BLUE/WHITE

\$64⁹⁹

TEAM GLOVE

- Mesh palm area provides extremely good ventilation
- Elastic cuff is light-weight and comfortable
- Authentic professional team gear



Item	Size	Colour
830000055	S	BLUE/WHITE
830000056	M	BLUE/WHITE
830000057	L	BLUE/WHITE
830000058	XL	BLUE/WHITE
830000059	2XL	BLUE/WHITE

\$44⁹⁹

REV LONG FINGER GLOVE

- Breathable 4-way stretch mesh panels
- Elastic wrist closure
- Pre-curved ergo construction
- TipTech™ smartphone-friendly fingertips



\$39⁹⁹

Item	Size	Colour
830000368	XS	BLACK
830000369	S	BLACK
830000370	M	BLACK
830000371	L	BLACK
830000372	XL	BLACK
830000243	XS	BLACK/BLUE
830000244	S	BLACK/BLUE
830000245	M	BLACK/BLUE
830000246	L	BLACK/BLUE
830000247	XL	BLACK/BLUE
830000248	XS	GRAY/GREEN
830000249	S	GRAY/GREEN
830000250	M	GRAY/GREEN
830000251	L	GRAY/GREEN
830000252	XL	GRAY/GREEN
830000253	XS	WHITE/RED
830000254	S	WHITE/RED
830000255	M	WHITE/RED
830000256	L	WHITE/RED
830000257	XL	WHITE/RED



REV SHORT FINGER GLOVE

- Breathable 4-way stretch mesh panels
- Elastic wrist closure
- Pre-curved ergo construction



\$34⁹⁹

Item	Size	Colour
830000373	XS	BLACK
830000374	S	BLACK
830000375	M	BLACK
830000376	L	BLACK
830000377	XL	BLACK
830000258	XS	BLACK/BLUE
830000259	S	BLACK/BLUE
830000260	M	BLACK/BLUE
830000261	L	BLACK/BLUE
830000262	XL	BLACK/BLUE
830000263	XS	GRAY/GREEN
830000264	S	GRAY/GREEN
830000265	M	GRAY/GREEN
830000266	L	GRAY/GREEN
830000267	XL	GRAY/GREEN
830000268	XS	WHITE/RED
830000269	S	WHITE/RED
830000270	M	WHITE/RED
830000271	L	WHITE/RED
830000272	XL	WHITE/RED



STREAK GEL LONG FINGER GLOVE

- TipTech™ smartphone-friendly fingertips
- Soft nose wipe zone on thumb
- Plush Gel™ multi-thickness memory-foam padding
- Pre-curved ergo construction



\$34⁹⁹

Item	Size	Colour
830000358	XS	BLACK
830000359	S	BLACK
830000360	M	BLACK
830000361	L	BLACK
830000362	XL	BLACK
830000140	XS	BLUE
830000141	S	BLUE
830000142	M	BLUE
830000143	L	BLUE
830000144	XL	BLUE
830000150	XS	GRAY
830000151	S	GRAY
830000152	M	GRAY
830000153	L	GRAY
830000154	XL	GRAY



STREAK GEL SHORT FINGER GLOVE

- Soft nose wipe zone on thumb
- Plush Gel™ multi-thickness memory-foam padding
- Pre-curved ergo construction



\$29⁹⁹

Item	Size	Colour
830000363	XS	BLACK
830000364	S	BLACK
830000365	M	BLACK
830000366	L	BLACK
830000367	XL	BLACK
830000155	XS	BLUE
830000156	S	BLUE
830000157	M	BLUE
830000158	L	BLUE
830000159	XL	BLUE
830000165	XS	GRAY
830000166	S	GRAY
830000167	M	GRAY
830000168	L	GRAY
830000169	XL	GRAY



HORIZON LONG FINGER GLOVE

- Reinforced, double-layered, padded Clarino™ palm
- Anti-Slip silicon print
- Elastic neoprene cuff with micro-Velcro® closure
- Soft nose wipe zone on thumb

Item	Size	Colour
830000080	XS	GRAY
830000081	S	GRAY
830000082	M	GRAY
830000083	L	GRAY
830000084	XL	GRAY
830000348	XS	BLACK
830000349	S	BLACK
830000350	M	BLACK
830000351	L	BLACK
830000352	XL	BLACK
830000090	XS	BLUE
830000091	S	BLUE
830000092	M	BLUE
830000093	L	BLUE
830000094	XL	BLUE
830000095	XS	RED
830000096	S	RED
830000097	M	RED
830000098	L	RED
830000099	XL	RED



\$34⁹⁹

HORIZON SHORT FINGER GLOVE

- Reinforced, double-layered, padded Clarino™ palm
- Anti-Slip silicon print
- Elastic neoprene cuff with micro-Velcro® closure
- Soft nose wipe zone on thumb

Item	Size	Colour
830000105	XS	GRAY
830000106	S	GRAY
830000107	M	GRAY
830000108	L	GRAY
830000109	XL	GRAY
830000353	XS	BLACK
830000354	S	BLACK
830000355	M	BLACK
830000356	L	BLACK
830000357	XL	BLACK
830000115	XS	BLUE
830000116	S	BLUE
830000117	M	BLUE
830000118	L	BLUE
830000119	XL	BLUE
830000120	XS	RED
830000121	S	RED
830000122	M	RED
830000123	L	RED
830000124	XL	RED



\$29⁹⁹

ALL MOUNTAIN GLOVE

- Double layered in high wear areas, light palm heel padding
- Pre-curved ergo construction
- TipTech™ smartphone-friendly fingertips

Item	Size	Colour
830000461	XS	BLACK
830000462	S	BLACK
830000463	M	BLACK
830000464	L	BLACK
830000465	XL	BLACK
830000288	XS	BLACK/BLUE
830000289	S	BLACK/BLUE
830000290	M	BLACK/BLUE
830000291	L	BLACK/BLUE
830000292	XL	BLACK/BLUE
830000293	XS	GRAY/WHITE
830000294	S	GRAY/WHITE
830000295	M	GRAY/WHITE
830000296	L	GRAY/WHITE
830000297	XL	GRAY/WHITE
830000298	XS	GRAY/GREEN
830000299	S	GRAY/GREEN
830000300	M	GRAY/GREEN
830000301	L	GRAY/GREEN
830000302	XL	GRAY/GREEN



\$49⁹⁹

REALM GLOVE

- Reinforced protection on palm and knuckles
- Pre-curved ergo construction
- TipTech™ smartphone-friendly fingertips

Item	Size	Colour
830000446	XS	BLACK
830000447	S	BLACK
830000448	M	BLACK
830000449	L	BLACK
830000450	XL	BLACK
830000273	XS	BLACK/BLUE
830000274	S	BLACK/BLUE
830000275	M	BLACK/BLUE
830000276	L	BLACK/BLUE
830000277	XL	BLACK/BLUE
830000278	XS	GRAY/WHITE
830000279	S	GRAY/WHITE
830000280	M	GRAY/WHITE
830000281	L	GRAY/WHITE
830000282	XL	GRAY/WHITE
830000283	XS	GRAY/GREEN
830000284	S	GRAY/GREEN
830000285	M	GRAY/GREEN
830000286	L	GRAY/GREEN
830000287	XL	GRAY/GREEN



\$44⁹⁹

CHILL X

- ProTextura™ and Therm-Textura™ provide warmth and weather protection
- Thinsulate™ insulation
- Single layer Amara™ leather palm
- Bolton thumb construction for impeccable fit
- Long velcro wrist opening with magnet connectors

Item	Size
830000476	S
830000477	M
830000478	L
830000479	XL

\$44⁹⁹



CHILL

- Early winter glove with stretchy fleece Lycra back
- Soft nose wipe zone on thumb
- Silicon appliqué on palm & fingers for all-weather grip
- TipTech™ smartphone-friendly fingertips

Item	Size
830000175	XS
830000176	S
830000177	M
830000178	L
830000179	XL

\$34⁹⁹ Colour: BLACK



CHILL LITE

- Wind and water resistant, thermo fleece on inside
- Silicon appliqué on palm & fingers for all-weather grip
- Pre-curved ergo construction
- TipTech™ smartphone-friendly fingertips

Item	Size
830000170	XS
830000171	S
830000172	M
830000173	L
830000174	XL

\$29⁹⁹ Colour: BLACK



ON ROAD HELMETS



REV

- LiteForm™ webbing for comfort and performance
- Internal Structural Shell (ISS) for strength at reduced weight
- Giant CINCH+™ fit system for simple and easy head-hugging comfort
- 21 vent configuration for optimal airflow and top-of-the-head ventilation
- Proprietary TransTextura Plus™ anti-microbial fast wicking pad technology

 \$159⁹⁹

Item	Size	Colour
800000132	S	RACE BLUE
800000133	M	RACE BLUE
800000134	L	RACE BLUE
800000135	S	LASER BLUE
800000136	M	LASER BLUE
800000137	L	LASER BLUE
800000138	S	LASER FLUORESCENT
800000139	M	LASER FLUORESCENT
800000140	L	LASER FLUORESCENT
800000141	S	LASER RED
800000142	M	LASER RED
800000143	L	LASER RED
800000144	S	LASER WHITE
800000145	M	LASER WHITE
800000146	L	LASER WHITE



RACE BLUE



LASER BLUE



LASER FLUORESCENT



LASER RED



LASER WHITE



STREAK

- Giant CINCH+™ fit system for simple and easy head-hugging comfort
- 19 vent configuration for optimal airflow and top-of-the-head ventilation
- Proprietary TransTextura Plus™ anti-microbial fast wicking pad technology
- Removable Streak visor
- Locking Giant cam-buckles

Item	Size	Colour
800000111	S	LUNAR-FLUORESCENT
800000112	M	LUNAR-FLUORESCENT
800000113	L	LUNAR-FLUORESCENT
800000114	S	TECH BLUE
800000115	M	TECH BLUE
800000116	L	TECH BLUE
800000117	S	TECH BLACK
800000118	M	TECH BLACK
800000119	L	TECH BLACK
800000123	S	TECH WHITE
800000124	M	TECH WHITE
800000125	L	TECH WHITE



\$99⁹⁹



ALLY

- Giant Cinch 5™ Full-Ring fit system for simple and easy adjustability
- 27 vents for optimal airflow and cooling
- Locking Giant cam-buckles
- In-mold EPS construction with nylon reinforcement
- Removable visor, making it adaptable to all daily riding conditions.

Item	Size	Colour
800000104	OSFM	ILLUM-RED
800000105	OSFM	ILLUM-BLUE
800000106	OSFM	BLUE/WHITE
800000108	OSFM	CHARCOAL
800000193	XL	ILLUM-RED
800000194	XL	ILLUM-BLUE
800000195	XL	BLUE/WHITE
800000197	XL	CHARCOAL



\$79⁹⁹



HORIZON

- Giant Cinch 5™ Full-Ring fit system with LED for simple and easy adjustability
- 18 vent configuration for optimal airflow and cooling
- In-mold EPS with reinforced internal nylon strengthening
- Visor included
- Locking Giant cam-buckles

\$44⁹⁹

Item	Size	Colour
800000097	OSFM	FLUORESCENT SPEED
800000098	OSFM	WHITE SPEED
800000101	OSFM	BLACK
800000181	XL	FLUORESCENT SPEED
800000182	XL	WHITE SPEED
800000185	XL	BLACK



OFF ROAD HELMETS



ARGUS

- Giant Cinch 5™ Full-Ring fit system for simple and easy adjustability
- 18 vents for optimal airflow and cooling
- In-mold EPS with internal nylon strengthening and under-wrap shell protection, for increased durability and longevity
- 3-point, 12-degree adjustable visor
- Locking Giant cam-buckles



Item	Size	Colour
800000153	OSFM	GREEN
800000154	OSFM	BLACK
800000155	OSFM	SPEED CHARCOAL
800000234	XL	GREEN
800000235	XL	BLACK
800000236	XL	SPEED CHARCOAL

\$59⁹⁹

FACTOR

- Hard density ABS outer shell construction
- Removable/washable internal liners for ultimate hygiene
- 8 optimized vents for protection and cooling + large center mouth-port
- Adjustable visor
- Foam lined inner chin-bar area



Item	Size	Colour
800000246	S/M	TEAM BLUE
800000247	L/XL	TEAM BLUE

\$149⁹⁹

VAULT

- Hard density ABS outer shell construction, with EPS internal
- 11 air vents for cooling
- Extra set of pads included
- Locking Giant cam-buckles



Item	Size	Colour
800000067	S/M	BLUE/GREEN
800000068	L/XL	BLUE/GREEN
800000069	S/M	WHITE/BLUE
800000070	L/XL	WHITE/BLUE
800000071	S/M	BLACK
800000072	L/XL	BLACK

\$39⁹⁹

YOUTH HELMETS

VAULT JR.

- Hard density ABS outer shell construction, with EPS internal
- 11 air vents for cooling
- Extra set of pads included
- Locking Giant cam-buckles



Item	Size	Colour
800000064	OSFM	GRAY
800000065	OSFM	BLUE
800000066	OSFM	WHITE

\$39⁹⁹



EXEMPT YOUTH

- Giant Cinch 5™ Full-Ring fit system with LED lighting for simple and easy adjustability
- 18 vents for optimal airflow and cooling
- 3-point, 12-degree adjustable visor
- In-mold EPS with internal nylon strengthening and under-wrap shell protection, for increased durability and longevity
- Locking Giant cam-buckles

Item	Size	Colour
800000095	OSFM	CHARCOAL/BLUE
800000096	OSFM	PLAID BLUE

\$59⁹⁹



INCITE YOUTH

- Giant Cinch 5™ Full-Ring fit system with LED for simple and easy adjustability
- 18 vent configuration for optimal airflow and cooling
- In-mold EPS with reinforced internal nylon strengthening
- Visor included
- Locking Giant cam-buckles

Item	Size	Colour
800000092	OSFM	YELLOW/BLACK
800000093	OSFM	GRAY/CHARCOAL

\$39⁹⁹



SHINE YOUTH

- Giant Cinch 5™ Full-Ring fit system with LED for simple and easy adjustability
- 18 vent configuration for optimal airflow and cooling
- In-mold EPS with reinforced internal nylon strengthening
- Visor included
- Locking Giant cam-buckles

Item	Size	Colour
800000094	OSFM	WHITE/BLUE

\$39⁹⁹



CUB

- Pinch resistant strap padding
- EZ Cinch™ Full-Ring fit system
- 6 air vents for great air flow
- Extra set of pads for Best-Fit solution
- Locking Giant cam-buckles

Item	Size	Colour
800000060	OSFM	YELLOW
800000061	OSFM	PINK

\$34⁹⁹



PUP

- EZ Cinch™ Full-Ring fit system with red "Be-Seen" LED lighting
- 12 vent configuration for optimal airflow and cooling
- Pinch resistant strap padding & extra set of pads
- Fused PC Shell to EPS liner for better graphic application and overall outlook, quality and weight reduction
- Locking Giant cam-buckles

Item	Size	Colour
800000062	OSFM	BLUE
800000063	OSFM	PINK

\$34⁹⁹





ENGINEERING A BETTER WHEEL

SUPERLIGHT, STIFF AND FAST. EVERY GIANT WHEELSYSTEM IS PURPOSE-BUILT TO BALANCE LIGHTWEIGHT PERFORMANCE, OPTIMAL STIFFNESS, AND MAXIMUM POWER TRANSFER FOR WHATEVER STYLE OF RIDING YOU PREFER.

Whether the wheel is built for on-road or off-road use, it's all about helping riders climb, corner, sprint and descend with confidence and speed. The design philosophy behind Giant WheelSystems is called System Engineered Performance. Engineers studied the ways that the components—rims, hubs, spokes and other small parts—affect each other. From there, they developed parts that work together, as part of a system, to deliver best-in-class performance.

Here are some of the technologies behind this year's Giant WheelSystems:

GIANT WHEELSYSTEMS TECHNOLOGY



1 RECTANGULAR LEVERAGE ANGLE

FEATURES: Strategic placement of the spokes at a near 90-degree angle between the hub and rim.

BENEFIT: Optimizes rotational stiffness for maximum pedaling power and minimal wheel windup. The overall stiff feel of the WheelSystem also improves braking response for increased traction and control.

2 OPTIMIZED ANCHOR POINT

FEATURES: Driveside bracing angle increased nearly 2mm without affecting required gear spacing.

BENEFIT: Boosts lateral stiffness for a stronger, stiffer wheel that tracks more accurately, resulting in better cornering and control.

3 PRECISION HUB INTERNALS

FEATURES: Proprietary hub shells featuring race-proven Swiss-engineered hub internals.

BENEFIT: Dependable performance in demanding conditions. All hub parts are readily available and serviceable by your local retailer.

4 ADVANCED MATERIALS

FEATURES: Handbuilt rims made with composite, scandium or high-strength proprietary aluminum alloys.

BENEFIT: Improved rim strength and stiffness with lower rotational mass. Reliable, lightweight performance to help you ride faster.

5 TUBELESS DESIGN

FEATURES: Offered in Tubeless Ready or Tubeless Compatible configurations, all rims are designed for tubeless ready tire beads.

BENEFIT: Ability to run lower air pressure allows the tire to conform better to the road surface or terrain for improved traction, lower rolling resistance and a reduced risk of pinch flats.

OFF ROAD WHEELSYSTEMS



P-XCR 27.5 0

Super light, stiff and fast. At just 1400 grams, this is a high-performance wheelsystem designed for XC racing and fast trail riding.

FEATURES

- Tubeless compatible composite 27.5-inch rims, 25mm width (ETRTO 584x19)
- Durable precision Swiss hub internals
- Interchangeable hub platforms
- 1400g

Front: **\$839⁹⁹** Rear: **\$1259⁹⁹**
350000035 350000036



P-XCR 27.5 1C

FEATURES

- Lightweight composite 27.5-inch rims
- Tubeless Compatible using the supplied rim strips and valves
- 25mm wide rim for better tire performance
- Sapim Race stainless steel spokes
- Locking alloy nipples, black
- Giant alloy hub shell, 6-bolt disc compatible, precision internals
- Sealed cartridge bearings
- Interchangeable hub platforms
- 1580g

Front: **\$479⁹⁹** Rear: **\$719⁹⁹**
350000043 350000044



P-XCR 27.5 1

All the fun of 26-inch wheels with the efficiency of 29. This is a no-holds-barred wheelsystem designed for confidence and pinpoint control.

FEATURES

- Tubeless compatible alloy 27.5-inch rims, 25mm width (ETRTO 584x19)
- Durable precision Swiss hub internals
- Interchangeable hub platforms
- 1655g

Front: **\$319⁹⁹** Rear: **\$479⁹⁹**
350000039 350000040





P-TRX 27.5 0

Designed to tackle challenging, technical trails, this 27.5 option offers stiffness, durability and control in all types of terrain.

FEATURES

- Tubeless compatible composite 27.5-inch rims, 25mm width (ETRTO 584x21)
- Durable precision Swiss hub internals
- Interchangeable hub platforms
- 1440g

Front: **\$839⁹⁹** 350000037 Rear: **\$1259⁹⁹** 350000038



P-TRX 27.5 1C

FEATURES

- Lightweight composite 27.5-inch rims
- Tubeless Compatible using the supplied rim strips and valves
- 27mm wide rim for better tire performance
- Sapim Race stainless steel spokes
- Locking alloy nipples, black
- Giant alloy hub shell, 6-bolt disc compatible, precision internals
- Sealed cartridge bearings
- Interchangeable hub platforms
- 1610g

Front: **\$479⁹⁹** 350000045 Rear: **\$719⁹⁹** 350000046



P-TRX 27.5 1

The all-new P-TRX 27.5 1 delivers absolute confidence and pinpoint control in a wide variety of off-road terrain.

FEATURES

- Tubeless compatible alloy 27.5-inch rims, 27mm width (ETRTO 584x21)
- Durable precision Swiss hub internals
- Interchangeable hub platforms
- 1675g

Front: **\$319⁹⁹** 350000041 Rear: **\$479⁹⁹** 350000042

ON ROAD WHEELSYSTEMS



P-SLRO AERO

FEATURES

- Ultralight 55mm deep full-composite clincher rims
- 23mm wide rim for better tire and aerodynamic performance
- Proprietary composite braking surface to enhance braking performance
- All hub and rim surface profiles are optimized for maximum aerodynamic performance
- Aerolite bladed stainless steel spokes
- Locking internal alloy nipples increase aerodynamics
- Swiss hub internals
- Single-handed wheel release design
- Tubeless Compatible rim design
- 1610g

Front: **\$919⁹⁹** 350000067
 Rear: **\$1379⁹⁹** 350000068



P-SLRO DISC

FEATURES

- Ultralight 30mm deep full-composite disc brake only rims
- 23mm wide rim for better tire performance
- Sapim CX-Ray stainless steel spokes
- Locking alloy nipples
- Giant 6-bolt disc compatible hubs
- Swiss hub internals
- Interchangeable hub platforms
- Single-handed wheel release design
- Tubeless Compatible rim design
- 1520g

Front: **\$839⁹⁹** 350000047
 Rear: **\$1259⁹⁹** 350000048



P-SLR1 AERO

FEATURES

- Lightweight 55mm deep rims, aluminum-composite construction
- 23mm wide rim for better tire and aerodynamic performance
- CNC-machined alloy braking surface
- All hub and rim surface profiles are optimized for maximum aerodynamic performance
- Aerolite bladed stainless steel spokes
- Locking internal alloy nipples for increased aerodynamics
- Swiss hub internals
- Tubeless Compatible rim design
- 1745g

Front: **\$499⁹⁹** 350000057
 Rear: **\$699⁹⁹** 350000058



P-SLR1

FEATURES

- Ultra-light 21mm deep Scandium alloy rims, welded
- 21mm wide rim for better tire and aerodynamic performance
- CNC-machined alloy braking surface
- Asymmetric rear rim design increases lateral rigidity and more uniform spoke tension for a stronger, stiffer wheel
- Aerolite bladed stainless steel spokes
- Locking alloy nipples, black
- 1390 grams

Front: **\$399⁹⁹** 350000061
 Rear: **\$599⁹⁹** 350000062





TOTALLY CONNECTED

HANDLEBAR, STEM AND SEATPOST. THESE ARE THE CRITICAL CONNECTIONS BETWEEN BODY & BIKE.

These high-quality cockpit components are engineered and purpose-built to take your bike's performance to a higher level. Whether you ride on-road or off-road, each plays a big role in the factors that address your ride. Power transfer, control, compliance—all of these things can be improved with optimized cockpit components.

CONTACT SLR COMPOSITE ROAD COMPONENTS

The Contact SLR series represents Giant's total commitment to System Engineered Performance. Each component is stiff, lightweight and fine-tuned to reduce vibration and dramatically improve aerodynamic performance so you can ride faster with less effort.

CONTACT SLR HANDLEBAR

1. Ultra-light, full-composite construction fine-tuned for vibration damping
2. Dual radius drop and ovalized top profile with 3° rearward sweep for maximum comfort

CONTACT SLR STEM

3. Stiff, lightweight full-composite Box section design to optimize the performance benefits of GIANT OverDrive 2 technology
4. Ten length options: 60-130mm with half sizes from 115-130mm for a perfect fit for performance-oriented riders

CONTACT SLR SEATPOST

5. One-piece molded full-composite shaft and head
6. Reversible outer clamp design allows for 12mm or 23mm offset options



CONTACT SL OFF-ROAD COMPONENTS

Giant off-road components feature extra-wide handlebars and stems engineered to maximize torsional stiffness for confidence, control and incredible power delivery. And the Contact SL Switch adjustable seatpost helps you master the trickiest trails. It's instinctively easy to use, lightweight, and durable.

CONTACT SL TRAIL RISER

1. Lightweight, 2014 aluminum alloy tuned and optimized to reduce vibration
2. Wider 730mm width maximizes torsional stiffness while providing pinpoint control
3. Laser-etched micro-adjust set-up markings for quick, precise setup

CONTACT SL STEM

4. Lightweight, 3D forged, 2014 aluminum alloy box-style cross-section designed to balance weight, stiffness and performance
5. Oversized 46mm wide 6061 alloy faceplate supports and secures bars for improved stiffness

CONTACT SL SWITCH SEATPOST

6. Smooth proprietary air & oil cartridge offers more consistent load range adjustment
7. Anti-Twist Technology keeps the saddle firmly positioned
8. New & improved design effortlessly switches from external to internal cable routing



HANDLEBARS



CONTACT SLR AERO INTEGRATED BAR/STEM

- Ultra light, one piece full composite construction
- 12width/length options for optimum fit
- OD2 for improved steering stiffness (OD1 compatible)
- Clip on aerobar compatible



Item	Clamp	Width	Length	Drop	Reach	Weight
180000055	31.8mm	38cm	70mm	120mm	80mm	355g
180000056	31.8mm	38cm	80mm	120mm	80mm	360g
180000057	31.8mm	38cm	90mm	120mm	80mm	365g
180000058	31.8mm	40cm	80mm	130mm	80mm	370g
180000059	31.8mm	40cm	90mm	130mm	80mm	375g
180000060	31.8mm	40cm	100mm	130mm	80mm	380g
180000061	31.8mm	42cm	100mm	135mm	90mm	390g
180000062	31.8mm	42cm	110mm	135mm	90mm	395g
180000063	31.8mm	42cm	120mm	135mm	90mm	400g
180000064	31.8mm	44cm	100mm	140mm	95mm	400g
180000065	31.8mm	44cm	110mm	140mm	95mm	405g
180000066	31.8mm	44cm	120mm	140mm	95mm	410g

\$499⁹⁹

CONTACT SLR ROAD NEW

- Ultralight SLR composite construction
- Dual radius drop and ovalized top profile with 3 degree rearward sweep
- Five widths 36-44cm with size specific ergonomic reach and drop
- Compatible with the new Contact Aero Clip-on system
- 180g-205g



Item	Clamp	Width	Drop	Reach
180000141	31.8mm	360mm	120mm	65
180000142	31.8mm	380mm	120mm	70
180000143	31.8mm	400mm	130mm	75
180000144	31.8mm	420mm	135mm	80
180000145	31.8mm	440mm	140mm	85

\$249⁹⁹

CONTACT ROAD NEW

- 2014 aluminum alloy construction
- Dual radius drop for comfort
- Ergonomic deep drop & reach for larger hands
- Micro adjust setup markings
- 265g-300g



Item	Clamp	Width	Drop	Reach
180000152	31.8mm	360mm	120	70
180000153	31.8mm	380mm	120	70
180000154	31.8mm	400mm	120	70
180000155	31.8mm	400mm	125	75
180000156	31.8mm	420mm	125	75
180000157	31.8mm	440mm	125	75

\$39⁹⁹

CONTACT SLR AERO HANDLEBAR

- Ultra light, one piece full composite construction
- Dual radius drop and aero top profile
- Clip on aerobar compatible



Item	Clamp	Width	Drop	Reach	Weight
180000010	31.8mm	38cm	120mm	80mm	215g
180000011	31.8mm	40cm	130mm	80mm	225g
180000012	31.8mm	42cm	135mm	90mm	230g
180000013	31.8mm	44cm	140mm	95mm	245g

\$259⁹⁹

CONTACT SL ROAD NEW

- Lightweight optimized 2014 aluminum alloy construction
- Dual radius drop and ovalized top profile
- Micro adjust set-up markings
- Compatible with the new Contact Aero Clip-on system
- 250g-275g



Item	Clamp	Width	Drop	Reach
180000146	31.8mm	360mm	120	70
180000147	31.8mm	380mm	120	70
180000148	31.8mm	400mm	120	70
180000149	31.8mm	400mm	125	75
180000150	31.8mm	420mm	125	75
180000151	31.8mm	440mm	125	75

\$79⁹⁹

CONNECT XR NEW

- Short and shallow reach and drop for easy access to the controls
- Dual Radius drops flared outward for greater stability in the drops
- Ovalized top profile for greater comfort



Item	Clamp	Width
180000158	31.8mm	380mm
180000159	31.8mm	400mm
180000160	31.8mm	420mm
180000161	31.8mm	440mm

\$29⁹⁹

CONTACT SLR XC FLAT

- Ultralight SLR composite construction creates maximum stiffness with lowest possible weight
- 9 degree sweep
- Micro adjust set-up markings
- Compatible with bar ends when used with included handlebar plugs



Item	Size
180000119	690mm

\$159⁹⁹

CONTACT SL XC FLAT

- Lightweight optimized 2014 aluminum alloy
- Micro adjust laster etched set-up markings
- 5 degree rearward sweep



Item	Size
180000123	620mm

\$44⁹⁹

CONTACT SL DH

- Lightweight 2014 aluminum alloy construction
- 800mm width maximizes torsional stiffness to provide pinpoint control
- Race proven 5 degree rearward / 5 degree upward sweep
- 19mm rise



Item	Size
180000126	800mm

\$79⁹⁹

CONTACT TRAIL RISER

- Tough 2014 aluminum alloy
- 9 degree rearward / 5 degree upward sweep
- 19mm Rise



Item	Size
180000130	730mm

\$34⁹⁹

CONTACT SLR XC RISER

- Ultralight SLR composite construction creates maximum stiffness with lowest possible weight
- 9 degree sweep
- Micro adjust set-up markings
- Compatible with bar ends when used with included handlebar plugs



Item	Size
180000120	690mm

\$169⁹⁹

CONTACT SL TRAIL RISER

- Lightweight 2014 aluminum alloy construction
- 9 degree rearward / 5 degree upward sweep
- 19mm rise



Item	Size
180000125	730mm

\$64⁹⁹

CONTACT XC RISER

- Tough 2014 aluminum alloy
- 9 degree rearward / 5 degree upward sweep
- 19mm rise



Item	Size
180000128	690mm

\$34⁹⁹

CONNECT XC RISER

- Tough 2014 aluminum alloy
- 9 degree rearward / 5 degree upward sweep
- 19mm rise



Item	Size
180000134	690mm

\$19⁹⁹

CONNECT XC FLAT

- Aluminum Alloy Construction
- 9 degree rearward / 0 degree upward sweep
- 0mm Rise



Item	Size
180000140	620mm

\$19⁹⁹

CONNECT TRAIL RISER

- Tough 2014 aluminum alloy
- 9 degree rearward / 5 degree upward sweep
- 19mm Rise



Item	Size
180000138	730mm

\$19⁹⁹

CONTACT SLR AERO INTEGRATED COMPUTER MOUNT

- Designed to fit Contact SLR Integrated handlebar
- Accepts wide range of display sizes and styles
- Designed to accommodate Di2 wiring system



Item
410000031

\$9⁹⁹

CONTACT AERO CLIP-ON CLAMP

- Durable, lightweight alloy clamp system
- Simple one-bolt adjustment
- Wide range of armrest positions



Item
180000071

\$119⁹⁹

CONNECT SL "U" BAR

- Lightweight U-bar to be used with Giant Clip-On clamp system



Item
180000076

\$199⁹⁹

CONNECT SL CLIP-ON CLAMP

- Single bolt clamp for easy installation and set up
- Adjustable arm rests adapts to a wide range of positions
- Compatible with regular 31.8 round handlebars



Item
180000072

\$99⁹⁹

CONNECT SL "S" BAR

- Lightweight carbon bars to be used with Giant Clip-On Clamp system



Item
180000075

\$99⁹⁹

S-TYPE ALLOY BAR

- 22.2mm alloy aerobar extensions
- Compatible with Aero Clip-on clamp



Item
180000116

\$29⁹⁹

STEMS



CONTACT SLR OD2 CARBON NEW

- Stiff, ultra-light, full-composite oversize box-section increases torsional stiffness with tuned vertical compliance
- 46mm wide alloy faceplate
- Titanium hardware
- Recessed top cap and semi-integrated spacer maximizes stem to steerer contact
- 1-1/8" steerer adapter included

Item	Clamp	Length	Angle	Steerer
170000098	31.8mm	60mm	+/-8	1-1/4
170000099	31.8mm	70mm	+/-8	1-1/4
170000100	31.8mm	80mm	+/-8	1-1/4
170000101	31.8mm	90mm	+/-8	1-1/4
170000102	31.8mm	100mm	+/-8	1-1/4
170000103	31.8mm	110mm	+/-8	1-1/4
170000104	31.8mm	115mm	+/-8	1-1/4
170000105	31.8mm	120mm	+/-8	1-1/4



\$234⁹⁹

CONTACT SL OD2 NEW

- 3D forged 2014 aluminum alloy with oversized box cross-section
- Oversized 46mm wide 6061 alloy faceplate
- Titanium hardware
- 1-1/8" steerer adapter included

Item	Clamp	Length	Angle	Steerer	Colour
170000108	31.8mm	60mm	+/-8	1-1/4	BLACK
170000109	31.8mm	70mm	+/-8	1-1/4	BLACK
170000110	31.8mm	80mm	+/-8	1-1/4	BLACK
170000111	31.8mm	90mm	+/-8	1-1/4	BLACK
170000112	31.8mm	100mm	+/-8	1-1/4	BLACK
170000113	31.8mm	110mm	+/-8	1-1/4	BLACK
170000114	31.8mm	115mm	+/-8	1-1/4	BLACK
170000115	31.8mm	120mm	+/-8	1-1/4	BLACK
170000119	31.8mm	60mm	+/-8	1-1/4	WHITE
170000120	31.8mm	70mm	+/-8	1-1/4	WHITE
170000121	31.8mm	80mm	+/-8	1-1/4	WHITE
170000122	31.8mm	90mm	+/-8	1-1/4	WHITE
170000123	31.8mm	100mm	+/-8	1-1/4	WHITE
170000124	31.8mm	110mm	+/-8	1-1/4	WHITE
170000125	31.8mm	115mm	+/-8	1-1/4	WHITE
170000126	31.8mm	120mm	+/-8	1-1/4	WHITE
170000136	31.8mm	70mm	+/-20	1-1/4	BLACK
170000137	31.8mm	80mm	+/-20	1-1/4	BLACK
170000138	31.8mm	90mm	+/-20	1-1/4	BLACK
170000139	31.8mm	100mm	+/-20	1-1/4	BLACK



\$89⁹⁹

CONTACT OD2 NEW

- 3D forged 6061 aluminum alloy body with oversize box cross-section
- Oversized 46mm wide 6061 alloy faceplate
- ±8° rise requires fewer spacers
- 1-1/8" steerer adapter included
- Steel hardware



Item	Clamp	Length	Angle	Steerer
170000140	31.8mm	60mm	+/-8	1-1/4
170000141	31.8mm	70mm	+/-8	1-1/4
170000142	31.8mm	80mm	+/-8	1-1/4
170000143	31.8mm	90mm	+/-8	1-1/4
170000144	31.8mm	100mm	+/-8	1-1/4
170000145	31.8mm	110mm	+/-8	1-1/4
170000146	31.8mm	120mm	+/-8	1-1/4

\$39⁹⁹



CONTACT SL AM NEW

- Forged 6061 alloy construction
- Compatible with OverDrive (28.6mm) and OverDrive2 (31.8mm) steerers
- 52mm wide clamp for added stiffness
- Smooth, knee-friendly clamp design
- 5-degree rise for long-travel bikes



Item	Clamp	Length
170000130	31.8mm	50mm
170000131	31.8mm	60mm
170000132	31.8mm	70mm

\$89⁹⁹

CONTACT SL FR NEW

- Durable, light-weight forged 6061 alloy
- 52mm wide clamp for added stiffness
- Smooth, knee-friendly clamp design
- 0° rise for long travel bikes
- Compatible with OverDrive (28.6mm) and OverDrive2 (31.8mm) steerers



Giant#	Clamp	Length
170000133	31.8mm	48mm
170000134	31.8mm	55mm

\$79⁹⁹

CONTACT DH DIRECT MOUNT NEW

- Durable, lightweight forged 6061 alloy
- 52mm wide clamp for added stiffness
- 0-degree rise for long travel bikes
- Adjustable reach
- Compatible with: 2005+ RockShox Boxxer forks, FOX 40 forks, Manitou Dorado forks



Item	Clamp	Length	Angle	Steerer	Weight
170000135	31.8mm	40-50mm	0°	1-1/8"	124g

\$89⁹⁹

THREADLESS ADJUSTABLE

- 2D forged aluminum stem
- Lightweight, stiff stem for 31.8mm clamp
- 1-1/8" ahead style steer tube
- Includes top cap and bolt
- 0 to 60 degree adjustable rise



\$29⁹⁹

Item	Clamp	Length	Angle	Steerer	Colour
810668	31.8mm	95mm	+/- 7°	1-1/8"	BLACK
810669	31.8mm	110mm	+/- 7°	1-1/8"	BLACK

SPACER KITS

Item	Type	Included Sizes	Price
141200	Alloy	2x2.5mm, 1x5mm, 1x10mm	\$5.99
160000000	Carbon	1x2.5mm, 2x5mm, 2x10mm	\$9.99
160000004	Aero Spacer Kit for Aero Integrated bar		\$34.99



SEATPOSTS



CONTACT SL SWITCH REMOTE NEW

- Up to 100mm vertical travel adjustability with limitless positioning
- Anti-Twist Technology keeps the saddle firmly positioned
- Smooth air spring & oil bath cartridge offers consistent load range adjustment
- Interchangeable clamp design for standard 7mm (alloy) or 9mm (composite) saddle rails
- Reversible outer clamp design allows for 12mm or 23mm offset options



Item	Diameter	Offset	Length
150000034	30.9mm	12/23mm	350mm
150000035	30.9mm	12/23mm	375mm
150000036	30.9mm	12/23mm	400mm

\$259⁹⁹

CONTACT SWITCH PARTS

Item	Part	Length	Price
150000024	Cartridge	350mm	\$59.99
150000026	Cartridge	375mm	\$59.99
150000025	Cartridge	400mm	\$59.99
150000027	Cable Set		\$29.99
150000028	Clamp Set		\$19.99



CONTACT SLR NEW

- Single piece molded composite shaft and head
- Alloy rail clamp reverses between 12mm and 23mm offsets
- Extra long lower rail clamp is friendly with lightweight rails



Item	Diameter
150000031	27.2mm

\$149⁹⁹

VECTOR ADVANCED CARBON ZERO OFFSET

- Replacement seatpost for all 09+ non-ISP TCR, Defy, and Avail Composite, Advanced and Advanced SL bikes
- 0mm offset



Item	Diameter	Length	Offset
150000013	VECTOR	350mm	0mm

\$169⁹⁹

CONTACT SL/ ZERO OFFSET NEW

- 3D forged single piece alloy shaft and head
- 12/23mm or zero offset
- Extra long lower rail clamp is friendly with lightweight rails



Item	Diameter	Length	Offset
150000032	30.9mm	400mm	12/23mm
150000033	30.9mm	400mm	0mm

\$84⁹⁹

CONTACT COMPOSITE NEW

- Spiral wound, unidirectional composite shaft bonded to 2D forged 6061 alloy head
- Reversible outer clamp design allows for 12mm or 23mm offset options
- Extra long lower saddle rail guide designed to cradle lightweight saddle rails



Item	Diameter	Length
150000037	30.9mm	400mm
150000038	27.2mm	400mm

\$49⁹⁹

CONNECT NEW

- 6061 alloy shaft bonded to 2D forged 6061 alloy head
- Extra long lower rail clamp is friendly with lightweight rails



Item	Diameter	Length
150000039	30.9mm	400mm
150000040	27.2mm	400mm

\$24⁹⁹

SADDLES



CONTACT SADDLE



- Dynamic Forward/Upright riding positions
- Gender specific profile and center channel
- Durable synthetic leather cover with HD fill for comfort
- Lightweight LF fill with Particle Flow Technology

Item	Position	Colour	Weight
120000011	FORWARD	BLACK/GRAY	325g
120000012	FORWARD	BLACK/BLUE	325g
120000014	UPRIGHT	BLACK/WHITE	310g
120000015	UPRIGHT	BLACK/BLUE	310g



\$44⁹⁹

CONNECT SADDLE

- Dynamic Forward/Upright riding positions
- Gender specific profile and center channel
- Durable synthetic leather cover
- Lightweight LF fill with Particle Flow Technology

Item	Position	Colour	Weight
120000016	FORWARD	BLACK/GRAY	315g
120000017	FORWARD	BLACK/WHITE	315g
120000018	UPRIGHT	BLACK/GRAY	315g
120000020	UPRIGHT	BLACK/BLUE	315g



\$34⁹⁹



FLOW 1 SADDLE

- Seamless all-weather Micro-fiber top
- Lightweight chromoly rails
- Lightweight foam padding
- ZONE full-cut pressure relief

Item
771100



\$39⁹⁹



FLOW 2 SADDLE

- Seamless all-weather Micro-fiber top
- Lightweight chromoly rails
- Lightweight foam padding
- ZONE plus multi-density pressure relief

Item
771102



\$29⁹⁹

CONTACT COMFORT+



- Lightweight, water-resistant seamless synthetic cover
- Pressure relief D2 base
- Tough, durable Chromoly rails

Item
120000029



\$39⁹⁹

CONNECT COMFORT+



- Optimized design for shorter distance riding
- Lightweight, water-resistant seamless synthetic cover
- Center Zone Cut
- Steel rails

Item
120000031



\$29⁹⁹

CONTACT CITY+ UNISEX



- Center Zone Cut
- Lightweight, water-resistant seamless synthetic cover
- Pressure relief D2 base
- Tough, durable Chromoly rails

Item
120000033



\$39⁹⁹

CONNECT CITY UNISEX



- Lightweight, water-resistant synthetic cover
- Steel rails

Item
120000035



\$29⁹⁹

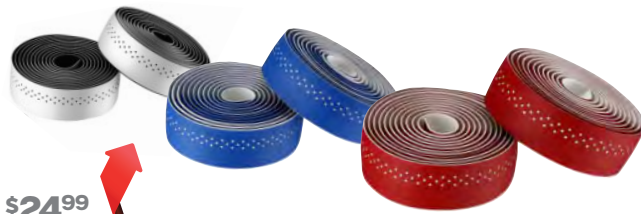
HANDLEBAR TAPE



SLR

- Washable half-perforated surface
- Includes Giant logo end plugs and Giant finishing tape
- Integrated EVA absorbs shock for increased comfort

Item	Material	Colour
190000033	SYNTHETIC	BLACK/WHITE
190000034	SYNTHETIC	WHITE/BLACK
190000035	SYNTHETIC	BLUE/WHITE
190000036	SYNTHETIC	RED/WHITE



\$24⁹⁹

CONTACT GEL

- Embossed Giant logo
- Non slip synthetic suede surface
- Anti-vibration Gel absorbs shock for increased comfort
- Includes Giant logo end plugs and Giant finishing tape

Item	Material	Colour
190000028	GEL	BLACK
190000029	GEL	WHITE
190000030	GEL	BLUE
190000031	GEL	RED



\$19⁹⁹

CONNECT GEL NEW

- Anti vibration Gel absorbs shock for increased comfort
- Multiple color options
- Includes Giant logo end plugs and Giant finishing tape

Item	Material	Colour
190000021	GEL	BLACK
190000022	GEL	WHITE
190000023	GEL	BLUE
190000024	GEL	RED



\$14⁹⁹



GRIPS



SOLE-O LOCK-ON MTB NEW

- Made from soft and durable Kraton rubber
- Custom waved raised surface

Item	Colour	Price
DOUBLE LOCK-ON		
190000057	BLACK	\$24.99
190000058	WHITE	\$24.99
190000059	BLUE	\$24.99
190000060	RED	\$24.99
SINGLE LOCK-ON		
410956	BLACK/BLACK LOCK	\$19.99
410965	BLACK/RED LOCK	\$19.99
410967	WHITE/BLACK LOCK	\$19.99
190000066	BLACK/WHITE LOCK	\$19.99
190000067	BLUE/WHITE LOCK	\$19.99
190000068	DK BLUE/WHITE LOCK	\$19.99
190000069	GRAY/WHITE LOCK	\$19.99



XC LOCK-ON MTB NEW

- Made from soft durable Kraton rubber
- Custom anatomic raised surface

Item	Colour	Price
DOUBLE LOCK-ON		
190000064	BLACK	\$24.99
190000065	WHITE	\$24.99
SINGLE LOCK-ON		
410940	BLACK/BLACK	\$19.99
410941	BLACK/BLUE	\$19.99
410942	BLACK/RED	\$19.99



DOUBLE DENSITY LOCK-ON

- Aluminum or plastic lock-on rings provide convenient installation and removal
- Double density soft kraton rubber construction provides excellent shock absorption
- Diamond shaped surface pattern provides control in all conditions

Item	Colour	Type	Price
410751	BLACK	ALLOY LOCK-ON	\$18.99
410752	BLACK	PLASTIC LOCK-ON	\$14.99



XC SL MTB

- Made from soft durable Kraton rubber
- Custom anatomic raised surface

Item	Length	Colour	Price
410900	135mm	BLACK	\$14.99
410939	135mm	WHITE	\$14.99



CONNECT ERGO MAX PLUS

- Integrated alloy bar end offers multiple hand positions and increased leverage
- Custom ergonomic profile for increased rider comfort
- Co-molded, durable Kraton rubber with softer material in critical comfort areas
- Non-slip knurled surfaces for use in all conditions
- Lock-on design

Item	Type	Length	Colour	Price
411200	LOCK-ON	125mm	BLACK/GREY	\$39.99



CONNECT ERGO MAX LOCK-ON

- Custom ergonomic profile for increased rider comfort
- Co-molded, durable Kraton rubber with softer material in critical comfort areas
- Non-slip knurled surfaces for use in all conditions
- Lock-on design

Item	Type	Length	Colour	Price
411204	LOCK-ON	125mm	BLACK/GREY	\$29.99





CONNECT ERGO MAX

- Custom ergonomic profile for increased rider comfort
- Co-molded, durable Kraton rubber with softer material in critical comfort areas
- Non-slip knurled surfaces for use in all conditions

Item	Length	Colour	Price
411202	125mm	BLACK/GREY	\$18.99



DUAL DENSITY ERGO

- Dual-Density in Kraton and gel insert
- Ergonomic shape for comfort support and handling
- Includes end-caps

Item	Colour	Price
410609	BLACK/GREY	\$12.99



SOLE-O BMX

- Made from soft and durable Kraton rubber
- Custom waved raised surface

Item	Length	Colour	Price
410948	140mm	BLACK	\$12.99
410961	140mm	BLUE	\$12.99
410954	140mm	GREY	\$12.99
410955	140mm	NEON GREEN	\$12.99

BAR ENDS



CONTACT ALUMINUM

- 3D forged aluminum construction
- Rubberized thumb plate
- Triangulated shape for maximum comfort
- Durable anodized finish

Item	Colour	Price
450711	BLACK	\$19 ⁹⁹
450712	SILVER	



CONTACT ERGO

- Ergonomic profile offers maximum comfort
- Rubberized surface provides extreme grip
- Stainless steel hardware

Item	Price
450709	\$19 ⁹⁹

PEDALS



ORIGINAL MTB - SPORT

- Scallop Shape provides extra grip and a stable platform
- Low profile design
- 10 replaceable and adjustable pins per side
- Sealer Bearings
- Cro-Mo axle

Item	Axle	Colour
230000011	9/16"	BLACK
230000012	9/16"	WHITE



\$49⁹⁹

REPLACEMENT PIN AND TOOL - MTB

- For use on Original MTB Pedal Sport/Core

Item
230000028

\$9⁹⁹



AC PEDAL

- Ultra light 235g per pair
- Aluminum cage and body
- Toe clip/strap compatible
- Cr Mo Axle
- Ball bearing

Item	Axle	Colour
230000006	9/16"	BLACK
230000007	9/16"	SILVER

\$24⁹⁹



TOE CLIP FOR AC PEDAL

- Add-on toe clips for AC pedals
- Medium or large

Item	Colour
230000026	MEDIUM
230000027	LARGE

\$12⁹⁹



ORIGINAL MTB - CORE

- Scallop Shape provides extra grip and a stable platform
- Low profile design
- 10 replaceable and adjustable pins per side
- Giant original Laser-etched pattern

Item	Axle	Colour
230000013	9/16"	BLACK
230000014	9/16"	WHITE
230000015	9/16"	RED
230000016	9/16"	BLUE



\$39⁹⁹



CITY PEDAL - SPORT

- Durable aluminum body
- Ball bearing

Item	Axle
230000022	9/16"

\$22⁹⁹



CITY PEDAL - CORE

- Plastic body
- Ball bearing

Item	Axle
230000023	9/16"

\$12⁹⁹



PLATFORM PLASTIC

- Tough and durable reinforced Nylon body
- Variety of colors
- Low profile design

Item	Axle	Colour
230000017	9/16"	BLACK
230000018	9/16"	WHITE
230000019	9/16"	RED
230000020	9/16"	LIGHT GREEN
230000021	9/16"	PURPLE

\$24⁹⁹



ATB W/TOE CLIP

- Resin black body
- Alloy cage in silver
- Resin toe-clip w/large toe box & strap
- Steel 9/16" axle

Item	Axle
670915	9/16"

\$22⁹⁹



NYLON MTB

- Nylon composite body
- 9/16" steel axle
- Includes reflectors

Item	Axle
670576	9/16"

\$8⁹⁹



PLASTIC JUVENILE

- 1/2" steel axle
- Includes reflectors

Item	Axle
670767	1/2"

\$7⁹⁹



LIL GIANT TRIKE

- Classic replacement juvenile pedals
- Steel axle and body with rubber grip blocks

Item	Axle	Colour
670303	1/2"	BLACK/SILVER

\$14⁹⁹



TOE-CLIP/STRAP SET

- Composite double arm construction
- Large toe box to accommodate variety of shoe sizes
- Braided Nylon toe clip strap

Item	Size
670805	LARGE
670806	MEDIUM

\$9⁹⁹



TIRES



P-SLR1

- Front and rear specific tread compounds
- High volume casing for comfort and performance
- Deflect 2 lightweight puncture resistant Kevlar belt under the tread
- Built-in wear indicator

Item	Size	Usage	Bead	PSI	Flat Protection	Price
340000003	700x23	FRONT	KEVLAR	120	DEFLECT 2	\$54.99
340000004	700x23	REAR	KEVLAR	120	DEFLECT 2	\$54.99
340000123	700x25	FRONT	KEVLAR	120	DEFLECT 2	\$54.99
340000124	700x25	REAR	KEVLAR	120	DEFLECT 2	\$54.99



P-SLR2

- Front and rear specific tread compounds
- High volume casing for comfort and performance
- Deflect 2 lightweight puncture resistant Kevlar belt under the tread
- Built-in wear indicator

Item	Size	Usage	Bead	PSI	Flat Protection	Price
340000019	700x23	FRONT	KEVLAR	120	DEFLECT 2	\$49.99
340000020	700x23	REAR	KEVLAR	120	DEFLECT 2	\$49.99
340000027	700x25	FRONT	KEVLAR	120	DEFLECT 2	\$49.99
340000028	700x25	REAR	KEVLAR	120	DEFLECT 2	\$49.99



P-SL2

- Front and rear specific tread compounds
- High volume casing for comfort and performance
- Deflect 2 lightweight puncture resistant Kevlar belt under the tread
- Built-in wear indicator

Item	Size	Usage	Bead	PSI	Flat Protection	Price
340000037	700x23	FRONT	KEVLAR	120	DEFLECT 2	\$39.99
340000038	700x23	REAR	KEVLAR	120	DEFLECT 2	\$39.99
340000039	700x25	FRONT	KEVLAR	120	DEFLECT 2	\$39.99
340000040	700x25	REAR	KEVLAR	120	DEFLECT 2	\$39.99



P-R3

- Front and rear specific tread compounds
- High volume casing for comfort and performance
- Deflect 3 nylon breaker belt under the tread
- Built-in wear indicator

Item	Size	Usage	Bead	PSI	Flat Protection	Price
340000047	700x23	FRONT	WIRE	120	DEFLECT 3	\$29.99
340000048	700x23	REAR	WIRE	120	DEFLECT 3	\$29.99
340000055	700x25	FRONT	WIRE	120	DEFLECT 3	\$29.99
340000056	700x25	REAR	WIRE	120	DEFLECT 3	\$29.99
340000063	700x28	FRONT	WIRE	120	DEFLECT 3	\$29.99
340000064	700x28	REAR	WIRE	120	DEFLECT 3	\$29.99



P-R1 ALL CONDITION

- Front and rear specific rubber compound
- Fast rolling, stable tread design in any on-road condition
- Folding bead

Item	Size	Usage	Bead	PSI	Price
340000133	700x25C	FRONT	WIRE	120	\$49.99
340000134	700x25C	REAR	WIRE	120	\$49.99
340000135	700x28C	FRONT	WIRE	120	\$49.99
340000136	700x28C	REAR	WIRE	120	\$49.99



P-R3 ALL CONDITION

- Front and rear specific tread rubber compound
- Fast rolling and stable tread design in any on-road condition
- Oversized casing design for better comfort
- Wire bead

Item	Size	Usage	Bead	PSI	Flat Protection	Price
340000073	700x25C	FRONT	WIRE	120	DEFLECT 3	\$39.99
340000074	700x25C	REAR	WIRE	120	DEFLECT 3	\$39.99
340000075	700x28C	FRONT	WIRE	120	DEFLECT 3	\$39.99
340000076	700x28C	REAR	WIRE	120	DEFLECT 3	\$39.99





S-R3 ALL CONDITION

- Fast rolling, stable tread design in any condition
- Reflective sidewall increases visibility
- Wire bead
- Deflect 4 puncture protection

Item	Size	Usage	Bead	PSI	Flat Protection	Price
340000082	700x25C	FRONT OR REAR	WIRE	120	DEFLECT 4	\$29.99
340000083	700x28C	FRONT OR REAR	WIRE	120	DEFLECT 4	\$29.99
340000084	700x32C	FRONT OR REAR	WIRE	85	DEFLECT 4	\$29.99



P-SLX2 ANY ROAD

- Excellent choice for city use or dry cyclocross conditions
- Wire bead
- Deflect 2 puncture protection
- Built-in wear indicator

Item	Size	Usage	Bead	PSI	Flat Protection	Price
340000093	700x32C	FRONT OR REAR	WIRE	75	DEFLECT 2	\$49.99
340000094	700x35C	FRONT OR REAR	WIRE	75	DEFLECT 2	\$49.99



P-RX2 ANY ROAD

- Tread design offers improved traction and stability on loose or rough surfaces
- Excellent choice for city use or dry cyclocross conditions
- Wire bead
- Deflect 2 puncture protection

Item	Size	Usage	Bead	PSI	Flat Protection	Price
340000095	700x32C	FRONT OR REAR	WIRE	75	DEFLECT 2	\$39.99
340000096	700x35C	FRONT OR REAR	WIRE	75	DEFLECT 2	\$39.99
340000097	700x40C	FRONT OR REAR	WIRE	75	DEFLECT 2	\$39.99



P-X1

- Abrasion resistant low-density nylon sidewalls
- Built-in wear indicator
- Reflective sidewalls

Item	Size	Bead	PSI	Price
340000088	700x32C	WIRE	65	\$39.99
340000089	700x35C	WIRE	65	\$39.99



SPORT 27.5

- Durable 30 TPI casing
- Tread pattern functions well on cycling paths or trails

Item	Size	Usage	Bead	PSI	Flat Protection	Price
340000122	27.5x2.1	FRONT OR REAR	WIRE		DEFLECT 2	\$29.99
340000121	27.5x1.95	FRONT OR REAR	WIRE		DEFLECT 2	\$29.99



P-X2

- Anti-abrasion sidewalls and kevlar belt
- Built-in wear indicator
- Reflective sidewall increases visibility
- Wire bead
- Deflect 4 Puncture Protection

Item	Size	Bead	PSI	Flat Protection	Price
340000090	700x32C	WIRE	65	DEFLECT 4	\$28.99
340000091	700x35C	WIRE	65	DEFLECT 4	\$28.99



LOCKS



FOLDING 1 NEW

- Strong links covered with a soft coating to prevent scratches
- 5mm hardened steel bars are linked with special rivets
- Link construction allows compact folding
- Includes 2 keys
- Included case for storing lock and attaching on bike



Item
520000051



\$69⁹⁹

FOLDING 2 NEW

- Strong links covered with a soft coating to prevent scratches
- 3mm hardened steel bars are linked with special rivets
- Link construction allows compact folding
- Includes 2 keys
- Included case for storing lock and attaching on bike



Item
520000052



\$59⁹⁹

SURELOCK PROTECTOR 1 NEW

- X4P Quattro bolt locking mechanism provides unequal strength
- Massive 14mm (0.55") ultra-hardened-steel shackle provides maximum cut-resistance
- M-Key cylinder is more reliable and user-friendly than ever before, prevents key from turning before being fully inserted into the cylinder
- QR mounting bracket
- included-fits 24-40mm tubes
- Micro-light key projects a highly focused white light beam
- Integrated dust cover protects the cylinder
- Includes 5 keys



Item	Type	Size	Price
520000000	DOUBLE TIME	14mmx230mm/ 10mmx120mm CABLE	\$54.99
520000002	LONG SHACKLE	14mmx292mm	\$49.99
520000001	STANDARD	14mmx230mm	\$44.99



SURELOCK PROTECTOR 2

- X2P double bolt locking mechanism provides stable strength and high pull resistance
- Massive 13mm (0.51") ultra-hardened steel shackle provides maximum cut-resistance
- M-Key cylinder is more reliable and user-friendly than ever before, prevents key from turning before being fully inserted into the cylinder
- QR mounting bracket included – fits 24-40mm tubes
- Integrated dust cover protects cylinder
- Includes 5 keys

Item	Type	Size	Price
520000003	DOUBLE TIME	13mmx230mm/ 10mmx120cm cable	\$39.99
520000005	LONG SHACKLE	13mmx292mm	\$34.99
520000004	STANDARD	13mmx230mm	\$29.99



SURELOCK FLEX 15 - COMBO

- Extra-flexible cable with integrated re-settable combo lock
- Zinc caps offer more protection against attacks
- Tough vinyl cover protects against scratches
- 4 fluorescent digits; set your own combination—no keys to lose or forget (10,000 variations)
- Includes handy straps for compact carry and mount bracket



Item	Type	Size
520000015	COMBO	15mmx185cm

\$29⁹⁹

SURELOCK TOUGH 1

- X2P double-bolt locking mechanism provides strength and high pull resistance
- M-Key cylinder prevents key from turning before being fully inserted
- Zinc caps offer more protection against impact attacks
- Automatic dust cover protects lock cylinder
- Hardened steel shells protect twisted steel cable and a tough vinyl outer sleeve protects against scratches



Item	Type	Size
520000008	KEY	25mmx120cm

SURELOCK FLEX 15 - KEY

- X2P double bolt locking mechanism for stable security
- Extra-flexible, self-coiling cable with integrated lock
- Tough vinyl cover protects against scratches
- Zinc caps offers more protection against attacks
- Easy-to-use quick release bracket (included)
- High security, pick and drill resistant lock cylinder with automatic dust cover protects lock cylinder
- Includes 5 keys (1 micro-light and 4 extra keys)



Item	Type	Size
520000010	KEY	15mmx185cm

\$26⁹⁹

SURELOCK FLEX 8

- Tough vinyl cover protects against scratches
- 4 digits, set your own combination
- Includes mount bracket

Item	Colour	Type	Size	Price
520000037	BLACK	COMBO	8mm	\$19.99
520000038	PURPLE	COMBO	8mm	\$19.99
520000032	BLACK	KEY		\$16.99
520000033	PURPLE	KEY		\$16.99



SURELOCK TWIST BRACKET

- Easy-to-use quick release bracket
- For use with Surelock Flex and U-Locks

Item	Type	Price
520000023	U-LOCK	\$8.99
520000024	CABLE LOCK	\$6.49



INDOOR TRAINERS



CYCLOTRON FLUID COMP

Don't let the weather or a busy schedule get in the way of your fitness. Giant's Cyclotron Fluid Comp Trainer will keep you spinning year-round.

- Real Road Simulation (RRS) technology provides up to 2000 watts of quiet, smooth, progressive resistance
- TurboTron 70mm alloy roller with internal cooling fins reduces heat build up and prolongs tire life
- F4 fluid formed alloy frame provides incredible stiffness
- Dial-adjust anti-skid feet keep your trainer stable and your floors clean
- Accommodates most wheels from 24" to 29"
- Pre-loading coupler and torque set knob allow for easy bike installation and removal
- 17.6lb flywheel for improved road feel
- Includes riser block



Item	Adj. Resistance	Colour	Price
931101	NO	WHITE/SILVER	\$449.99



CYCLOTRON FLUID ST

- Real Road Simulation (RRS) technology provides up to 2000 watts of quiet, smooth, progressive resistance
- TurboTron 70mm alloy roller with internal cooling fins reduces heat build up and prolongs tire life
- F4 fluid formed alloy frame provides incredible stiffness
- Dial-adjust anti-skid feet keep your trainer stable and your floors clean
- Accommodates most wheel from 24" to 29"
- 7.5lb flywheel for improved road feel

Item	Adj. Resistance	Colour	Price
931107	NO	SILVER	\$379.99



CYCLOTRON AUTO MAG

- Progressive magnetic resistance automatically gives a wide range of resistance from easy spins to burning climbs with no remote adjuster
- 100% aluminum Grey anodized I-Beam frame is stellar looking and rust-resistant
- Non-skid rubber adjustable leveling feet
- Precision-turned 2" aluminum roller and 1500g (3.3lbs) flywheel are mounted to a stiff, die-cast aluminum carrier for smooth pedaling action
- Tough steel replacement quick-release skewer included
- Accommodates most wheel/tire sizes 29", 27", 700C, and 26"

Item	Adj. Resistance	Colour	Price
930605	AUTO	GREY	\$299.99



CYCLOTRON MAG

- Quiet magnetic unit with 7 resistance levels activated by handlebar mounted thumb shifter
- Handlebar mounted, 7-level thumb shifter, quickly mounts on handlebars from 22.2mm (7/8") up to 31.8mm (1 1/4")
- Precision-turned 2" aluminum roller and 1500g (3.3lbs) flywheel
- Heavy-duty, 100% steel, TIG welded frame with wide stance and tough powder coating that looks great and resists rust
- Non-skid rubber adjustable leveling feet
- Tough steel replacement quick-release skewer included
- Accommodates most 24", 26", 700C, and 27" wheel/tire sizes

Item	Adj. Resistance	Colour	Price
930601	YES	WHITE	\$229.99



TRAINER MAT

- Rubberized material for easy rinse off after your workout
- 'Pebbled' surface, anti-skid and scratch-resistant material protects flooring while working out
- Extra-large 3' x 6' (91.5cm x 183cm) size covers entire workout area, prevents perspiration from getting on carpets or wood floors
- Comes rolled-up in draw-string, mesh carry bag with shoulder strap

Item	Colour	Price
930503	BLACK	\$49.99



RISER BLOCK

- For a stable, worry free ride in any rear mounted trainer
- Compatible with 26/700C wheels
- Anti-skid base

Item	Colour	Price
930501	BLACK	\$15.99



SWEAT BLOCKER

- Terry cloth sweat-stopper, Sweat Net, Bike-Thong... we call it a G-Thang

Item	Colour	Price
930504	BLACK	\$19.99

TRAINER SERVICE PARTS

Item	Description	Price
930403	930403 CYCLOTRON MAG TRAINER CONTROL CLAMP	\$13.99
930405	930405 CYCLOTRON MAG TRAINER CABLE	\$7.99
930407	930407 CYCLOTRON MAG TRAINER Q/R LEVER	\$19.99

LIGHTS



NUMEN AERO/AERO+ LED HEADLIGHT

See and be seen after dark with this super bright aerodynamic light. With five bright LED bulbs and three modes the Numen Aero/Aero+ is sure to extend your available riding time.

- Aero+ is USB rechargeable and includes 3 rechargeable batteries
- Five bright LEDs
- High/mid/flashing modes
- Easy, low profile center of handlebar mount
- Water resistant rubber and plastic housing



Item	Name	Burn Time	Batteries	Colour	Price
571105	AERO+	UP TO 50 HRS	3 AAA RECHARGEABLE	BLACK	\$39.99
571104	AERO	UP TO 50 HRS	3 AAA	BLACK	\$29.99



NUMEN AERO+ TAILLIGHT

- 3 SMD LEDs
- 3 modes: Steady (2hrs)/Flash (4hrs)/Patrol (6hrs)
- Li-ion Rechargeable battery via Micro USB port
- Low battery indicator



Item
400000032

\$34⁹⁹

NUMEN AERO TAILLIGHT

- 3 LED, aerodynamic taillight
- Designed for ISP/ aero seatposts
- 3 modes: Steady/ Flashing/Chasing
- Easy o-ring mount
- Water resistant rubber and plastic housing



Item	Burn Time	Batteries
571106	UP TO 90 HRS	2 CR2032

\$19⁹⁹

NUMEN AERO ISP MOUNT

- Rubberized mount fits into existing Numen Aero mount - for secure attachment to ISP frames



Item
400000014

\$4⁹⁹

NUMEN+ SPARK NEW

- HL: 16 Super bright white LEDs
TL: 30 Super bright red LEDs
- Modes: Overdrive (1.5hrs)/ Steady (4.5hrs)/ Flash (5hrs)/ Strobe (5.5hrs)/ Pulse (6hrs)
- Li-ion rechargeable battery via Micro USB
- HL: 80 Lumens, TL: 30 Lumens
- User friendly rubber strap mounting design



Item	Type	Colour
400000094	HEADLIGHT	BLACK
400000095	HEADLIGHT	WHITE
400000096	TAILLIGHT	BLACK
400000097	TAILLIGHT	WHITE

\$44⁹⁹

NUMEN+ CLICK NEW

- 1 Super bright White(HL)/Red(TL) LED
- Modes: Steady (3hrs)/ Flash (50hrs)
- Li-ion rechargeable battery via Micro USB
- HL: 40 Lumens, TL: 15 Lumens
- User friendly rubber strap mounting design

HEADLIGHT

Item	Colour
400000062	BLACK
400000063	SILVER
400000064	BLUE
400000065	RED
400000066	GRAY
400000067	PINK



\$39⁹⁹

TAILLIGHT

Item	Colour
400000068	BLACK
400000069	SILVER
400000070	BLUE
400000071	RED
400000072	GRAY
400000073	PINK



\$39⁹⁹

NUMEN+ HL1

- 2W headlight with High power Creed LED
- Modes: High (6hrs) /Mid (12hrs)/Flash (30hrs)/Strobe (30hrs)/Police Flash (30hrs)
- Aluminum body
- Li-ion Rechargeable Battery via Mirco USB
- Power indicator

Item	Batteries
400000024	INTERNAL

\$84⁹⁹



NUMEN+ HL1.5 NEW

- 1W super bright LED
- Modes: High (3hrs)/Mid (6hrs)/Flash (25hrs)
- Low battery indicator
- Charge time: 1.5hrs
- 115 Lumens
- Li-ion rechargeable battery via Micro USB
- User friendly mounting system

Item	Batteries
400000045	INTERNAL

\$59⁹⁹



NUMEN+ HL2

- 4 Lamp LEDs
- 15 LUX compact headlight
- Modes: High (3hrs)/Mid (6hrs) /Flash (12hrs)
- Rechargeable Battery via mirco USB
- Low battery indicator

Item	Batteries	Colour
400000025	INTERNAL	BLACK
400000026	INTERNAL	WHITE

\$34⁹⁹



NUMEN HL2

- 2 LUX headlight
- 5 Lamp LEDs
- Modes: High (40hrs) /Mid (50hrs) /Flash (120hrs)
- 3 AAA Batteries included
- Low battery indicator

Item	Batteries	Colour
400000029	3 AAA	BLACK
400000030	3 AAA	WHITE

\$24⁹⁹



NUMEN COMBO

- 5x LEDs 2 LUX@10m /5x LEDs
- 3x/2x AAA Battery
- Numen HL2 Modes: High, Mid, Flash
- Numen TL1 Modes: Steady, Flash, Patrol, Random

Item
400000031

\$39⁹⁹



NUMEN MINI COMBO NEW

- 2 Bright LEDs
- 2 Modes: Steady/Flash
- Easy mount soft strap
- Water resistant rubber case

Item
400000040

\$24⁹⁹



NUMEN MINI

- 2 Bright LEDs
- 2 Modes: Steady/Flash
- Easy mount soft strap
- Water resistant rubber case

Item	Type	Colour	Price
400000001	FRONT	BLACK	\$14.99
400000002	FRONT	WHITE	\$14.99
400000003	FRONT	RED	\$14.99
400000004	FRONT	BLUE	\$14.99
400000005	FRONT	GREEN	\$14.99
400000006	FRONT	PURPLE	\$14.99
Item	Type	Colour	Price
400000007	REAR	BLACK	\$14.99
400000008	REAR	WHITE	\$14.99
400000009	REAR	RED	\$14.99
400000010	REAR	BLUE	\$14.99
400000011	REAR	GREEN	\$14.99
400000012	REAR	PURPLE	\$14.99



NUMEN+ TL1 TAILLIGHT

- 5 Super bright LEDs
- Modes: Steady (4hrs) /2Sides (5hrs)/Flash (15hrs)/Pulse (15hrs) /Patrol (30hrs)
- Li-ion rechargeable battery via Micro USB
- Tool-free mounting

Item	Batteries
400000033	INTERNAL

\$44⁹⁹



NUMEN+ TL2.0 TAILLIGHT

- 0.5W Super bright LEDs
- Modes: High (4hrs)/Mid (15hrs)/Flash (45hrs)/Pulse (15hrs)/Random (55hrs)
- Charge time: 1.5hrs
- Li-ion rechargeable battery via Micro USB
- User friendly mounting system

Item	Batteries
400000046	INTERNAL

\$39⁹⁹



NUMEN TL3.0

- 1 high power LED + 6 bright LEDs
- 4 modes: steady /flashing/chasing /random
- Vertical or horizontal tool-free mounting
- Water resistant

Item	Burn Time	Batteries
571003	UP TO 180HRS	2 AAA

\$25⁹⁹



NUMEN TL1 TAILLIGHT

- 5 LEDs Taillight
- 2 AAA Battery included
- Modes: Steady (40hrs)/Flash (80hrs) /Patrol (200hrs) /Random (200hrs)
- Alternative mounting positions possible

Item	Batteries
400000034	INTERNAL

\$14⁹⁹



NUMEN+/NUMEN CLICK RUBBER STRAP

- Replacement strap for attachment to bicycle

Item	Type
400000074	HEADLIGHT
400000075	TAILLIGHT

\$4⁹⁹



NUMEN HEADLIGHT MOUNT

- Replacement mount for Numen headlights (Not Numen Mini)

Item
400000041

\$4⁹⁹



NUMEN TAILLIGHT MOUNT

- Replacement mount for Numen taillights (Not Numen Mini)

Item
400000042

\$4⁹⁹



NUMEN+ AERO TL O-RING

- Replacement band for Numen Plus Aero TL

Item
400000043

\$2⁹⁹



C-CLIP FOR NUMEN TAILLIGHT

Item
400000044

\$3⁹⁹

TAILLIGHT ADAPTER PADS

Item	Type
400000049	D-FUSE
400000047	ISP/PROPEL
400000048	AERO

\$4⁹⁹



COMPUTERS



NEOS SYNC NEW

ANT+ digital wireless computer with PC-link, optional heart rate belt and speed/cadence sensor allows riders to track their data and integrate with Giant RideSense.

- Computer connects to smartphone or as a stand alone unit (sensor not included)
- RideSense compatible
- User friendly setup process
- Pre-set Wheel Size (10 major wheel sizes)
- Smart Backlight (light sensor detect)
- Rechargeable battery
- ios only



Item
410000047

\$129⁹⁹

NEOS COMPUTER NEW

ANT+ digital wireless computer with PC-link, optional heart rate belt and speed/cadence sensor allows riders to track their data and integrate with Giant RideSense.

- ANT+ 2.4GHz digital wireless multi-function computer
- PC-linked data analysis
- RideSense Compatible
- Neos Pro+ Includes Giant ANT+ heart rate belt
- Compatible with 3rd party ANT+ compliant power devices
- Smart backlight



Item
410000046

\$69⁹⁹

AXACT 9W

- 9 function wireless cycling computer
- Easy coin-release battery cap
- Simple low battery indicator
- Auto Start/Stop/Sleep
- Calorie consumption calculation

Item	Colour
410000004	BLACK
410000005	WHITE

\$39⁹⁹



AXACT 13W NEW

- 13 function wireless cycling computer
- Easy coin-release battery cap
- Simple low battery indicator
- Auto Start/Stop/Sleep
- Calorie consumption calculation
- User-friendly pace setting

Item	Colour
410000006	BLACK

\$49⁹⁹



AXACT 6 WIRED

- 6 function wired cycling computer
- Easy coin-release battery cap
- Simple low battery indicator
- Auto Start/Stop/Sleep
- Calorie consumption calculation

Item
410000003

\$24⁹⁹



CONTINUUM SYNC NEW

ANT+ digital wireless computer with PC-link, optional heart rate belt and speed/cadence sensor allows riders to track their data and integrate with Giant RideSense.

- Computer connects and displays information from smartphone
- Big display screen with LED backlight
- User friendly setup process/ APP setup
- Pre-set Wheel Size (10 major wheel sizes)
- Phone miss call reminder
- Must operate with smartphone (ios only)



Item	Colour
410000069	BLACK
410000070	WHITE

\$64⁹⁹

CONTINUUM 9W

Easy to install, easy to use, and available in four trendy colours to match any Giant Bicycle—the Continuum 9 is the perfect computer for your fashion conscious customers who know quality and expect performance.

- 9 function wireless computer: Speed, distance, ride time, average speed, max speed, alarm, odometer, calorie, clock
- Large, easy-to-read display
- Low battery indicator
- Back light



Item	Colour
291003	BLACK
291004	WHITE
291005	BLUE
291006	PINK

\$39⁹⁹

CONTINUUM 7 WIRED

- 7 function wired computer: Speed, distance, ride time, alarm, odometer, calorie, clock
- Large, easy-to-read display
- Low battery indicator



Item	Colour
291001	BLACK
291002	WHITE

\$24⁹⁹

CONTACT SLR INTEGRATED MOUNT

- Designed to fit Contact SLR Integrated handlebar
- Designed to accommodate Di2 wiring system
- Accepts wide range of display sizes and styles



Item
410000031

\$9⁹⁹

AXACT WIRELESS MOUNT KIT

- Includes Sensor + Magnet

Item
410000033

\$24⁹⁹



AXACT WIRED MOUNT KIT

- Includes Sensor + Magnet

Item
410000032

\$13⁹⁹



COMPUTER ACCESSORIES

Item	Name	Price
410000055	MY15 RIDESENSE ANT+/BLU	\$49.99
291132	HR BELT	\$69.99
291133	2IN1 SENSOR + MAGNETS	\$39.99
291134	MOUNT PACK	\$14.99
291135	RIDE SENSE SENSOR + MAGNETS	\$49.99
291136	MY14 RIDESENSE ANT+	\$7.99
410000054	EXTENSION MOUNT NEOS/CONTINUUM SYNC	\$12.99
410000053	NEOS/CONTINUUM SYNC MOUNT	\$9.99



PUMPS & ACCESSORIES



CONTROL TOWER PRO

- High pressure floor pump with top mount gauge rated to 160PSI
- Chrome plated steel barrel with die cast base
- Grip tape base increases stability
- Auto head switches seamlessly between SV and PV, with pressure-release valve

Item	Colour	Price
640000010	SILVER	\$99.99

CONTROL TOWER 1+

- 2.5" top mounted gauge
- Durable steel barrel and base
- Ergonomic handle adds comfort while storing ball inflation accessories
- Auto valve head with pressure release button
- 160psi

Item	Colour	Price
610000060	BLACK	\$74.99



CONTROL TOWER 1

- High pressure floor pump with precision gauge
- Durable powder coat finish
- Auto Head automatically switches from between valve types
- Grip tape base increases stability

Item	Colour	Price
610000014	BLACK	\$54.99



CONTROL TOWER 2

- Durable brushed Aluminum barrel finish
- Dual valve head, requires no valve head adjustment
- Grip tape base increases stability

Item	Colour	Price
610000021	CHARCOAL	\$44.99



CONTROL TOWER 3

- Bomb-proof composite barrel and base
- Convertible head for SV/PV
- Ball needle included in base

Item	Colour	Price
610000025	BLACK	\$29.99



CONTROL MINI PRO CO2

- Micro-sized pump and integrated CO2 inflator lets you choose between pumping or inflating with CO2
- Aluminum barrel
- Presta/ Schrader compatible
- 120psi

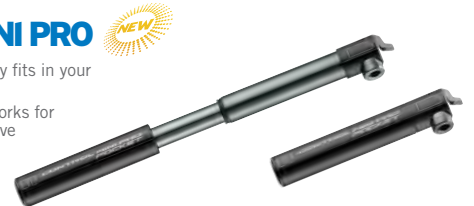
Item	Price
610000057	\$39.99



CONTROL MINI PRO

- All aluminum body easily fits in your jersey pocket (130mm)
- Reversible valve head works for Presta and Schrader valve
- Aluminum barrel
- 120psi

Item	Price
610000058	\$34.99



CONTROL MINI ROAD+

- Lightweight and compact aluminum design
- 18.5mm wide air chamber, delivering Hi-Pressure
- Expandable internal hose with threadable valve for easy pumping

Item	PSI	Price
610000000	160	\$34.99



CONTROL MINI MTB+

- Lightweight and compact aluminum design
- 20.5mm wide air chamber, delivering Hi-Pressure
- Expandable internal hose with threadable valve for easy pumping

Item	PSI	Price
610000003	140	\$34.99



CONTROL MINI ROAD

- Full aluminum body
- Lightweight design
- Extendable T-Handle with Locking position

Item	PSI	Price
610000004	120	\$24.99



CONTROL MINI MTB

- Full aluminum body
- Telescoping technology delivers Max-Volume
- Extendable T-Handle with Locking position

Item	PSI	Price
610000007	90	\$24.99



CONTROL BLAST CO² KIT

- Design keeps thumb safe from cold air
- Simple push-on feature activates air cartridge
- Includes 1, 16g threaded CO² cartridge

Item	Price
610000009	\$18.99



CONTROL BLAST CO² PACKS

- Thin foam insulation for best grip and comfort

Item	Size	Qty	Price
610000043	16g	3 PACK	\$9.99
610000044	16g	10 PACK	\$29.99
610000053	16G	50 PACK	\$139.99
610000054	25G	2 PACK	\$14.99
610000055	25G	6 PACK	\$34.99
610000056	25G	50 PACK	\$279.99



CONTROL SHOCK PUMP

- Double function—inflates shocks and tires with included Presta adapter
- 300 PSI (20 bar) removable gauge for easy storage on or off the bike
- Foldable hose and T-handle
- 2-3 PSI micro-adjust bleeder button
- Rubber armored gauge prevents damage and increases accuracy and longevity

Item	Type	PSI	Colour	Price
690904	SHOCK PUMP	300	SILVER/BLACK	\$39.99

REPLACEMENT PRESSURE GAUGE



Item	Replacement Part For	Price
610000036	CONTROL TOWER PRO	\$14.99
610000034	CONTROL TOWER 1	\$12.99



REPLACEMENT AUTO HEAD AND HOSE

Item	Replacement Part For	Price
610000038	MY13 CONTROL TOWER PRO	\$23.99
610000032	MY13 CONTROL TOWER 1	\$19.99

CONTROL TOWER PRO/1 O-RING



Item	Price
610000033	\$ 1.99

BAGS



WATERPROOF PANNIER

- Lightweight, high volume pannier bag for serious bike touring
- Perfex™ hi-frequency welded seams, TPU laminated fabrics and 100% waterproof
- Tool free Ego-Clutch™ rack mounting system
- Convenient and accessible side pocket
- Detachable shoulder strap
- Volume: 25L

Item
430000016

\$89⁹⁹ /each



CITY PANNIER

- Simple pannier bags for everyday shopping or commuting
- Water resistant laminated fabric
- Convenient tool-free installation
- Reflective safety accents
- Taillight hangers
- Volume: 20L

Item
430000035

\$49⁹⁹ /set



WATERPROOF BACKPACK

- Lightweight, high volume backpack ideal for messengers or commuters
- Perfex™ hi-frequency welded seams, TPU laminated fabrics and 100% waterproof
- Air-channel design helps to keep rider cool and dry
- Reflective safety marks and taillight hangers
- Convenient and accessible side pocket
- Detachable shoulder strap
- Volume: 25L

Item
430000011

\$99⁹⁹



WATERPROOF HANDLEBAR BAG

- Hard shell waterproof handlebar bag
- Detachable map holder
- Adjustable foam compartments for photo equipment
- Perfex™ hi-frequency welded seams, TPU laminated nylon fabric and 100% waterproof
- Tool free Vertex® mounting system
- Detachable shoulder strap
- Volume: 3 Liters

Item
430000015

\$89⁹⁹



HANDLEBAR BAG MINI

- Mini handlebar bag for frequently used gadgets
- Vertex® quick-release system
- Water resistant laminated fabrics
- Built-in rain cover
- Detachable shoulder strap
- Reflective safety accents

Item
430000031

\$69⁹⁹



TRUNK BAG WP NEW

- ProTextura Plus™ waterproof trunk bag
- Ultrasonic welded seams, 840D
- TPU laminated nylon
- Reflective logos
- Tail light hangers

Item
430000037

\$89⁹⁹



TRUNK BAG DX



- High-volume trunk bag with expandable pannier style side pockets.
- Adjustable foam compartments for photo equipment
- Water resistant laminated ProTextura™ fabrics
- Built-in rain cover
- Tool-free installation
- Detachable shoulder strap
- 3M Scotchlite™ reflective safety accents



Item 430000034 **\$99⁹⁹**

TRUNK BAG ST

- Standard trunk bag for touring
- Adjustable foam compartments for photo equipment
- Water resistant laminated fabrics
- Built-in rain cover
- Tool-free installation
- Detachable shoulder strap
- Reflective safety accents



Item 430000033 **\$79⁹⁹**

TRUNK BAG MINI

- Mini trunk bag for short trips
- Adjustable foam compartments for photo equipment
- Water resistant laminated fabrics
- Built-in rain cover
- Tool-free installation
- Detachable shoulder strap
- Reflective safety accents



Item 430000032

\$49⁹⁹

WATERPROOF SEAT BAG

- Lightweight yet high volume seat bag
- Perfex™ hi-frequency welded seams, TPU laminated fabrics and 100% waterproof.
- Easy to operate quick-release buckle system
- Taillight hanger
- Volume: 0.6L (S), 1.0L (M), 1.5L (L)



Item	Size	Price
430000014	L	\$34.99
430000013	M	\$29.99
430000012	S	\$24.99

SEAT BAG DX



- Streamline, aero-shaped seat bag
- External side pockets
- Water resistant laminated fabrics
- Reliable Velcro™ strap fixer with tool-free installation
- Built-in key holder
- Reflective safety accents
- Taillight hanger
- Expandable zippered bottom (size L)



Item	Size	Price
430000029	L	\$29.99
430000028	M	\$24.99
430000027	S	\$19.99

TOP TUBE BAG WP



- Quickly and easily access a camera or mobile phone on the road
- Perfex™ hi-frequency welded seams, TPU laminated fabrics, 100% waterproof
- Wide compatibility fits most bike frames
- Tool free installation
- Weight: 85g(S)/110g(L)
- Volume: 0.4L(S) /0.75L (L)''



Item	Size	Price
430000009	S	\$24.99
430000010	L	\$29.99



QUICK FIX COMPRESS

- Everything you need for a quick fix:
- 3 tire levers
 - 9-function multi-tool
 - CO² inflator, with 2 CO² 16g cartridges
 - Seat bag

Item 610000050 **\$54⁹⁹**



QUICK FIX COMBO

- Everything you need for a quick fix:
- 12 glueless patches
 - 3 tire levers
 - 9-function multi-tool
 - Mini pump
 - Seat bag

Item 610000049 **\$44⁹⁹**



SHADOW REPAIR WALLET

- Small weather resistant construction allows riders to carry ID, cash, and flat repair kit in a jersey pocket
- Includes Control Blast Inflator, 1 16g CO² cartridge, and Control Patch Kit with tire levers

Item 130826 **\$29⁹⁹**



WATER BOTTLE CAGES



AIRWAY PRO1 CARBON

- Light weight 3K carbon fiber
- 25g

Item	Colour
490000057	MATT BLACK/WHITE
490000058	MATT BLACK/RED
490000059	MATT BLACK/GRAY



\$59⁹⁹



AIRWAY CARBON SIDEPULL

- Light weight 3K carbon fiber
- 45-degree removal/insertion (right hand)
- Suitable for smaller frames

Item	Colour	Hand
490000015	MATT BLACK/GRAY	RIGHT
490000016	MATT BLACK/WHITE	RIGHT
490000017	MATT BLACK/GRAY	LEFT
490000018	MATT BLACK/WHITE	LEFT



\$59⁹⁹



PROWAY CAGE

- High flex plastic material
 - Open construction
- is suitable for a wide variety of bottles

Item	Colour
490000037	BLACK/RED
490000038	BLACK/BLUE
490000039	BLACK/WHITE
490000040	BLACK/GRAY
490000041	WHITE/RED
490000042	WHITE/BLUE
490000043	WHITE/GREEN
490000044	WHITE/GRAY



\$19⁹⁹



PROWAY SIDEPULL

- High flex plastic material
 - 45-degree removal/insertion
- (right hand)
- Suitable for smaller frames

Item	Colour
490000045	BLACK/RED
490000046	BLACK/BLUE
490000047	BLACK/WHITE
490000051	WHITE/RED
490000052	WHITE/BLUE
490000053	WHITE/GRAY



\$19⁹⁹



AIRWAY AERO

- Low profile, aerodynamic water bottle shape
- Carbon constructed, integrated water bottle cage

Item
490000019



\$79⁹⁹

GATEWAY ALLOY

- Tough, but still flexible alloy cages
- 47g

Item	Size	Colour
490000020	6mm	BLACK
490000021	6mm	SILVER
490000022	6mm	WHITE
490000023	6mm	BLUE
490000024	6mm	RED



\$5⁹⁹

GATEWAY ALLOY

- Tough, but still flexible alloy cages
- 32g

Item	Size	Colour
490000030	4mm	BLACK
490000031	4mm	SILVER
490000033	4mm	BLUE
490000034	4mm	RED



\$6⁹⁹

GATEWAY ALLOY SIDEPULL

- Tough alloy construction
- 45-degree removal/insertion (right hand)
- Suitable for smaller frames

Item	Colour
490000035	BLACK
490000036	SILVER



\$12⁹⁹

TRINITY BOTTLE CAGE ADAPTER

- Used to mount behind the seat for lower wind resistance
- Adjustable angle (1 or 2 bottles)
- Cages not included

Item
970845



\$19⁹⁹

WATER BOTTLES



GIANT SHIMANO NEW

Item	Size
48000006	600ml

\$8⁹⁹



POUR FAST AUTOSPRING



- Patented, leak proof valve, made by silica gel, no need to close
- Improved material thickness for easier squeeze
- 100% BPA-Free



Item	Size	Colour	Price
48000006	600ml	BLACK/BLUE	\$8.99
48000008	600ml	CLEAR/BLUE	\$8.99
48000010	600ml	BLACK/GRAY	\$8.99
48000012	600ml	CLEAR/GRAY	\$8.99
48000007	750ml	BLACK/BLUE	\$9.99
48000009	750ml	CLEAR/BLUE	\$9.99
48000011	750ml	BLACK/GRAY	\$9.99
48000013	750ml	CLEAR/GRAY	\$9.99



POUR FAST EVERCOOL

- Patented, leak proof valve, made by silica gel, no need to close
- Insulated to keep temperature longer
- 100% BPA-Free

Item	Size	Colour
480000030	600ml	CLEAR/BLUE
480000031	600ml	CLEAR/BLACK
480000032	600ml	CLEAR/GRAY

\$14⁹⁹



POUR FAST DUST CAP

- Dust Cap for Pour Fast water bottles
- Keeps dust and contaminants away from opening

Item
480000034

\$0⁹⁹



GO-FLO



Water—even this basic necessity of hydration can be improved with a high-quality bottle. Giant's Go-Flo Water Bottles are BPA and phthalate free, and they look and feel great.

- Polypropylene (PP) bottle is BPA and phthalate free
- 100% recyclable

Item	Size	Colour	Price
971112	21oz	BLACK/ WHITE CUBE	\$3.99
971114	21oz	BLUE/ WHITE "G"	\$3.99
971115	21oz	WHITE/ BLUE "G"	\$3.99
971116	21oz	CLEAR/ BLUE "G"	\$3.99
971117	26oz	BLACK/ WHITE CUBE	\$4.99
971119	26oz	BLUE/ WHITE "G"	\$4.99
971120	26oz	WHITE/ BLUE "G"	\$4.99
971121	26oz	CLEAR/ BLUE "G"	\$4.99



FENDERS



ARC SERIES

- Super lightweight Polycarbonate material
- Easy installation mounts with front or rear quick release
- V-shape drainer design helps remove mud & water efficiently
- Single-arm stay mount for a clean, stylish outlook
- Kit includes one fender only

Item	Type	Size	Price
530000001	PRO	ROAD	\$59.99
530000002	SPORT	LIFESTYLE	\$64.99
530000005	SUSPENSION ADAPTER		\$19.99



SPEEDSHIELD CLIP-ON



- Universal mudguard fits most down tubes
- Lightweight polypropylene material
- Easy tool-free installation
- Universal mount mudguard fits seat posts up to 32.5mm

Item	Type	Price
530000008	FRONT	\$14.99
530000009	REAR	\$14.99



RAPID SERIES

- Designed specifically to fit Rapid and Dash series aluminum bikes
- Foul-weather-friendly, impact-resistant polycarbonate plastic construction
- Durable and lightweight stainless steel brake bridges, stays and hardware
- Adjustable attachment – 15mm vertical & horizontal

Item	Type	Tire Fit	Price
350901	ROAD SET	700x25	\$44.99



SPEEDSHIELD 700C TOUR ALLOY

- Unbreakable all-weather alloy construction
- Quick adjusting stainless steel hardware
- Compatible with 700x35-45 city and trekking tires

Item	Type	Tire Fit	Price
351205	TREKKING SET	700x35-45	\$59.99



SPEEDSHIELD 700C RACE

- Unbreakable all-weather polycarbonate construction
- Quick adjusting stainless steel hardware
- Compatible with 700x20-25 road tires

Item	Type	Tire Fit	Price
351204	ROAD SET	700x20-25	\$39.99



SPEEDSHIELD 700C TOUR

- Unbreakable all-weather polycarbonate construction
- Quick adjusting stainless steel hardware
- Compatible with 700x35-45 city and trekking tires

Item	Type	Tire Fit	Price
351203	TREKKING SET	700x35-45	\$39.99



SPEEDSHIELD 700C RACE CLIP-ON

- Durable, all-weather polypropylene construction
- Smart-Fix quick release attachment system
- Compatible with 700x20-25 road tires

Item	Type	Tire Fit	Price
351201	ROAD SET	700x20-25	\$19.99



SPEEDSHIELD 700C TOUR CLIP-ON

- Durable, all-weather polypropylene construction
- Smart-Fix quick release attachment system
- Compatible with 700x35-45 city and trekking tires

Item	Type	Tire Fit	Price
351200	TREKKING SET	700x35-45	\$19.99



SPEEDSHIELD 26"

- Unbreakable all-weather polycarbonate construction
- Quick adjusting stainless steel hardware
- Compatible with 26" MTB tires

Item	Type	Tire Fit	Price
351202	MTB SET	26"	\$39.99

BELLS



CLASSIC BELL

- UFO style
- Classic giant logo

Item	Colour
580901	BLACK
580902	BLACK/PINK
580903	PINK



\$6⁹⁹ 

SPORT BELLS

- Adjustable quick release strap
- Ideal for MTB handlebars
- Fits 20-32mm handlebars

Item	Clamp	Colour
581000	20.0-32.0mm	MATTE BLACK
581001	20.0-32.0mm	MATTE GREY
581002	20.0-32.0mm	BLUE
581003	20.0-32.0mm	RED



\$8⁹⁹ 

CRUISER BELLS

- 65mm dome
- Available in four fun colours
- Fits 21-26mm handlebars

Item	Clamp	Colour
581004	21.0-26.0mm	PLAID BLACK
581005	21.0-26.0mm	PLAID BLUE
581006	21.0-26.0mm	PLAID PURPLE
581007	21.0-26.0mm	PLAID RED/WHITE/BLUE



\$8⁹⁹ 

RIM TAPE

GIANT RIM TAPE

- Strong nylon reinforced PVC for a secure fit
- Handles high-pressures; does not rot
- 0.5mm thick



Item	Type	Width	Qty	Price
320000000	700c Road	16mm	Box of 2	\$7.99
320000001	700c Touring	18mm	Box of 2	\$7.99
320000009	27.5	24mm	Box of 2	\$7.99
870908	26"	18mm	Box of 2	\$4.99
870909	26"	18mm	10m	\$9.99
870927	700c	16mm	10m	\$9.99



TUBES

*Please place orders in QTY's of 10, 50 or 100

SCHRAEDER*

Item	Size
330000000	12 1/2x1.75-2 1/4 35mm
330000003	16x1.75-2.125 35mm
330000009	20x1.75-2.1 35mm
330000015	24x1.9-2.1 35mm
330000020	26x1.5-1.75 35mm
330000023	26x1.9-2.35 35mm
330000029	26x1.9-2.35 48mm
330000037	26x2.35-2.6 HD 35mm 1.2mm
330000033	26x1.9-2.35 35mm Thorn Resistant
330000035	26x2.35-2.6 DH 35mm 2.25mm
330000038	29x1.9-2.3 35mm
330000048	700x20-25 35mm
330000056	700x28-32 35mm
330000063	700x35-45 35mm

PRESTA*

Item	Size
330000022	26x1.5-1.75 32mm Threaded
330000026	26x1.9-2.35 32mm Threaded
330000030	26x1.9-2.35 32mm Threaded Thorn Resistant
330000034	26x2.35-2.6 DH 48mm Threaded 2.25mm
330000071	27.5x2.1-2.4 48mm
330000039	29x1.9-2.3 48mm Threaded
330000041	650x20-23 48mm Threaded
330000052	700x20-25 32mm Threaded
330000054	700x28-32 32mm Threaded
330000049	700x20-25 48mm Threaded
330000060	700x28-32 48mm Threaded
330000062	700x35-45 32mm
330000042	700x20-25 48mm Smooth Ultra Light 0.6mm
330000046	700x20-25 60mm Smooth Ultra Light
330000072	700x28-32 60mm
330000045	700x20-25 60mm
330000051	700x20-25 80mm Smooth Ultra Light

BULK **Boxes of 50

SCHRAEDER**

Item	Size
330000010	20x1.75-2.1 35mm
330000024	26x1.9-2.35 35mm
330000057	700x28-32 35mm
330000064	700x35-45 35mm



PRESTA**

Item	Size
330000027	26x1.9-2.35 32mm Threaded
330000050	700x20-25 48mm Threaded



RACKS



RACK-IT TOUR

- Light weight construction
- 25kg capacity
- Easy assembly
- International rear light interface
- Klickfix system compatible

Item	Colour	Price
711200	BLACK	\$39.99



RACK-IT BEAM SEATPOST RACK

- Tubular aluminum construction
- Quick adjust sliding cargo tray
- Quick release attachment compatible with 25.4mm-31.6mm seat post

Item	Capacity	Colour	Price
710932	22 lbs	BLACK	\$39.99
710934	22 lbs	SILVER	\$39.99



RACK STRAP

- Black elastic straps for rear racks
- Sold individually

Item	Colour	Length	Price
710618	BLACK	26"	\$5.99



QR SEAT COLLAR W/ RACK MOUNTS

- Integrated rack mount holes
- Aluminum construction
- Ideal for use on Giant Alloy Rack

Item	Type	Size	Price
710603	CLAMP	31.8mm	\$9.99
710605	CLAMP	34.9mm	\$9.99
710614	DISC RACK ADAPTER LONG		\$5.98

KICKSTANDS



ALLOY ADJUSTABLE

- Alloy kickstand w/ 2-point mounting system
- Adjustable to fit a wide range of bikes
- Allows easy removal of rear wheel

Item	Colour	Price
550434	BLACK	\$19.99



ALLOY CENTER-MOUNT

- Alloy kickstand w/ single bolt system
- Allows easy removal of rear wheel

Item	Colour	Price
550801	BLACK	\$9.99



SEEK / ROAM XR

- Alloy kickstand w/ 2-point mounting system
- Adjustable within 24" - 28"
- Mounts to rear dropout

Item	Type	Colour	Price
550970	REAR MOUNT	BLACK	\$18.99

ACCESSORIES



TRAINING WHEELS

Item	Size	Price
910522	16"- 20"	\$15.99



STANDARD LOGO BIKE STAND/29ER STAND

- Rubberized foot pads and prongs to protect floors and your bikes' paint
- Fits any bike with or without disc brakes
- Please order in multiples of 5

Item	Colour	Size	Price
839602	SILVER	24" - 700C	\$34.99
261004	SILVER	29"	\$34.99



FOLDABLE BIKE COVER

- Bag is attached to the cover for easy use
- Made from 100% Polyurethane-coated nylon
- Fits most bicycles

Item	Colour	Price
580500	SILVER/BLUE	\$39.99

WHEEL ACCESSORIES



VALVE EXTENSIONS

Item	Size	Price
330000066	50mm	\$5.99
330000067	40mm TUBELESS	\$5.99
330000068	TUBELESS VALVE (PAIR)	\$9.99



TUBELESS KITS FOR WHEELSYSTEMS

- Includes self-adhesive rim tape (pair)
- Includes tubeless valves
- Off road kit to be used with disc brake only

Item	Size	Rim Width	Price
320000006	ON ROAD WIDE	20-24mm	\$14.99
320000007	ON ROAD NARROW	16-20mm	\$14.99
320000008	OFFROAD	19-25mm	\$5.99

CONVERSION KITS

Item	Size	Price
300000000	135MM TO 142MM	\$44.99
300000001	100/15MM TO 100/9MM	\$39.99

CHAINS



STANDARD CHAIN

- Economical replacement chain for single speed
- Comes w/ master link
- Perfect for coaster style bikes or BMX

Item	Size	Links	Price
270501	1/2" x 1/8"	112	\$9.99



HP 7/8 CHAIN

- Compatible w/ 7 & 8 speed systems
- Durable hardened pins and heat treated chamfered side plates
- Master link included

Item	Size	Links	Price
270203	1/2" x 3/32"	116	\$14.99



PRO 7/8 CHAIN

- Compatible w/ 7 or 8 speed systems
- Durable hardened pins and heat treated chamfered side plates
- Bulls eye riveted for added strength
- Master link included

Item	Size	Links	Price
270603	1/2" x 3/32"	116	\$19.99



POSI-SHIFT 9SPD CHAIN HIGH PERFORMANCE

- 9 speed super narrow 6.6mm chain
- Durable hardened pins and heat treated chamfered side plates
- Stretch proof mushroomed pin
- Master link included

Item	Size	Links	Price
270204	1/2" x 3/32"	116	\$31.99

BRAKE PADS



3C ROAD CALIPER & PADS

- Triple compound pads maximize braking power, reduce noise and shed dirt
- Great braking power in dry and wet condition
- Designed for alloy rims
- Ultra-light 6061 T6 forged holder design
- Compatible with Shimano, SRAM, TRP

Item	Price
290000001 3C Road Caliper	\$19.99
290000002 3C Road Pads	\$5.99



CARTRIDGE ROAD PADS

- High friction compound for improved stopping
- Alloy carrier w/ pad retention bolt
- Set includes mounting hardware

Item	Price
213025	\$18.99/PAIR



CARTRIDGE REPLACEMENT PADS (INSERT)

- Compatible w/ most existing cartridge pads
- High friction compound for improved stopping
- Slotted braking surface for water dissipation

Item	Price
213026	\$4.99/PAIR



3C V-BRAKE CALIPER & PADS

- Triple compound and tread pattern for maximizes braking power, reduces noise and sheds dirt
- Great braking power in dry and wet conditions
- Ultra-light 6061 T6 forged holder design
- Compatible with Shimano, SRAM, TRP

Item	Price
290000005 3C V-brake Caliper	\$19.99
290000006 3C V-brake pads	\$5.99



PERFORMANCE V-BRAKE PAD

- High friction compound for improved stopping
- Set includes mounting hardware
- Compatible w/ all existing V-brake designs

Item	Price
213022	\$12.99/PAIR

CABLES & HOUSING



GALVANIZED SLICK CABLE

- Smooth surface and low friction design
- Pre-stretched for precision braking, cuts down on break-in time

Item	Type	Size	Quantity	Price
210901	MTB BRAKE	1.5x1700mm	100	\$99.99
210921	ROAD BRAKE	1.1x2000mm	100	\$174.99
210903	SHIFT			\$6.99



STAINLESS STEEL SLICK CABLE

- Smooth surface and low friction design
- Pre-stretched for precision braking, cuts down on break-in time
- Permanent rust free performance

Item	Type	Size	Quantity	Price
210902	MTB BRAKE	1.5x1700mm	100	\$174.99
210904	SHIFT			\$159.99



TEFLON STAINLESS STEEL CABLE

- Teflon coated cable, friction free, corrosion resistance
- Pre-stretched for precision braking, cuts down on break in time
- Permanent rust free performance
- Double-ended for use w/ road or mountain

Item	Type	Price
210221	BRAKE	\$8.99
210220	SHIFT	\$8.99



ULTRASLICK SHIFT CABLE KIT

- High performance cable upgrade kit for precision shifting
- Lubricated L3 liner reduces friction and increases modulation
- Includes 1.8 meters of housing, 2 Teflon coated stainless cables, a sealing liner, alloy ferrules and end caps
- Compatible w/ all primary components systems



Item	Type	Price
210800	UNIVERSAL FOR MTB OR ROAD	\$39.99



ULTRASLICK BRAKE CABLE KIT

- Kevlar reinforced compression-free housing for maximum braking performance
- 30% lighter than conventional brake housing
- Lubricated L3 liner reduces friction and increases performance
- Includes 3 meters of housing, 2 Teflon coated stainless cables, a sealing liner, alloy ferrules and end caps
- Compatible w/ all primary components system



Item	Type	Price
210801	MTB	\$34.99
210802	ROAD	\$34.99



ALLOY CABLE ENDS

- The finishing touch to any cut cable

Item	Type	Quantity	Price
210944	BRAKE	500	\$16.99
210943	SHIFT	500	\$16.99



HOUSING FERULES

- Fits all cable housing

Item	Type	Quantity	Size	Price
210940	BRAKE	200	5mm	\$16.99
210701	SHIFT	200	4mm	\$16.99



BRAKE CABLE HOUSING

- Brake Cable Housing
- Low friction polymer liner
- Super durable plastic layer
- Compatible w/ SLR, M system brake housing

Item	Size	Colour	Price
210918	5mm x 50m	Black	\$41.99

SHIFT CABLE HOUSING

- Low friction polymer liner aids in shifting performance
- Compressionless housing

Item	Size	Colour	Price
210916	4mm x 50m	Black	\$99.99

LUBRICANT



AGENT ORANGE™ CITRUS DEGREASER

- Powerful citrus based degreaser and cleaner
- Fast foaming action peels away grime
- Biodegradable and non-toxic

Item	Size	Applicator	Price
610607	14oz	AEROSOL	\$11.99



DRY SILK™ TEFLON+ LUBE

- High performance DuPont Teflon based spray lube
- Holds up to extreme pressures and resists water wash-off
- Works on derailleurs, clipless pedals and more

Item	Size	Applicator	Price
610601	10.5oz	AEROSOL	\$13.99



LIQUID SILK™ LUBE

- Petroleum based light spray lube
- Foaming chain lube for longest and strongest protection
- Durable wet weather performance, muddy off-road condition and long rainy commutes

Item	Size	Applicator	Price
610602	11oz	AEROSOL	\$9.99



LIQUID SILK™ SILICON LUBE

- Specially formulated for use on indoor cycling equipment
- Won't attract dust & dirt
- Use on cables, pulleys, slides, plastic or rubber parts
- Works on treadmills too

Item	Size	Applicator	Price
610604	11oz	AEROSOL	\$13.99



FRESH SPEED™ CITRUS CHAIN WAX

- Citrus-paraffin formula dries to a dirt and friction busting film
- Great performance in wet and dry weather conditions
- Works on cables, spoke nipples and derailleurs

Item	Size	Applicator	Price
610603	11oz	AEROSOL	\$11.99



TOOLS



TOOL SHED HD1 MULTI-TOOL

With the right tool you can take care of any situation. Giant's all-new Tool Shed HD1 multi-tool is your solution; your trusted companion no matter where the path leads.

- 17 function folding multi-tool
- Fixed 180° open position
- 2, 2.5, 3, 4, 5, 6, 8mm hex wrenches; #2 Phillips & flat screwdrivers; T25 & T30 Torx wrenches, chain tool, tire lever, three standard spoke wrenches, T30 Mavic spoke wrench

Item	Price
951102	\$39.99



TOOL SHED HD2 MULTI-TOOL

- 8 function folding multi-tool
- Fixed 180° open position
- 2, 2.5, 3, 4, 5, 6, 8mm hex wrenches; #2 Phillips & flat screwdrivers

Item	Price
951103	\$22.99



LOGO'D FOLDING TOOL

- Includes 2, 4, 5, 6mm Hex keys along with Phillips and flat head screwdrivers

Item	Price
950836	\$14.99



TOOLSHED CHAIN TOOL

- Fit 8-11 speed
- One piece die-casting
- Double-sided replacement pins
- Integrated bottle cap opener

Item	Price
60000000	\$29.99



CHAIN TOOL

- Chrome plated chain tool
- Compatible w/ HG, IG and UG chains
- Extra long knurled handle for good leverage
- Adjustable backing support braces the back plate of the chain
- Replaceable driver pin

Item	Price
950831	\$12.99



CARBON SEATPOST REPAIR-STAND CLAMP ADAPTER

- Protects composite frames & seatpost from repair stand clamps
- Fits all Giant designs including TCR ISP, Vector, Aero, 27.2mm and 30.9mm
- Tool-free use

Item	Price
950839	\$35.99



TORQKEY

- Designed to offer convenient precision torque settings for high end components
- Available in 4Nm and includes 3, 4, and 5mm interchangeable hex bits

Item	Size	Price
950844	4Nm 3, 4, 5mm hex bits	\$15.99
950845	6mm	\$15.99



Y-SOCKET WRENCH

- Made of hardened tool steel
- Durable chrome finish
- Incorporates 8, 9 and 10mm sizes
- Comfortable molded rubber handle

Item	Size	Price
950804	8, 9, 10mm	\$9.99



Y-ALLEN WRENCH

- Made of hardened tool steel
- Durable chrome finish
- Incorporates 4, 5 and 6mm Allen head sizes
- Comfortable molded rubber handle

Item	Size	Price
950827	4, 5, 6mm	\$9.99



O TYPE SPOKE WRENCH

- Hardened tool steel
- Chrome plated
- Fits 10, 11, 12, 13, 14, and 15 spoke nipples
- Knurled outside edge provides sure grip

Item	Price
950829	\$7.99



TIRE LEVERS

- Compact, durable nylon construction
- Set clips together for convenient storage

Item	Quantity	Price
950828	Set of 3	\$7.99

Liv

GEAR

Liv gear is tailored to meet a woman's needs. From beautiful apparel to women's specific saddles, Liv gear helps you make the most of your riding experience.



ELEVATE
YOUR RIDE.



RIDER GEAR

Gear for me.



BIKE GEAR

Gear for my bike.



HELMET TECHNOLOGY

FROM COMPETITION TO COMMUTING, ON-ROAD OR OFF-ROAD, YOUR HELMET IS YOUR MOST IMPORTANT ACCESSORY.

Liv's new lineup of helmets, including the high-performance Rev road helmet, features the cutting-edge technologies below to keep you cool, comfortable and secure on your rides.



Liv
REV

PERFORMANCE, COMFORT, AND GREAT LOOKS.

The new Rev helmet from Liv gives women riders superior technologies and lightweight design, all in a style you can call your own. With several colors to choose from, it's your most vital gear choice for quick spins or all-day road rides.

FEATURES

1 INTERNAL STRUCTURAL SHELL

A continuous internal polycarbonate shell fuses the helmet structure together. The result is increased overall strength and toughness, and reduced overall weight.

2 IN-MOLD MICROSHELL/EPS CONSTRUCTION

The most advanced construction process is used to ensure consistent, seamless materials throughout the helmet for optimal protection and a flawless look. The In-mold microshell provides all-in-one construction for maximum structural integrity.

3 TRANSTEXTURA™ PLUS PADDING

These highly advanced natural fabrics fight bacteria growth by pulling sweat from the rider's head and transferring it through exhaust ports in the 21-vent design. The natural property of the fabric inhibits microbes that cause odors.

4 CINCH+™ FIT SYSTEM

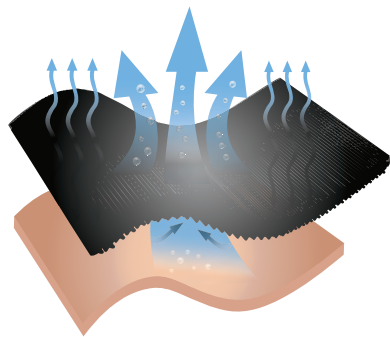
The perfect blend of safety and comfort. Cinch+ offers optimal coverage by cradling the occipital bone for full protection, support and comfort. Large scoop-like paddles protrude outward to cradle the cranium.

5 LITEFORM™ STRAP WEBBING

Using a special blend of thin, lightweight and tough woven material creates uncompromising strength and toughness, and reduced overall weight.

FABRIC TECHNOLOGY

Comfort and moisture management are the primary goals of any performance sport fabric. In cooler conditions, wet heat conduction robs the body of heat, leaving the wearer uncomfortable. Conversely, on a hot day the same moisture is a barrier to heat release, which can lead to overheating. The fabric technologies in Liv apparel are designed to regulate temperature and keep you comfortable in all types of conditions.



TransTextura™

TransTextura™

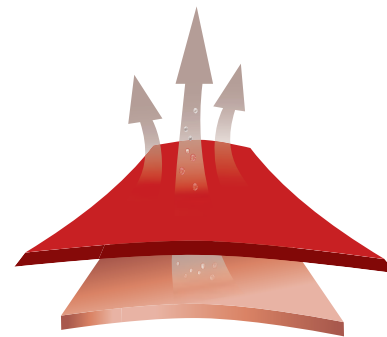
Designed with denier gradient transfer technology, which uses larger diameter fibers next to the skin to pull moisture to the outer surface for evaporation and quick drying.



ProTextura™

ProTextura™

Wind protection and durable water-repellent finishes and laminations are engineered to overcome wind, wet and rainy conditions. Features breathability to help your body regulate temperature.



ThermTextura™

ThermTextura™

Builds on TransTextura™ with fleece on the backside of the fabric to add insulating air and protect you from the elements.

LIV APPAREL FIT SYSTEM

These options help you choose the best clothing for your riding style and fit preferences.



RACE FIT

RACE FIT

This form-fitting cut is ideal for race conditions and professional level cycling. The tight fit reduces wind resistance, while the functional high-tech fabric is suitable for all-condition riding.



CLUB FIT

CLUB FIT

This fit is not too loose or too tight, providing a comfortable and performance-minded apparel option. The female-specific cut is paired with breathable and flexible fabrics, helping you perform at your best.



RELAXED FIT

RELAXED FIT

This fit collection combines looser fitting, stylish looks with comfortable, high-wicking fabrics that you can wear on and off the bike.

CHAMOIS TECHNOLOGY

Liv women's-specific chamois technologies offer multiple levels of comfort and protection using high-density, multi-thickness foam for optimal weight distribution on the saddle and maximum comfort for all levels of riders. A breathable antibacterial top layer minimizes chafing, absorbs moisture, and fights odor and bacteria.

ProComfor™

SportComfor™

CoreComfor™

RACE DAY series



Liv ProComfor™ women's specific chamois provides triple density protection and the TransTextura Plus™ fabric provides antimicrobial functionality. The all-way stretch fabric reduces chafing, and the high density foams concentrated in the major anatomical pressure points provide incredible comfort and a great fit for challenging rides.

SIGNATURE series



Liv ProComfor™ chamois is proven and tested by pros. A special TransTextura Plus™ microfiber fabric guarantees adequate moisture control and hygiene. The width and length of the chamois is precisely measured and strategically positioned. Flat seams with a stretch thread allow the chamois to move with the movements of the body and prevent friction, overheating and chafing.

FISSO & CADENCE series

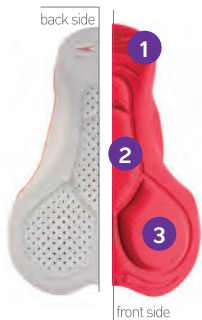


Liv SportComfor™ chamois has been specifically designed for the female anatomy. It combines extreme lightness with high density protective foams located in the pressure points. Soft wings offer maximum comfort and freedom of movement.

MOSSA series



Liv CoreComfor™ chamois is a dual density women's specific chamois that was developed to provide freedom of movement, good protection, and superior comfort.



1. TransTextura Plus™ fabric—Bacteriostatic, great breathability, excellent sweat absorption
2. Specially designed perineal area without bulkiness
3. Triple density and three dimensional shape



1. TransTextura Plus™ fabric—Bacteriostatic, great breathability, excellent sweat absorption
2. Wide central perineal area specially shaped for women's anatomy
3. Super air base layer for maximum ventilation



1. TransTextura Plus™ fabric—Bacteriostatic, great breathability, excellent sweat absorption
2. Specially designed perineal area without bulkiness
3. High density foam for ischiatic protection



1. TransTextura™ fabric
2. Specially designed perineal area without bulkiness
3. Multi-thickness foam shape

LIV RIDER APPAREL



LIV RACE DAY SS JERSEY NEW

- Liv RACE FIT
- TransTextura™ fabric wicks moisture and dries quickly
- High-visibility reflective accents
- Full height collar
- 3 rear pockets
- Elastic waist

Item	Size
850001216	XS
850001217	S
850001218	M
850001219	L
850001220	XL

Colour:
WHITE/BLACK



\$129⁹⁹



LIV RACE DAY LS JERSEY NEW

- Liv RACE FIT
- ThermTextura™ fabric
- High-visibility reflective accents

Item	Size
850001226	XS
850001227	S
850001228	M
850001229	L
850001230	XL

Colour:
WHITE/BLACK



\$159⁹⁹



LIV RACE DAY BIB SHORT NEW

- Liv RACE FIT
- ProComfor™ women's-specific chamois
- Sublimated silicon gripper hem
- Excellent structure recovering fabric

Item	Size
860000377	XS
860000378	S
860000379	M
860000380	L
860000381	XL

Colour:
BLACK



\$159⁹⁹



LIV SIGNATURE SS JERSEY NEW

- Liv Race Fit
- Full length front zipper
- 3 rear pockets
- Non-restrictive collar
- Sublimated graphics
- TransTextura™ fabric wicks moisture and dries quickly
- High-visibility reflective accents

Item	Size
850001254	XS
850001255	S
850001256	M
850001257	L
850001258	XL

Colour:
WHITE



\$169⁹⁹



LIV SIGNATURE SHORTS NEW

- Liv Race Fit
- Strategically-placed flatlock seams for comfort
- Sublimated graphics
- ProComfor™ women's specific chamois

Item	Size
860000409	XS
860000410	S
860000411	M
860000412	L
860000413	XL

Colour:
BLACK/WHITE



\$219⁹⁹



LIV ROSA SS JERSEY

- Quick-drying, moisture-wicking TransTextura fabric
- Full-length reflective front zipper
- 3 back pockets
- Flatlock seams, non-restrictive collar
- Race fit

Item	Size
850000510	XS
850000511	S
850000512	M
850000513	L
850000514	XL

Colour:
BLACK/WHITE



\$99⁹⁹



LIV ACCELERATE SS JERSEY

- Liv CLUB FIT
- TransTextura™ moisture-wicking, quick-drying fabric
- Flatlock seams, non-restrictive collar

Item	Size
850001096	XS
850001097	S
850001098	M
850001099	L
850001100	XL

Colour:
CORAL/CHARCOAL



\$89⁹⁹



LIV AQUA SS JERSEY

- Liv CLUB FIT
- TransTextura™ moisture-wicking, quick-drying fabric
- Flatlock seams, non-restrictive collar

Item	Size
850001086	XS
850001087	S
850001088	M
850001089	L
850001090	XL

Colour:
AQUA/BLUE



\$89⁹⁹



LIV FELIZ SS LONGTOP JERSEY

- Liv Club Fit
- Front zipper
- 3 back pockets
- Long hem, which can be worn as dress
- Side ties can turn Feliz into stylish long jersey
- Flatlock seams
- Quick-drying, moisture-wicking
- TransTextura™ fabric

Item	Size
850001201	XS
850001202	S
850001203	M
850001204	L
850001205	XL

Colour:
CHARCOAL/CORAL



\$84⁹⁹



LIV RADIANT LS JERSEY

- Liv Relaxed Fit
- Full length front zipper
- 3 back pockets
- Non-restrictive collar
- Sublimated graphics
- ThermTextura™ fabric

Item	Size
850001196	XS
850001197	S
850001198	M
850001199	L
850001200	XL

Colour:
BLACK/WHITE



\$99⁹⁹



LIV CADENCE SHORTS

- Liv Race Fit
- Strategically-placed flatlock seams for comfort
- Colored waistband and cuffs
- Crossover waistband for increased comfort
- SportComfor™ women's specific chamois

Item	Size
860000362	XS
860000363	S
860000364	M
860000365	L
860000366	XL

Colour:
BLACK/AQUA



\$89⁹⁹



LIV CADENCE KNICKERS

- Liv Race Fit
- Strategically-placed flatlock seams for comfort
- Colored waistband and cuffs
- Crossover waistband for increased comfort
- SportComfor™ women's specific chamois

Item	Size
860000367	XS
860000368	S
860000369	M
860000370	L
860000371	XL

Colour:
BLACK/PURPLE



\$99⁹⁹



LIV FISSO SHORT

- Quick-drying, moisture-wicking TransTextura Plus fabric
- SportComfor women's-specific chamois
- Strategically-placed flatlock seams for comfort
- Crossover waistband for increased comfort



Item	Size
860000279	XS
860000280	S
860000281	M
860000282	L
860000283	XL



\$79⁹⁹

LIV FISSO TIGHT

- TransTextura moisture-wicking, quick-drying fabric
- SportComfor women's-specific chamois
- Crossover waistband for increased comfort
- Flatlock seams



Item	Size
860000289	XS
860000290	S
860000291	M
860000292	L
860000293	XL



\$99⁹⁹

LIV FISSO KNICKER

- TransTextura moisture-wicking, quick-drying fabric
- SportComfor women's-specific chamois
- Crossover waistband for increased comfort
- Flatlock seams



Item	Size
860000284	XS
860000285	S
860000286	M
860000287	L
860000288	XL



\$89⁹⁹

LIV VENTO SS JERSEY



- Liv Club Fit
- 1/2-length zipper
- 3 back pockets
- Flatlock seams, non-restrictive collar
- Quick-drying, moisture-wicking TransTextura™ fabric



Item	Size
850000976	XS
850000977	S
850000978	M
850000979	L
850000980	XL

Colour:
AQUA/BLUE



\$69⁹⁹

LIV FORMA SS



- Liv/giant CLUB FIT
- TransTextura™ fabric wicks moisture and dries quickly
- High-visibility reflective accents
- 1/2-length zipper
- Unrestrictive collar
- 3 pockets



Item	Size
850000789	XS
850000790	S
850000791	M
850000792	L
850000793	XL

Colour:
CHARCOAL



\$69⁹⁹

LIV PASSION SS JERSEY



- Liv RELAXED FIT
- TransTextura™ moisture-wicking, quick-drying fabric
- Flatlock seams, non-restrictive collar



Item	Size
850001031	XS
850001032	S
850001033	M
850001034	L
850001035	XL

Colour:
CHARCOAL/CORAL



\$59⁹⁹

LIV MOSSA SHORT

- TransTextura moisture-wicking, quick-drying fabric
- CoreComfor women's-specific chamois
- Self-fabric cuffs
- Flatlock seams

Item	Size	Colour
860000213	XS	BLACK/WHITE
860000214	S	BLACK/WHITE
860000215	M	BLACK/WHITE
860000216	L	BLACK/WHITE
860000217	XL	BLACK/WHITE
860000264	XS	BLACK
860000265	S	BLACK
860000266	M	BLACK
860000267	L	BLACK
860000268	XL	BLACK



\$59⁹⁹

LIV CHARM SS JERSEY

- Liv RELAXED FIT
- TransTextura™ moisture-wicking, quick-drying fabric
- Stylish enough to wear on or off of the bike

Item	Size	Colour
850001136	XS	CHARCOAL/CORAL
850001137	S	CHARCOAL/CORAL
850001138	M	CHARCOAL/CORAL
850001139	L	CHARCOAL/CORAL
850001140	XL	CHARCOAL/CORAL
850001151	XS	BLACK/WHITE
850001152	S	BLACK/WHITE
850001153	M	BLACK/WHITE
850001154	L	BLACK/WHITE
850001155	XL	BLACK/WHITE



\$89⁹⁹

LIV PASSO BAGGY SHORT

- Removable chamois liner short
- Ideal for off-road riding
- Durable stretch fabric, multiple pockets
- 12" inseam
- Belt loops and adjustable waist band

Item	Size	Colour
860000299	XS	GRAY
860000300	S	GRAY
860000301	M	GRAY
860000302	L	GRAY
860000303	XL	GRAY
860000309	XS	BLACK
860000310	S	BLACK
860000311	M	BLACK
860000312	L	BLACK
860000313	XL	BLACK



\$99⁹⁹

LIV RACE DAY WINDBREAKER VEST

- Liv Race Fit
- Sublimated patterns
- Full-length front zipper
- High-visibility reflective accents
- Venting stretch mesh panels
- Lightweight
- Windproof ProTextura™ fabric

Item	Size
850001221	XS
850001222	S
850001223	M
850001224	L
850001225	XL

Colour:
WHITE/BLACK



\$109⁹⁹

LIV SIGNATURE RAIN JACKET

- Liv Race Fit
- ProTextura™ fabric has a high waterproof rating of 10,000mm, and equally breathable
- Venting stretch mesh panels
- Full-length front zipper
- Reflective highlights
- Unique sublimated patterns

Item	Size
850001264	XS
850001265	S
850001266	M
850001267	L
850001268	XL

Colour:
BLACK/GRAY



\$249⁹⁹

LIV WINDBREAKER JACKET

- ProTextura windproof fabric
- Liv/giant Club fit
- Reflective accents
- Zip rear pocket access

Item	Size
850000714	XS
850000715	S
850000716	M
850000717	L
850000718	XL

Colour:
AQUA



\$99⁹⁹

LIV TEAM TRACK JACKET

- TransTextura fabric™ for all day comfort
- UPF 30 sun protection
- Liv Corporate branding



Item	Size
880000230	S
880000231	M
880000232	L

Colour:
BLACK



\$74⁹⁹

LIV TEAM DRESS SHIRT

- TransTextura fabric™ for all day comfort
- Liv Corporate branding
- UPF 30 sun protection



Item	Size
880000218	S
880000219	M
880000220	L

Colour:
BLACK



\$64⁹⁹

LIV TEAM HOODIE

- TransTextura fabric™ for all day comfort
- Liv Corporate branding
- UPF 30 sun protection



Item	Size
880000224	S
880000225	M
880000226	L



Colour:
MELANGE

\$114⁹⁹

LIV ACCESSORIES



LIV BOLERO

- TransTextura Plus™ moisture-wicking, quick-drying fabric
- UPF 50 sun protection
- Mesh panels for venting



Item	Size	Colour
820000084	S	WHITE
820000085	M	WHITE
820000086	L	WHITE
820000087	S	BLACK
820000088	M	BLACK
820000089	L	BLACK



\$29⁹⁹

LIV BASELAYER

- Liv RACE FIT
- TransTextura Plus™ fabric quickly wicks moisture and eliminates odor causing bacteria
- Drop tail cycling specific construction



Item	Style	Colour	Price	Size
840000087	S/S	GRAY	\$44.99	XS
840000088	S/S	GRAY	\$44.99	S
840000089	S/S	GRAY	\$44.99	M
840000090	S/S	GRAY	\$44.99	L
840000107	S/L	GRAY	\$39.99	XS
840000108	S/L	GRAY	\$39.99	S
840000109	S/L	GRAY	\$39.99	M
840000110	S/L	GRAY	\$39.99	L



LIV THERMAL ARM WARMER

- Liv RACE FIT
- Flatlock seams
- High-visibility reflective accents
- ThermTextura™ fabric"

Item	Size	Colour
820000281	S	BLACK
820000282	M	BLACK
820000283	L	BLACK

Colour:
BLACK



\$34⁹⁹

LIV MIDTHERMAL KNEE WARMER

- Liv RACE FIT
- Flatlock seams
- High-visibility reflective accents
- ThermTextura™ fabric"

Item	Size	Colour
820000284	S	BLACK
820000285	M	BLACK
820000286	L	BLACK

Colour:
BLACK



\$39⁹⁹

LIV TEAM CAP

- Classic 6-panel structure with vents
- Adjustable fit



Item	Size	Colour	Price
820000287	OSFM	WHITE	\$19⁹⁹

LIV TRANSTEXTURA CYCLING CAP

- TransTextura™ sweatband absorbs excess moisture
- Lightweight mesh fabric fits easily under helmet



Item	Size	Colour	Price
820000292	OSFM	WHITE	\$19⁹⁹

LIV RACE DAY SOCK

- Ultra-thin single-ply construction
- Excellent ventilation and moisture transfer properties
- Ultra high gauge 200-needle count
- Left & right anatomical structure



Item	Size	Colour	Price
820000358	XS/S	BLACK	\$14⁹⁹
820000359	M/L	BLACK	

LIV SHORT 'N' SWEET SOCK

- TransTextura™ moisture transfer-technology
- Comfortable for cycling and everyday use
- Very thin and fine smooth touch



Item	Size	Colour	Price
820000344	XS/S	BLACK	\$5⁹⁹
820000345	M/L	BLACK	
820000346	XS/S	WHITE	
820000347	M/L	WHITE	

LIV SWEET SOCK

- TransTextura™ moisture transfer technology
- Comfortable for cycling and everyday use
- Very thin and fine smooth touch



Item	Size	Colour
820000348	XS/S	BLACK
820000349	M/L	BLACK

\$7⁹⁹

LIV LUX MERINO QUARTER SOCK

- Genuine Merino wool insulates, ventilates and wicks moisture
- Arch band compresses and stabilizes
- Ergo cushioning



Item	Size	Colour
820000368	XS/S	BLACK
820000369	M/L	BLACK

\$16⁹⁹

LIV SERENE COMPRESSION

- TransTextura™ moisture transfer technology
- Left and Right specific fit
- Compression varies from 15mm at arch to 12mm at top



Item	Size	Colour
820000374	S	BLACK /PURPLE
820000375	M	BLACK /PURPLE
820000376	L	BLACK /PURPLE

\$19⁹⁹

LIV GLOVES



LIV RACE DAY GLOVE

- Longer wrist closure uses elastic instead of Velcro for a secure fit
- Pre-curved thumb construction for ideal fit and mobility
- TransTextura™ fabric

Item	Size	Colour
830000431	S	BLACK STRIPE
830000432	M	BLACK STRIPE
830000433	L	BLACK STRIPE
830000393	S	WHITE STRIPE
830000394	M	WHITE STRIPE
830000395	L	WHITE STRIPE

\$29⁹⁹



LIV SIGNATURE



- Elastic wrist cuff
- Pre-curved thumb construction for ideal fit and mobility
- Tip Tech™ smart phone operable finger tip

Item	Size	Colour	Type	Price
830000396	S	CORAL	LONG	\$39.99
830000397	M	CORAL	LONG	\$39.99
830000398	L	CORAL	LONG	\$39.99
830000399	S	BLUE	LONG	\$39.99
830000400	M	BLUE	LONG	\$39.99
830000401	L	BLUE	LONG	\$39.99
830000402	S	PURPLE	LONG	\$39.99
830000403	M	PURPLE	LONG	\$39.99
830000404	L	PURPLE	LONG	\$39.99
830000405	S	CORAL	SHORT	\$34.99
830000406	M	CORAL	SHORT	\$34.99
830000407	L	CORAL	SHORT	\$34.99
830000408	S	BLUE	SHORT	\$34.99
830000409	M	BLUE	SHORT	\$34.99
830000410	L	BLUE	SHORT	\$34.99
830000411	S	PURPLE	SHORT	\$34.99
830000412	M	PURPLE	SHORT	\$34.99
830000413	L	PURPLE	SHORT	\$34.99



LIV PASSION

- TransTextura™ fabric
- Plush Gel™ multi-thickness foam absorbs road vibrations
- Pre-curved thumb construction for ideal fit and mobility
- Tip Tech™ smart phone operable finger tips

Item	Size	Colour	Type	Price
830000381	S	CORAL	LONG	\$29.99
830000382	M	CORAL	LONG	\$29.99
830000383	L	CORAL	LONG	\$29.99
830000414	S	BLACK	LONG	\$29.99
830000415	M	BLACK	LONG	\$29.99
830000416	L	BLACK	LONG	\$29.99
830000384	S	BLACK	SHORT	\$24.99
830000385	M	BLACK	SHORT	\$24.99
830000386	L	BLACK	SHORT	\$24.99



LIV ALLURE

- TransTextura™ fabric
- Pre-curved thumb construction for ideal fit and mobility
- Tip Tech™ smart phone operable finger tips

Item	Size	Type	Colour:
830000434	S	LONG	BLACK
830000435	M	LONG	
830000436	L	LONG	

\$34⁹⁹



LIV HEARTY



- ThermTextura™ fabric
- High visibility reflective accents
- Tip Tech™ smart phone operable finger tips

Item	Size
830000443	S
830000444	M
830000445	L

\$44⁹⁹



LIV HELMETS



LIV REV P

- LiteForm™ webbing for comfort and performance
- Internal Structural Shell (ISS) for strength at reduced weight
- Giant CINCH+™ fit system for simple and easy head-hugging comfort
- 21 vent configuration for optimal airflow and top-of-the-head ventilation
- Proprietary TransTextura Plus™ anti-microbial fast wicking pad technology



\$159⁹⁹

Item	Size	Colour
800000147	S	RAPID TURQUOISE
800000148	M	RAPID TURQUOISE
800000149	L	RAPID TURQUOISE
800000150	S	WHITE
800000151	M	WHITE
800000152	L	WHITE

LIV STREAK S

- Giant CINCH+™ fit system for simple and easy head-hugging comfort
- 19 vent configuration for optimal airflow and top-of-the-head ventilation
- Proprietary TransTextura Plus™ anti-microbial fast wicking pad technology
- Removable Streak visor
- Locking Giant cam-buckles



\$99⁹⁹

Item	Size	Colour
800000126	S	TECH BLACK/PURPLE
800000127	M	TECH BLACK/PURPLE
800000128	L	TECH BLACK/PURPLE
800000129	S	TECH WHITE/TURQUOISE
800000130	M	TECH WHITE/TURQUOISE
800000131	L	TECH WHITE/TURQUOISE

LIV HALO S

- Giant Cinch 5™ Full-Ring fit system for simple and easy adjustability
- 27 vents for optimal airflow and cooling
- In-mold EPS construction with nylon reinforcement
- Removable visor, making it adaptable to all daily riding conditions.
- Locking Giant cam-buckles



\$79⁹⁹

Item	Size	Colour
800000109	OSFM	TURQUOISE
800000110	OSFM	BLUE

LIV PASSION C S

- Giant Cinch 5™ Full-Ring fit system with LED for simple and easy adjustability
- 18 vent configuration for optimal airflow and cooling
- In-mold EPS with reinforced internal nylon strengthening
- Visor included
- Locking Giant cam-buckles



\$44⁹⁹

Item	Size	Colour
800000102	OSFM	BLUE
800000103	OSFM	ORANGE

LIV ALLURE S

- Giant Cinch 5™ Full-Ring fit system for simple and easy adjustability
- 18 vents for optimal airflow and cooling
- In-mold EPS with internal nylon strengthening and under-wrap shell protection, for increased durability and longevity
- 3-point, 12-degree adjustable visor
- Locking Giant cam-buckles



\$59⁹⁹

Item	Size	Colour
800000157	OSFM	TURQUOISE
800000158	OSFM	PURPLE





*Elevate
your ride.*



LN



LIV SADDLES



LIV CONTACT



- Women's Dynamic Design for forward or upright riding positions
- Durable synthetic leather cover
- Particle Flow Technology
- 325g

Item	Position	Colour	Weight
120000040	FORWARD	BLACK/GRAY	325g
120000042	UPRIGHT	BLACK/PURPLE	325g



\$44⁹⁹

LIV CONNECT



- Women's Dynamic Design for forward or upright riding positions
- Durable synthetic leather cover
- Particle Flow Technology
- 325g

Item	Position	Colour	Weight
120000045	FORWARD	WHITE/PURPLE	325g
120000046	UPRIGHT	BLACK/GRAY	325g



\$34⁹⁹

LIV FLOW 2 WOMEN'S SADDLE

- Seamless all-weather top
- Lightweight chromoly rails
- Lightweight foam padding
- ZONE Plus multi-density pressure relief

Item	Colour
771103	BLACK



\$29⁹⁹

LIV CONTACT COMFORT+



- Pressure relief D2 base
- Lightweight water resistant seamless synthetic cover
- Center Zone cut
- Tough, durable Chromoly rails

Item
120000036



\$39⁹⁹

LIV CONNECT COMFORT+

- Lightweight water resistant seamless synthetic cover
- Center Zone cut
- Steel rails

Item
120000038



\$29⁹⁹

LIV GRIPS



LIV SOLE-O MTB GRIP

- Made from soft and durable Kraton rubber
- Custom waved raised surface
- Double-sided lock on

Item	Colour
190000061	BLACK
190000063	PURPLE



\$24⁹⁹



LIV SILICON GRIP

- Non-slip surface for maximum control
- Super light weight
- Anti-vibration silicon foam absorbs shock and increases comfort

Item	Colour
190000055	BLACK
190000056	GRAY



\$14⁹⁹

LIV HANDLEBAR TAPE



LIV CONTACT SLR

- Washable surface
- Integrated EVA absorbs shock and increases comfort
- Durable all condition perforated surface for ventilation
- Includes Giant logo end plugs and Liv/giant finishing tape

Item	Material	Colour
190000043	SYNTHETIC	BLACK/LIGHT BLUE
190000044	SYNTHETIC	WHITE/PINK
190000045	SYNTHETIC	WHITE/APPLE GREEN



\$24⁹⁹

LIV CONTACT GEL

- Embossed Liv/giant logo
- Non slip suede surface
- Anti vibration Gel absorbs shock for increased comfort
- Includes Giant logo end plugs and Liv/giant finishing tape

Item	Material	Colour
190000041	GEL	PINK
190000042	GEL	AQUA



\$19⁹⁹

LIV COMPUTERS



CATENA 9W NEW

Easy to install, easy to use, and available in three trendy colours to match any Liv Bicycle—the Continuum 9 is the perfect computer for your fashion conscious customers who know quality and expect performance.

- 9 function wireless computer: Speed, distance, ride time, average speed, max speed, alarm, odometer, calorie, clock
- Large, easy-to-read display
- Low battery indicator
- Back light

Item	Colour
410000058	WHITE
410000060	BLUE
410000061	PINK

\$39⁹⁹



LIV LIGHTS



LIV NYX CLICK+ HL NEW

- 1 Super bright White LED
- Modes: Steady (3hrs)/ Flash (50hrs)
- Li-ion rechargeable battery via Micro USB
- 40 Lumens
- User friendly rubber strap mounting design

Item	Colour
400000084	BLACK
400000087	PURPLE
400000086	BLUE



\$39⁹⁹

LIV NYX CLICK+ TL NEW

- 1 Super bright Red LED
- Modes: Steady (3hrs)/ Flash (50hrs)
- Li-ion rechargeable battery via Micro USB
- 15 Lumens
- User friendly rubber strap mounting design

Item	Colour
400000088	BLACK
400000090	BLUE
400000091	PURPLE



\$39⁹⁹

LIV NYX HL3 NEW

- 3 Super bright White LEDs
- Modes: High/ Mid/ Flash
- Replaceable color top case
- User friendly easy attachment by rubber strap

Item	Colour
400000104	BLACK
400000105	WHITE



\$19⁹⁹

LIV NYX TL3 NEW

- 5 Super bright red LEDs
- Tool-free installation
- Horizontal or vertical position

Item
400000106



\$14⁹⁹

NYX/NYX+ RUBBER STRAP

- Rubber strap for attachment to bicycle

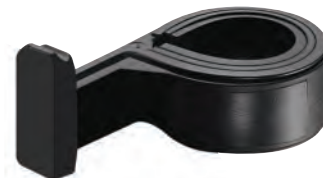
Item	Colour
400000092	HEADLIGHT
400000093	TAILLIGHT



\$4⁹⁹

MOUNT FOR NYX TL3

Item
400000109



\$4⁹⁹

LIV BAGS



LIV SADDLE BAG NEW

- Innovative silicone straps
- Carbon fiber film overlay for enhanced appearance and durability
- Stretch woven multi-tool pocket with hook and loop closure

Item
430000039



\$19⁹⁹



LIV QUICK FIX COMBO KIT

- Everything you need for a quick fix:*
- 12 glueless patches
 - 3 tire levers
 - 9-function multi-tool
 - Seat bag
 - 2 CO² cartridges w/Head

Item
610000051



\$49⁹⁹



LIV PUMPS



LIV CONTROL MINI ROAD+

- Lightweight and compact aluminum design
- 18.5mm wide air chamber, delivering Hi-Pressure
- Expandable internal hose with threadable valve for easy pumping

Item
610000047



\$34⁹⁹



LIV CONTROL TOWER 2

- Durable brushed Aluminum barrel finish
- Dual valve head, requires no valve head adjustment
- Grip tape base increases stability

Item
610000048



\$44⁹⁹



LIV LOCKS



LIV LECCA CABLE NEW

- Flexible vinyl coated steel cable protects your bicycle's paint
- 2 color options

Item	Colour
520000048	PURPLE
520000050	GREEN

\$19⁹⁹



LIV WATER BOTTLE CAGES



LIV AIRWAY CAGE

- Light weight 3K carbon fiber
- 45-degree removal/insertion (right hand)
- Suitable for smaller frames



Item
490000060

\$59⁹⁹



LIV PROWAY CAGE

- High flex plastic material
- Open construction is suitable for a wide variety of bottles



Item	Colour
490000064	BLACK/PURPLE
490000065	WHITE/PINK



\$19⁹⁹



LIV PROWAY SIDE PULL

- High flex plastic material
- 45-degree removal/insertion (right hand)
- Suitable for smaller frames



Item	Colour
490000066	BLACK/PURPLE
490000067	WHITE/PINK

\$19⁹⁹



LIV GATEWAY CAGE

- Tough, but still flexible alloy cages
- 47g



Item
490000062

\$6⁹⁹

LIV WATER BOTTLES



LIV POUR FAST AUTOSPRING

- Self-sealing silicon valve system
- Dual density wall
- Tapered design
- 100% BPA free tasteless material

Item	Size	Colour	Price
480000014	600ml	PURPLE/BLUE	\$8.99
480000016	600ml	BLUE/ORANGE	\$8.99
480000015	750ml	PURPLE/BLUE	\$9.99
480000017	750ml	BLUE/ORANGE	\$9.99



LIV POUR FAST EVERCOOL

- Patented, leak proof valve, made by silica gel, no need to close
- Insulated to keep temperature longer
- 100% BPA-Free

Item	Size	Colour	Price
480000033	600ml	CLEAR/LIGHT BLUE	\$14.99



LIV GOFLO

- Stylish water bottle offered in two sizes and many color options

Item	Size	Colour	Price
480000003	600cc	TRANSPARENT/BLUE	\$3.99
480000004	600cc	TRANSPARENT/PINK	\$3.99
480000005	600cc	BLACK/MAGENTA	\$3.99
480000000	750cc	TRANSPARENT/SILVER	\$4.99
480000001	750cc	TRANSPARENT/PURPLE	\$4.99
480000002	750cc	BLACK/RED	\$4.99







FRAMESETS



PROPEL ADVANCED SL ISP

COLOUR: Matte Composite/Gloss Grey/Red
 FRAME:

- Advanced SL-Grade Composite
- Integrated Seatpost
- Electronic-Ready

 FORK:

- Advanced SL-Grade Composite
- Full-Composite OverDrive 2 Steerer

INCLUDES:

- Giant SpeedControl SLR composite brakes
- RideSense
- SL Bond-in Top Cap & Steerer Plug w/ Alloy Bolt



SIZE: PART NUMBERS:

S 50090423
 M 50090424
 M/L 50090425
 L 50090426



PROPEL ADVANCED PRO

COLOUR: Gloss Blue/White/Black
 FRAME:

- Advanced-Grade Composite
- Electronic-Ready

 FORK:

- Advanced-Grade Composite
- Full-Composite OverDrive 2 Steerer

INCLUDES:

- Giant SpeedControl SLR composite brakes
- RideSense
- SL Bond-in Top Cap & Steerer Plug w/ Alloy Bolt



SIZE: PART NUMBERS:

XS 50090222
 S 50090223
 M 50090224
 M/L 50090225
 L 50090226
 XL 50090227



TCX SLR S/S

COLOUR: Matte Black/Blue
 FRAME:

- ALUXX SLR-Grade Aluminum w/ SingleSwing Single Speed-Specific Dropout Design

 FORK:

- Advanced-Grade Composite
- Full-Composite OverDrive 2 Steerer
- 15mm Thru-Axle

INCLUDES:

- Giant D-Fuse SL Composite Seatpost
- DT Swiss 15mm Thru-Axle



SIZE: PART NUMBERS:

S 54090313
 M 54090314
 M/L 54090315
 L 54090316



ANTHEM ADVANCED 27.5

COLOUR: Matte/Gloss Composite/Cyan
 FRAME:

- Advanced-Grade Composite Front Triangle
- ALUXX SL-Grade Rear Triangle
- 4"/100mm Maestro Suspension
- 142/135mm convertible dropout design

 REAR SHOCK: RockShox Monarch RL



SIZE: PART NUMBERS:
 S 50090814
 M 50090815
 L 50090816



TRANCE ADVANCED 27.5

COLOUR: Matte/Gloss Composite/Cyan
 FRAME:

- Advanced-Grade Composite Front Triangle
- ALUXX SL-Grade Rear Triangle
- 5.5"/140mm Maestro Suspension
- ISCG-05 tabs
- 142/135mm convertible dropout design

 REAR SHOCK: RockShox Monarch Plus RC3 Debonair



SIZE: PART NUMBERS:
 S 90091114
 M 90091115
 L 90091116
 XL 90091117



GLORY 27.5

COLOUR: Brushed Black/Cyan
 FRAME:

- ALUXX SL-Grade Aluminum
- 8"/203mm Maestro Suspension
- ISCG-05 tabs

 REAR SHOCK: RockShox Vivid R2C



SIZE: PART NUMBERS:
 S 50090514
 M 50090515
 L 50090516





SERVICE GEAR



ON-ROAD/X-ROAD DER. HANGERS

ROAD DER. HANGER TYPE 1

Item	Compatible with	Colour
115-R1N000EO	1999-01 ALL TCR 1999-01 ALL OCR	SILVER

ROAD DER. HANGER TYPE 2

Item	Compatible with	Colour
270208	2002-04 PEGASUS 2002-06 ALL TCR 2002-06 ALL OCR EXCEPT OCR TOURING 2006-07 FCR	SILVER

ROAD DER. HANGER TYPE 3

Item	Compatible with	Colour
470845	2008-09 FCR	BLACK



ROAD DER. HANGER TYPE 4

Item	Compatible with	Colour
270131	2007-11 TCR ADVANCED SL/ ADV/ALUM/COMP 2011-14 TCR COMPOSITE 2012-14 TCR ALUMINUM 2014-15 TCR SLR 2009-11 DEFY ADV/ALUM 2012 DEFY COMPOSITE 2012 RAPID COMPOSITE 2010-13 RAPID 2010-13 DASH 2011-13 TCX ADV SL	BLACK

Item	Colour	Notes
270914	RED	*REMAINING STOCK*
270915	BLUE	*REMAINING STOCK*
270916	GREY	*REMAINING STOCK*

ROAD DER. HANGER TYPE 5

Item	Compatible with	Colour
1159-RE2NAA-01	2007-08 TCR ALLIANCE/ ALUMINUM 2007-08 ALL OCR 2008-09 FCR ALLIANCE 2009-11 DEFY ALUMINUM/ALLIANCE 2009-11 AVAIL ALUMINUM/ALLIANCE 2009-13 TCX	BLACK



ROAD DER. HANGER TYPE 6

Item	Compatible with	Colour
271200	2012+ TCR ADV SL/ADV 2012+ DEFY ADV SL/ADV/ALU 2013-14 DEFY COMPOSITE 2012+ AVAIL ADV SL/ADV/ALU 2013-14 AVAIL COMPOSITE 2013 RAPID COMPOSITE 2014+ PROPEL ADV SL/ADV 2014 ESCAPE RX COMPOSITE 2014-15 TCX ADVANCED/SLR 2014+ REVOLT 2014+ ANYROAD ALU/COMAX 2014+ ENVIE ADV 2014+ BRAVA SLR 2014+ INVITE ALU/ COMAX 2015 FASTROAD COMAX/SLR	BLACK



INBOARD DER. HANGER

Item	Compatible with	Colour
270766	2010-13 SEEK 2011+ ROAM XR 2014+ ROAM	BLACK

97/98 TCR/CFR/PELETON DER. HANGER

Item	Compatible with	Colour
183262	1997-98 TCR 1997-98 CFR 1997-98 PELETON	BLACK

TRINITY DER. HANGER

Item	Compatible with	Colour
270926	2010+ TRINITY ADV SL 2012+ TRINITY COMPOSITE	BLACK



OUTBOARD DER. HANGER*

Item	Compatible with	Colour
470848	2003-06 OCR TOURING 2005-08 TCX 2009 SEEK TRAN SEND TRAN SPORT ESCAPE CYPRESS VIA SUEDE EXPRESSWAY SEDONA 2012-13 ROAM 2013+ ROVE PRODIGY REVIVE 2015 ALIGHT	BLACK

*Rack mount hole included

OFF-ROAD DER. HANGERS



INBOARD DER. HANGER

Item	Compatible with	Colour
270766	2005-06 XTC COMPOSITE 2007-08 ANTHEM ADV 2009+ ANTHEM X ALUMINUM/ADV/29er 2008 TRANCE 2008-13 TRANCE X ALUMINUM/ADV/ 29er 2008-13 REIGN 2008-10 XTC ALLIANCE 2009-10 XTC ADV 2010-13 XTC ALUMINUM 2011+ XTC 29er ALUMINUM/ COMPOSITE 2010 RAINIER 2014+ TALON 27.5 2009-12 BRASS 2009-13 ANTHEM X WOMEN 2012-13 TRANCE X WOMEN CYPHER 2014+ TEMPT 27.5 2014+ ENCHANT 2015 STANCE	BLACK

Item	Colour
270927	BLUE
270928	RED
270929	GREY



OUTBOARD DER. HANGER*

Item	Compatible with	Colour
470848	2006-08 ANTHEM 2005-07 TRANCE 2007-08 TRANCE ADV 2005-07 REIGN 2007-09 REIGN X 2004-10 STP 2003-09 XTC 2012-13 TALON 29er 2013 REVEL 29er 2011+ REVEL YUKON RINCON BOULDER IGUANA ALL NRS VT AC PISTOL WARP 2007-08 ANTHEM WOMEN 2008-09 ARETE	BLACK

*Rack mount hole included



DER. HANGER 135/5 DRIVE SIDE ONLY

Item	Compatible with	Colour
1159-RE215A-R03	2014+ ALL ANTHEM 27.5 2014+ ALL TRANCE 27.5 2015 ALL REIGN 27.5 2014+ ALL XTC 27.5 2014+ ALL LUST 27.5 2014+ ALL INTRIGUE 27.5	BLACK

DER. HANGER 142/12 DRIVE SIDE ONLY

Item	Compatible with	Colour
1159-RE2150-R04	2014+ ALL ANTHEM 27.5 2014+ ALL TRANCE 27.5 2015 ALL REIGN 27.5 2014+ ALL XTC 27.5 2014+ ALL LUST 27.5 2014+ ALL INTRIGUE 27.5	GOLD



DER. HANGER CONVERSION KIT 135/5

Item	Compatible with	Colour
1280GS834609A1	2014+ ALL ANTHEM 27.5 2014+ ALL TRANCE 27.5 2015 ALL REIGN 27.5 2014+ ALL XTC 27.5 2014+ ALL LUST 27.5 2014+ ALL INTRIGUE 27.5	BLACK

DER. HANGER CONVERSION KIT 142/12

Item	Compatible with	Colour
1280GS834609B1	2014+ ALL ANTHEM 27.5 2014+ ALL TRANCE 27.5 2015 ALL REIGN 27.5 2014+ ALL XTC 27.5 2014+ ALL LUST 27.5 2014+ ALL INTRIGUE 27.5	GOLD

10+ FAITH DER. HANGER RC445

Item	Compatible with	Colour
1280GS014A13C5	2010-13 FAITH	BLACK
270942	2010-13 FAITH	BLUE
270943	2010-13 FAITH	GOLD

10+ FAITH DER. HANGER RC442

Item	Compatible with	Colour
1280GS014A12C8	2010-13 FAITH	BLACK
270944	2010-13 FAITH	BLUE
270941	2010-13 FAITH	GOLD

10+ GLORY DER. HANGER

Item	Compatible with	Colour
1280GS024512D8	2010+ GLORY	BLACK
270924	2010+ GLORY	BLUE
270925	2010+ GLORY	RED

10 REIGN X DER. HANGER

Item	Compatible with	Colour
270920	2010-14 REIGN X	BLACK
270921	2010-14 REIGN X	*REMAINING STOCK*
270922	2010-14 REIGN X	*REMAINING STOCK*
270923	2010-14 REIGN X	*REMAINING STOCK*

06-09 GLORY/GLORY DH 12MM THRU DER. HANGER

Item	Compatible with	Colour
270605	2006-09 GLORY	BLACK

05-06 FAITH DER. HANGER

Item	Compatible with	Colour
270133	2005-06 FAITH	BLACK

11 STP SS DER. HANGER

Item	Side	Compatible with	Colour
271004	LEFT	2011-13 STP	SILVER
271005	RIGHT*	2011-13 STP	SILVER

*Drive Side Der. Conversion

CFM/MCM DER. HANGER*

Item	Compatible with	Colour
183260	CFM-MCM	SILVER

*Drive side only

FRONT MOUNT PLATES



FRONT DER. MOUNT PLATE TYPE 1

Item	Compatible with	Colour
310201	1998-09 ALL TCR	BLACK
	1998-09 ALL OCR	
	2009 TCR ALUMINUM	
	2009 TCR ALLIANCE	
	2009-14 DEFY	
	2009 TRINITY ALU	
	2008-09 FCR ALLIANCE	
	2009-13 RAPID	
	2009 AERYN ALU	
	2009-14 AVAIL	
	2009-13 DASH	



FRONT DER. MOUNT PLATE TYPE 2

Item	Compatible with	Colour
470842	2009+ TCR ADV SL	BLACK
	2010 TCR ALLIANCE	
	2011 TCR ALUMINUM	
	2014+ TCR SLR	
	2015 DEFY ADV SL/ADV/ALU	
	2015 AVAIL ADV SL/ADV/ALU	
	2015 FASTROAD ALU/COMAX	



FRONT DER. MOUNT PLATE TYPE 3

Item	Compatible with	Colour
470843	2009+ TCR ADVANCED	BLACK
	2011-14 TCR COMPOSITE	
	2009-14 DEFY ADVANCED	
	2012-14 DEFY COMPOSITE	
	2010 DEFY ALLIANCE	
	2012-14 DEFY ADV SL	
	2010+ TRINITY ADV SL	
	2012+ TRINITY COMPOSITE	
	2011-13 TCX ADV SL	
	2012-13 RAPID COMPOSITE	
	2010-14 AVAIL ADV	
	2012-14 AVAIL COMPOSITE	
	2014+ PROPEL ADV SL/ ADV	
	2014 ESCAPE RX COMPOSITE	
	2014+ ENVIE ADV	
	2015 INVITE COMAX	

FRONT DER. MOUNT PLATE 2014+ TCX

Item	Compatible with	Colour
1643-WG34B0-401	2014+ TCX ADV/SLR	BLACK

FRONT DER. MOUNT PLATE TT/TRINITY/AERYN

Item	Compatible with	Colour
1643-WG3000-01	2007-09 TRINITY ALLIANCE	BLACK
	2008-09 AERYN ALLIANCE	

HEAD SETS

Item	Compatible with	Price
490800	HEADSET – ECONOMY, AHEAD, NO-CUP DESIGN, ZERO STACK TAPERED 1 1/4" - 1 1/8"	\$33.99
490201	HEADSET – FSA ORBIT IS, AHEAD, NO-CUP DESIGN, ZERO STACK 1 1/8"	\$39.99
490202	HEADSET – FSA ORBIT Z, AHEAD, PRESSED-CUP DESIGN, ZERO STACK 1 1/8"	\$59.99
490900	HEADSET – OVERDRIVE ROAD, COMPOSITE CONICAL TOP CAP	\$49.99
490901	HEADSET – OVERDRIVE MTN, ALUMINUM CONICAL TOP CAP	\$49.99
491200	OD2 ROAD BIKE HEADSET 1 1/4" - 1 1/2"	\$49.99
1310-N051AA-203/16000002	OD2 MTB BIKE HEADSET 1 1/4" - 1 1/2"	\$49.99
1310-N057AA-02	2010+ GLORY HEADSET	\$49.99

FRAME PROTECTORS

Item	Description	Price
240000002	CHAIN STAY PROTECTOR FOR XTC 27.5 / XTC ADV 27.5	\$11.99
240000003	CHAIN STAY PROTECTOR FOR ANTHEM 27.5 / ANTHEM ADV 27.5	\$11.99
240000004	CHAIN STAY PROTECTOR TRANCE 27.5 / TRANCE ADV 27.5 / INTRIGUE 27.5	\$11.99
3G9-6005-1	CHAIN STAY PROTECTOR FOR REIGN 27.5 / REIGN ADV 27.5	\$11.99
3G9-6006-1	CHAIN STAY PROTECTOR FOR GLORY 27.5	\$11.99
240000000	DOWN TUBE PROTECTOR FOR XTC ADV 27.5 / OBSESS ADV 27.5	\$5.99
240000001	DOWN TUBE PROTECTOR FOR ANTHEM ADV 27.5 / TRANCE ADV 27.5 / LUST ADV 27.5	\$5.99
3G9-4003-1	DOWN TUBE PROTECTOR FOR REIGN ADV 27.5 / REIGN 27.5	\$5.99
3G9-4004-1	DOWN TUBE PROTECTOR FOR GLORY 27.5	\$5.99

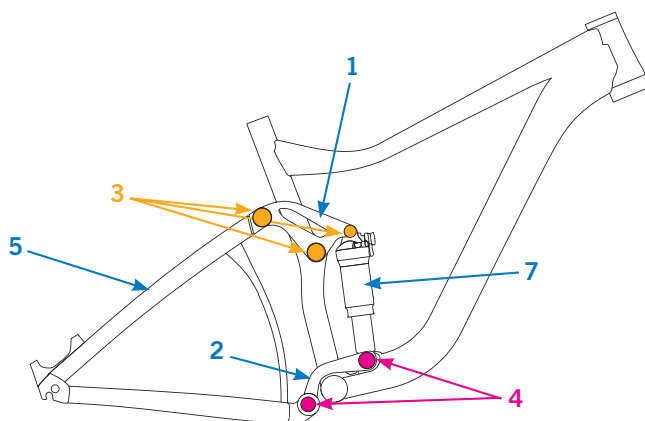
WHEEL ACCESSORIES

Item	Description	Price
731117	ON-ROAD SKEWER SET	\$69.99
350000016	OFF-ROAD SKEWER SET	\$69.99
300000002	MY14+ TCX FORK AXLE, 100/15MM	\$39.99
300000003	12X142MM THRU-AXLE	\$39.99
300000004	5X135MM REAR SKEWER	\$19.99
300000005	FREEHUB BODY SRAM XX1	\$129.99
300000008	FREEHUB BODY SRAM XX1 WITH 5X135MM DRIVE SIDE END CAP	\$139.99
1581-DTTUBE-301	TUBELESS CONVERSION KIT FOR 29er	\$119.99/each
1581-DTTUBE-302	TUBELESS CONVERSION KIT FOR 26	\$119.99/each

SEAT POST CLAMPS

Item	Description	Price
150000029	MY14+ TCX SLR SEATPOST CLAMP	\$11.99
150000030	MY14+ TCX ADV SEATPOST CLAMP	\$9.99
751200	2009-20014 DEFY/AVAIL SEATPOST CLAMP INTEGRATED RACK MOUNT	\$9.99
1722-G2SC01-201	2009+ TCR ADV / DEFY ADV / AVAIL ADV SEATPOST CLAMP	\$30
1722-GANTHE-02	CARBON MTB BIKE SEATPOST CLAMP (ANTHEM ADV / TRANCE ADV / REIGN ADV)	\$20

MAESTRO SUSPENSION KITS



MODEL YEAR 2015

Dia #	Description	Anthem X ADV 29er	Anthem X 29er	Anthem ADV 27.5 0 Team	Anthem ADV 27.5 1	Anthem ADV 27.5 2	Anthem ADV 27.5 SX	Anthem 27.5 1	Anthem 27.5 2
1	Upper Rocker Arm	1280GS800209B1	1280GS804R40A8	1280GS801802B6	1280GS801802A0	1280GS801802C2	1280GS801801D6	1280GS804V02A5	1280GS804V02D1
2	Lower Ulink	1280GS800210B0	1280GS804R41A5	1280GS801801C2	1280GS801801A0	1280GS801801C2	1280GS801802D6	1280GS804V01A8	1280GS804V01D2
3	Upper bolt/bearing kit	1280GS800214A7	1280GS804R45A4	1280GS804V06A4	1280GS801806A0	1280GS804V06A4	1280GS801806A0	1280GS804V06A4	1280GS804V06A4
4	Lower bolt/bearing kit	1280GS800215A7	1280GS804R47A9	1280GS804T07A0	1280GS804T07A0	1280GS804T07A0	1280GS804T07A0	1280GS804T07A0	1280GS804T07A0
5	Rear Swingarm	90R15G90467A4	90R15G90462A8	90R15G90437A5	90R15G90442A5	90R15G90447A1	90R15G90452A1	90R15G90422A2	90R15G90427A9

Dia #	Description	Anthem 27.5 3	Anthem 27.5 SX	Trance ADV 27.5 0	Trance ADV 27.5 1	Trance ADV 27.5 2	Trance 27.5 1	Trance 27.5 2	Trance 27.5 3
1	Upper Rocker Arm	1280GS804V02B3	1280GS804V02C1	1280GS831101A1	1280GS831101B1	1280GS831101C1	1280GS834801A1	1280GS834801B1	1280GS834801C1
2	Lower Ulink	1280GS804V01B6	1280GS804V01C4	1280GS831104A1	1280GS831104B1	1280GS831104C1	1280GS834804A1	1280GS834804B1	1280GS834804C1
3	Upper bolt/bearing kit	1280GS804V06A4	1280GS804V06A4	1280GS831003A1	1280GS831003A1	1280GS831003A1	1280GS834603A1	1280GS834603A1	1280GS834603A1
4	Lower bolt/bearing kit	1280GS804T07A0	1280GS804T07A0	1280GS834606A1	1280GS834606A1	1280GS834606A1	1280GS834606A1	1280GS834606A1	1280GS834606A1
5	Rear Swingarm	90R15G90432A9	90R15G90457A8	90R15G90472A6	90R15G90477A2	90R15G90482A2	90R15G90515A5	90R15G90520A5	90R15G90525A1

Dia #	Description	Trance SX 27.5	Reign ADV 27.5 0 Team	Reign ADV 27.5 1	Reign 27.5 1	Reign 27.5 2	Glory 27.5 0	Glory 27.5 1	Glory 27.5 2
1	Upper Rocker Arm	1280GS834801E1	1280GS034F01D1	1280GS034F01C1	1280GS034F01A1	1280GS034F01B1	1280GS024701A0	1280GS024701B9	1280GS024701C7
2	Lower Ulink	1280GS834604E1	1280GS034F04D1	1280GS034F04C1	1280GS034F04A1	1280GS034F04B1	1280GS024703A5	1280GS024703A5	1280GS024703A5
3	Upper bolt/bearing kit	1280GS834603A1	1280GS034F03A1	1280GS034F03A1	1280GS034F03A1	1280GS034F03A1	1280GS024705A1	1280GS024705A1	1280GS024705A1
4	Lower bolt/bearing kit	1280GS834606A1	1280GS034F06A1	1280GS034F06A1	1280GS034F06A1	1280GS034F06A1	1280GS024706A7	1280GS024706A7	1280GS024706A7
5	Rear Swingarm	90R15G90530A3	90R15G90414A0	90R15G90418A1	90R15G90406A0	90R15G90410A1	90R15G90388A9	90R15G90392A1	90R15G90396A0

Dia #	Description	Lust ADV 27.5 0	Lust ADV 27.5 2	Lust 27.5 1	Lust 27.5 2	Intrigue 27.5 1	Intrigue 27.5 2
1	Upper Rocker Arm	1280GS801902D8	1280GS801902A1	1280GS804W02C7	1280GS804W02B9	1280GS834901A1	1280GS834901B1
2	Lower Ulink	1280GS801901D0	1280GS801901A1	1280GS804W01C1	1280GS804W01B1	1280GS834904A1	1280GS834904B1
3	Upper bolt/bearing kit	1280GS801906A1	1280GS801906A1	1280GS804W06B1	1280GS804W06B1	1280GS834903A1	1280GS834903B1
4	Lower bolt/bearing kit	1280GS801907A1	1280GS801907A1	1280GS804W07B1	1280GS804W07B1	1280GS834906A1	1280GS834906B1
5	Rear Swingarm	90R15G90499A8	90R15G90503A2	90R15G90487A7	90R15G90491A1	90R15G90507A3	90R15G90511A6

MODEL YEAR 2014

Dia #	Description	Anthem X ADV 29 1	Anthem X ADV 29 2	Anthem X29 2	Anthem X29 3	Anthem ADV 27.5 1	Anthem ADV 27.5 2	Anthem 27.5 1	Anthem 27.5 2
1	Upper Rocker Arm	1280GS800209A1	1280GS800205A1	1280GS804R01E2	1280GS804R01F0	1280GS801602C3	1280GS801602B5	1280GS804T02A4	1280GS804T02B2
2	Lower Ulink	1280GS800210A2	1280GS800206A2	1280GS804R02E1	1280GS804R02F8	1280GS801601A1	1280GS801601A1	1280GS804T01A7	1280GS804T01B5
3	Upper bolt/bearing kit	1280GS800214A7	1280GS804P10A8	1280GS804P10A8	1280GS804P10A8	1280GS801606B4	1280GS801606A6	1280GS804T06A3	1280GS804T06A3
4	Lower bolt/bearing kit	1280GS800215A7	1280GS804P12A2	1280GS804P12A2	1280GS804P12A2	1280GS801607A3	1280GS804T07A0	1280GS804T07A0	1280GS804T07A0
5	Rear Swingarm	90R14G91534A6	90R14G90539A8	90R14G90524A5	90R14G90529A1	90R14G90509A9	90R14G90514A9	90R14G90489A4	90R14G90494A4

Dia #	Description	Anthem 27.5 3	Trance X29 0	Trance X29 1	Trance X29 2	Trance ADV 27.5 1	Trance ADV 27.5 2	Trance 27.5 1	Trance 27.5 2
1	Upper Rocker Arm	1280GS804T02C0	1280GS834511B1	1280GS834511A1	1280GS834511C1	1280GS831001C1	1280GS831001B1	1280GS834601A1	1280GS834601B1
2	Lower Ulink	1280GS804T01A7	1280GS834514B1	1280GS834514A1	1280GS834514C1	1280GS831004C1	1280GS831004B1	1280GS834604A1	1280GS834604B1
3	Upper bolt/bearing kit	1280GS804T06A3	1280GS834513A1	1280GS834513A1	1280GS834503A1	1280GS831003B1	1280GS831003A1	1280GS834603A1	1280GS834603A1
4	Lower bolt/bearing kit	1280GS804T07A0	1280GS834516A1	1280GS834516A1	1280GS834506A1	1280GS834606B1	1280GS834606A1	1280GS834606A1	1280GS834606A1
5	Rear Swingarm	90R14G90499A0	90R14G90632A4	90R14G90637A0	90R14G90642A0	90R14G90549A6	90R14G90554A6	90R14G90607A1	90R14G90612A1

Dia #	Description	Trance 27.5 3	Trance 27.5 4	Trance ADV SX 27.5	Trance SX 27.5	Reign X1	Glory 0	Glory 2
1	Upper Rocker Arm	1280GS834601C1	1280GS834601E1	1280GS831001C1	1280GS834601D1	1280GS034B01K5	1280GS024601D1	1280GS024601C1
2	Lower Ulink	1280GS834604C1	1280GS834604E1	1280GS831004C1	1280GS834604D1	1280GS034B02G3	1280GS024608C2	1280GS024608B4
3	Upper bolt/bearing kit	1280GS834603B1	1280GS834603A1	1280GS831003B1	1280GS834603B1	1280GS034B10C2	1280GS024527C2	1280GS024527C2
4	Lower bolt/bearing kit	1280GS834606B1	1280GS834606A1	1280GS834606B1	1280GS834606B1	1280GS034B12C7	1280GS024526C5	1280GS024526C5
5	Rear Swingarm	90R14G90617A8		90R14G90622A8	90R14G90627A4	90R14G90485A5	90R14G90465A2	90R14G90473A4
7	Rear shock		12814GE0112A1					

Dia #	Description	Lust ADV 27.5 2	Lust 27.5 2	Intrigue 27.5 1	Intrigue 27.5 2
1	Upper Rocker Arm	1280GS801702B0	1280GS804U02B8	1280GS834701A1	1280GS834701B1
2	Lower Ulink	1280GS801701B3	1280GS804U01B0	1280GS834704A1	1280GS834704B1
3	Upper bolt/bearing kit	1280GS801706B1	1280GS804T06A3	1280GS834703A1	1280GS834603A1
4	Lower bolt/bearing kit	1280GS801707B7	1280GS804T07A0	1280GS834706A1	1280GS834606A1
5	Rear Swingarm	90R14G90575A4	90R14G90563A3	90R14G90599A8	90R14G90603A2

MODEL YEAR 2013

Dia #	Description	Anthem X 1	Anthem X 2	Anthem X ADV 29 0	Anthem X ADV 29 1	Anthem X ADV 29 2	Anthem X29 1	Anthem X29 2	Anthem X29 4
1	Upper Rocker Arm	1280GS804P30A0	1280GS804P30A0	1280GS824509A3	1280GS800201A3	1280GS800201A3	1280GS804R30A1	1280GS804R30A1	1280GS804R30A1
2	Lower Ulink	1280GS804P02B4	1280GS804P02B4	1280GS800201A3	1280GS800202A0	1280GS800202A0	1280GS804R21B0	1280GS804R21B0	1280GS804R21B0
3	Upper bolt/bearing kit	1280GS804P35A7	1280GS804P10A8	1280GS804P10A8	1280GS804P10A8	1280GS804P10A8	1280GS804P10D2	1280GS804P10A8	1280GS804P10A8
4	Lower bolt/bearing kit	1280GS804P36A4	1280GS804P12A2	1280GS804P12A2	1280GS804P12A2	1280GS804P12A2	1280GS804P12D7	1280GS804P12A2	1280GS804P12A2
5	Rear Swingarm	90R13G90785A4	90R13G90779A7	90R13G90844A7	90R13G90832A6	90R13G90826A9	90R13G90814A8	90R13G90808A0	90R13G90796A8

Dia #	Description	Trance X ADV	Trance X 1	Trance X 2	Trance X 3	Trance X29 0	Trance X29 1	Trance X29 2
1	Upper Rocker Arm	1280GS834313A1	1280GS834313A1	1280GS834313A1	1280GS834313A1	1280GS834501A1	1280GS834501A1	1280GS834501A1
2	Lower Ulink	1280GS834304C1	1280GS834304C1	1280GS834304C1	1280GS834304C1	1280GS834504A1	1280GS834504A1	1280GS834504A1
3	Upper bolt/bearing kit	1280GS834303F1	1280GS834303F1	1280GS834303F1	1280GS834303C1	1280GS834503A1	1280GS834503B1	1280GS834503A1
4	Lower bolt/bearing kit	1280GS834306F1	1280GS834306F1	1280GS834306F1	1280GS834306C1	1280GS834506A1	1280GS834506B1	1280GS834506A1
5	Rear Swingarm	90R13G90A24A6	90R13G90A01A5	90R13G90A06A8	90R13G90A11A8	90R13G90A32A1	90R13G90A37A4	90R13G90A42A4
7	Rear Shock	12812GU0001A5						

Dia #	Description	Reign 0	Reign 1	Reign 2	Reign X1	Reign X2	Glory 0	Glory 1	Glory 2
1	Upper Rocker Arm	1280GS034D01A1	1280GS034D01A1	1280GS034D01A1	1280GS034B01I2	1280GS034B01I2	1280GS024601A5	1280GS024601A5	1280GS024601B3
2	Lower Ulink	1280GS034D04A1	1280GS034D04A1	1280GS034D04A1	1280GS034B02D9	1280GS034B02D9	1280GS024502A7	1280GS024502A7	1280GS024502A7
3	Upper bolt/bearing kit	1280GS034D03A1	1280GS034D03B1	1280GS034D03C1	1280GS034B10E9	1280GS034B10F7	1280GS024606A1	1280GS024527C2	1280GS024527B4
4	Lower bolt/bearing kit	1280GS034D06A1	1280GS034D06B1	1280GS034D06C1	1280GS034B12E3	1280GS034B12F1	1280GS024607A9	1280GS024526C5	1280GS024526B7
5	Rear Swingarm	90R13G90A52A0	90R13G90A57A7	90R13G90A62A7	90R13G90A75A5	90R13G90A79A4	90R13G90A83A7	90R13G90A91A9	90R13G90A87A1

Dia #	Description	Anthem X W	Anthem X29 0 W	Anthem X29 4 W	Trance X 1 W	Trance X 2 W
1	Upper Rocker Arm	1280GS804P20J4	1280GS804S01A1	1280GS804S01B1	1280GS834406A1	1280GS834406B1
2	Lower Ulink	1280GS804P21D6	1280GS804S02A9	1280GS804S02B7	1280GS834408A1	1280GS834408B1
3	Upper bolt/bearing kit	1280GS804Q10A3	1280GS804P10A8	1280GS804R10C5	1280GS834303A2	1280GS834303F1
4	Lower bolt/bearing kit	1280GS804Q12A8	1280GS804P12A2	1280GS804R12C1	1280GS834306A4	1280GS834306F1
5	Rear Swingarm	90R13G90768A3	90R13G90855A0	90R13G90850A4	90R13G90A16A8	90R13G90A20A9

MODEL YEAR 2012

Dia #	Description	Glory 0	Glory 2	Faith 0	Anthem X3	Anthem X1	Anthem X1 W	Anthem X ADV SL 0	Anthem X ADV 1
1	Upper Rocker Arm	1280GS024530A1	1280GS024530B1	1280GS014A01E4	1280GS804P20D9	1280GS804P20B2	1280GS804P20G3	1280GS800101E0	1280GS801501A4
2	Lower Ulink	1280GS024502A7	1280GS024502A7	1280GS014A02C1	1280GS804P02B4	1280GS804P02B4	1280GS804P21B1	1280GS800102C1	1280GS804P02B4
3	Upper bolt/bearing kit	1280GS024527A6	1280GS024527B4	1280GS014A09E2	1280GS804P10A8	1280GS804P10C4	1280GS804Q10A3	1280GS800109B4	1280GS804P10C4
4	Lower bolt/bearing kit	1280GS024526A9	1280GS024526B7	1280GS014A11E0	1280GS804P12A2	1280GS804P12C9	1280GS804Q12A8	1280GS800111B2	1280GS804P12C9
5	Rear Swingarm	90R12GV0151A1	90R12GV0148A6	90R12GV0145A1	90R12GV0031A3	90R12GV0036A1	90R12GV0041A1	90R12GV0048A0	90R12GV0044A1

Dia #	Description	Anthem X29 0	Anthem X29 1	Anthem X29 2	Trance X4	Trance X3	Trance X1	Trance X2 W	Trance X ADV 1
1	Upper Rocker Arm	1280GS804R20A5	1280GS804R20A5	1280GS804R20A5	1280GS834311G1	1280GS834311F1	1280GS834311D1	1280GS834401D1	1280GS834303D1
2	Lower Ulink	1280GS804R21A2	1280GS804R21A2	1280GS804R21A2	1280GS834304C1	1280GS834304C1	1280GS834304C1	1280GS834404D1	1280GS834306D1
3	Upper bolt/bearing kit	1280GS804P10C4	1280GS804P10C4	1280GS804P10C4	1280GS834303B1	1280GS834303D1	1280GS834303D1	1280GS834303A2	1280GS834303A2
4	Lower bolt/bearing kit	1280GS804P12C9	1280GS804P12C9	1280GS804P12C9	1280GS834306B1	1280GS834306D1	1280GS834306D1	1280GS834306A4	1280GS834306A4
5	Rear Swingarm	90R12GV0060A5	90R12GV0056A2	90R12GV0052A3	90R12GV0283A4	90R12GV0288A3	90R12GV0293A0	90R12GV0305A6	90R12GV0298A5
7	Rear Shock	12812GU0001A5							

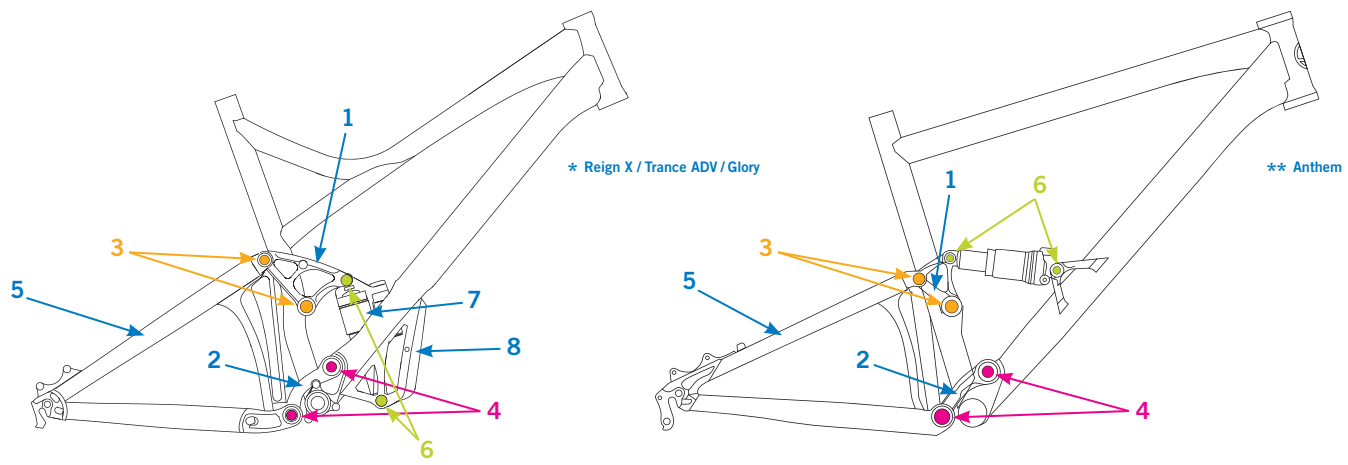
Dia #	Description	Trance X ADV SL 0	Reign 2	Reign 1	Reign 0	Reign SX 1	Reign X0	Reign X1	Reign X2
1	Upper Rocker Arm	1280GS820101E1	1280GS034C01C9	1280GS034C01C9	1280GS034C01B0	1280GS034B01G6	1280GS034B01E1	1280GS034B01H4	1280GS034B01F8
2	Lower Ulink	1280GS820104E1	1280GS034C02A1	1280GS034C02A1	1280GS034C02A1	1280GS034B02D9	1280GS034B02D9	1280GS034B02D9	1280GS034B02D9
3	Upper bolt/bearing kit	1280GS820103D1	1280GS034C10B1	1280GS034C10B1	1280GS034C10B1	1280GS034B10C2	1280GS034B10B4	1280GS034B10B4	1280GS034B10B4
4	Lower bolt/bearing kit	1280GS820106D1	1280GS034C12B4	1280GS034C12B4	1280GS034C12B4	1280GS034B12C7	1280GS034B12B9	1280GS034B12B9	1280GS034B12B9
5	Rear Swingarm	90R12GV0302A4	90R12GV0155A0	90R12GV0160A0	90R12GV0165A7	90R12GV0169A6	90R12GV0182A8	90R12GV0177A8	90R12GV0172A1

MODEL YEAR 2011

Dia #	Description	Anthem X SL0	Anthem X 1	Anthem X 2	Anthem X4	Anthem X 29 1	Anthem X 29 3	Trance X SL 0	Trance X 1
1	Upper Rocker Arm	1280GS800101B6	1280GS804P01B7	1280GS804P01A9	1280GS804P01D3	1280GS804R01A1	1280GS804R01C6	1280GS820101D1	1280GS834301D1
2	Lower Ulink	1280GS800102B3	1280GS804P02B4	1280GS804P02A6	1280GS804P02D0	1280GS804R02A7	1280GS804R02C3	1280GS820104D1	1280GS834304C1
3	Upper bolt/bearing kit	1280GS800109B4	1280GS804P10B6	1280GS804P10A8	1280GS804P10B6	1280GS804R10A9	1280GS800109B4	1280GS820103D1	1280GS834303C1
4	Lower bolt/bearing kit	1280GS800111B2	1280GS804P12B0	1280GS804P12A2	1280GS804P12B0	1280GS804R12A3	1280GS804R12C1	1280GS820106D1	1280GS834306C1
5	Rear Swingarm	90R11GV0039A4	90R11GV0034A8	90R11GV0029A8	90R11GV0344A0	90R11GV0050A1	90R11GV0046A9	90R11GV0074A3	90R11GV0069A7

Dia #	Description	Trance X 2	Trance X 3	Trance X 4	Reign 0	Reign1	Reign 2	Reign X 0	Reign X 1
1	Upper Rocker Arm	1280GS834301B1	1280GS834301A8	1280GS834301C1	1280GS034C01A2	1280GS034C02A1	1280GS034C01A2	1280GS034B01C3	1280GS034B01B5
2	Lower Ulink	1280GS834304B1	1280GS834304A1	1280GS834304C1	1280GS034C02A1	1280GS034C10A1	1280GS034C02A1	1280GS034B02C0	1280GS034B02B2
3	Upper bolt/bearing kit	1280GS834303B1	1280GS834303A2	1280GS834303C1	1280GS034C10A1	1280GS034C12A6	1280GS034C10A1	1280GS034B10C2	1280GS034B10B4
4	Lower bolt/bearing kit	1280GS834306B1	1280GS834306A4	1280GS834306C1	1280GS034C12A6	90R11GV0088A9	1280GS034C12A6	1280GS034B12C7	1280GS034B12B9
5	Rear Swingarm	90R11GV0064A0	90R11GV0059A7	90R11GV0054A0	90R11GV0093A9	90R11GV0050A1	90R11GV0083A2	90R11GV0108A3	90R11GV0103A7
7	Rear Shock	12809GU0003A4							

Dia #	Description	Reign X 2	Reign S X	Faith 0	Faith 1	Glory 0	Glory 1	Anthem X2 W	Cypher 1	Cypher 2
1	Upper Rocker Arm	1280GS034B01D1	1280GS034B01A7	1280GS014A01C4	1280GS014A01D4	1280GS024520A5	1280GS024520B3	1280GS804Q01B2	1280GS834401B1	1280GS834401A3
2	Lower Ulink	1280GS034B02B2	1280GS034B02C0	1280GS014A02C1	1280GS014A02A1	1280GS024502A7	1280GS024502A7	1280GS804Q02B1	1280GS834404B1	1280GS834404A5
3	Upper bolt/bearing kit	1280GS034B10C2	1280GS034B10C2	1280GS014A09C2	1280GS014A09D2	1280GS024524A4	1280GS024524B2	1280GS804Q10A3	1280GS834303F1	1280GS834303A2
4	Lower bolt/bearing kit	1280GS034B12C7	1280GS034B12C7	1280GS014A11C0	1280GS014A11D0	1280GS024526A9	1280GS024526B7	1280GS804Q12A8	1280GS834306F1	1280GS834306A4
5	Rear Swingarm	90R11GV0098A5	90R11GV0112A6	90R11GV0119A1	90R11GV0116A1	90R11GV0125A4	90R11GV0122A2	90R11GV0043A7	90R11GV0080A0	90R11GV0077A5



MODEL YEAR 2010

Dia #	Description	Anthem X SLO	Anthem X 1	Anthem X 2	Anthem X3	Anthem X4	Trance X SL 0	Trance X1	Trance X 2
1	Upper Rocker Arm	1280GS800101A8	1280GS804M01H1	1280GS804M01G1	1280GS804M01H1	1280GS804M01H1	1280GS820101A1	1280GS834001E4	1280GS834001G0
2	Lower Ulink	1280GS800102A5	1280GS804M02H7	1280GS804M02G9	1280GS804M02H7	1280GS804M02H7	1280GS820104A7	1280GS834004E1	1280GS834004G1
3	Upper bolt/bearing kit	1280GS800109A6	1280GS804M10A1	1280GS804M10A1	1280GS804M10A1	1280GS804M10A1	1280GS820103A4	1280GS834003A4	1280GS834003A4
4	Lower bolt/bearing kit	1280GS800111A4	1280GS804M12A6	1280GS804M12A6	1280GS804M12A6	1280GS804M12A6	1280GS820106A6	1280GS834006A6	1280GS834006A6
5	Rear Swingarm	90R10GV0277A9	90R10GV0271A5	90R10GV0266A5	90R10GV0258A3	90R10GV0253A7	90R10GV0282A9	90R10GV0088A1	90R10GV0083A7
5	ADV SL FR Swingarm	90R10GVR011A7					90R10GVR006A7		

Dia #	Description	Trance X 3	Trance X 4	Reign 0	Reign 1	Reign 2	Reign X 0	Reign X 1	Reign X 2
1	Upper Rocker Arm	1280GS834001G0	1280GS834001F1	1280GS034A01C8	1280GS034A01D6	1280GS034A01D6	1280GS034B01A7	1280GS034B01A7	1280GS034B01A7
2	Lower Ulink	1280GS834004G1	1280GS834004F1	1280GS034A04C1	1280GS034A04A3	1280GS034A04A3	1280GS034B02A4	1280GS034B02A4	1280GS034B02A4
3	Upper bolt/bearing kit	1280GS834003A4	1280GS834003A4	1280GS034A03A6	1280GS034A03A6	1280GS034A03A6	1280GS034B10A6	1280GS034B10A6	1280GS034B10A6
4	Lower bolt/bearing kit	1280GS834006A6	1280GS834006A6	1280GS034A06A8	1280GS034A06A8	1280GS034A06A8	1280GS034B12A0	1280GS034B12A0	1280GS034B12A0
5	Rear Swingarm	90R10GV0078A7	90R10GV0073A2	90R10GV0103A1	90R10GV0098A8	90R10GV0093A1	90R10GV0122A5	90R10GV0113A6	90R10GV0108A6
7	Rear Shock		12809GU0003A4						

Dia #	Description	Reign SX	Faith 0	Faith 1	Glory 0	Glory 1	Anthem X1 W	Cypher 1	Cypher 2
1	Upper Rocker Arm	1280GS034B01A7	1280GS014A01A4	1280GS014A01B2	1280GS024501A1	1280GS024501B8	1280GS804M01G1	1280GS834001J1	1280GS834004H1
2	Lower Ulink	1280GS034B02A4	1280GS014A02A1	1280GS014A02B1	1280GS024502A7	1280GS024502A7	1280GS804M02G9	1280GS834004J1	1280GS834004J1
3	Upper bolt/bearing kit	1280GS034B10A6	1280GS014A09A2	1280GS014A09A2	1280GS024509A8	1280GS024509A8	1280GS804M10A1	1280GS834003A4	1280GS834003A4
4	Lower bolt/bearing kit	1280GS034B12A0	1280GS014A11A0	1280GS014A11A0	1280GS024511A6	1280GS024511A6	1280GS804M12A6	1280GS834006A6	1280GS834006A6
5	Rear Swingarm	90R10GV0118A2	90R10GV0130A7	90R10GV0126A4	90R10GV0138A5	90R10GV0134A6	90R10GV0263A3	90R10GV0070A7	90R10GV0067A3

MODEL YEAR 2009

Dia #	Description	Anthem ADV **	Anthem X 0	Anthem X 1	Anthem X 2	Anthem X 3	Trance X 0	Trance X 1	Trance X 2	Trance X 3
1	Upper Rocker Arm	12808GU0015A8	1280GS804M01A2	1280GS804M01C9	1280GS804M01B0	1280GS804M01B0	1280GS834001A1	1280GS834001A1	1280GS834001A1	1280GS834001A1
2	Lower Ulink	12808GU0018B8	1280GS804M02A1	1280GS804M02C6	1280GS804M02B8	1280GS804M02B8	1280GS834004A1	1280GS834004A1	1280GS834004A1	1280GS834004A1
3	Upper bolt/bearing kit	12807GU0017A5	1280GS804M10A1	1280GS804M10A1	1280GS804M10A1	1280GS804M10A1	1280GS834003A4	1280GS834003A4	1280GS834003A4	1280GS834003A4
4	Lower bolt/bearing kit	12807GU0020A0	1280GS804M12A6	1280GS804M12A6	1280GS804M12A6	1280GS804M12A6	1280GS834006A6	1280GS834006A6	1280GS834006A6	1280GS834006A6
5	Rear Swingarm	90R09GV0102A1	90R09GV0097A1	90R09GV0092A3	90R09GV0084A1	90R09GV0079A1	90R09GV0103A5	90R09GV0125A6	90R09GV0120A1	90R09GV0115A1
6	Shock Bolt Kit	12807GU0021A8								

Dia #	Description	Trance X 4	Reign 0	Reign 1	Reign 2	Reign X 0 *	Reign X 1 *	Reign X 2 *	Glory DH *	Glory 0 *
1	Upper Rocker Arm	1280GS834001A1	1280GS034A01A1	1280GS034A01B1	1280GS034A01A1	1280GS034601A9	1280GS034601A9	1280GS034601A9	1280GS024402A1	1280GS014901C4
2	Lower Ulink	1280GS834004A1	1280GS034A04A3	1280GS034A04B1	1280GS034A04A3	1280GS034602A6	1280GS034602A6	1280GS034602A6	1280GS024401A4	1280GS014902A5
3	Upper bolt/bearing kit	1280GS834003A4	1280GS034A03A6	1280GS034A03A6	1280GS034A03A6	1280GS034610A8	1280GS034610A8	1280GS034610A8	1280GS014910A7	1280GS014910A7
4	Lower bolt/bearing kit	1280GS834006A6	1280GS034A06A8	1280GS034A06A8	1280GS034A06A8	1280GS034612A2	1280GS034612A2	1280GS034612A2	1280GS014912A1	1280GS014912A1
5	Rear Swingarm	90R09GV0110A3	90R09GV0145A9	90R09GV0140A2	90R09GV0135A2	90R09GV0158A7	90R09GV0154A8	90R09GV0150A9	90R09GV0170A1	90R09GV0166A9
6	Shock Bolt Kit					1280GS034603A3	1280GS034603A3	1280GS034603A3	12806GU0060A9	1280GS014903A2
7	Rear Shock	12809GU0003A4								
8	Shock cover					12807GU0027A1	12807GU0027A1	12807GU0027A1	12807GU0025A7	No Stock

Dia #	Description	Glory 1 *	Anthem X1 W	Cypher
1	Upper Rocker Arm	1280GS014901D2	1280GS804M01C9	1280GS834001D6
2	Lower Ulink	1280GS014902A5	1280GS804M02C6	1280GS834004D8
3	Upper bolt/bearing kit	1280GS014910A7	1280GS804M10A1	1280GS834003A4
4	Lower bolt/bearing kit	1280GS014912A1	1280GS804M12A6	1280GS834006A6
5	Rear Swingarm	90R09GV0162A1	90R09GV0089A8	90R09GV0107A8
6	Shock Bolt Kit	1280GS014903A2		
8	Shock cover	No Stock		



DESIGN & LAYOUT BY SARAH SANGSTER

STAFF

GIANT BICYCLE CANADA, INC.

Unit 100-2255 Dollarton Highway, North Vancouver, BC V7H 3B1
Toll Free: 800.665.9311 Toll Free Fax: 800.665.1713 Web: giant-bicycles.com

HEAD OFFICE SALES SUPPORT STAFF



PAUL NASH
DEPUTY GENERAL MANAGER
paulnash@giantbicycle.com



SEAN KERR
PRODUCT MANAGER
seankerr@giantbicycle.com



ANDREW HEWAT
GEAR BUSINESS SUPERVISOR
andrewhewat@giantbicycle.com



CHERY LIN
POS CONTROLLER - BIKE & GEAR
cherylin@giantbicycle.com



HUGO LANTHIER
AFTER SERVICE/QUALITY ASSURANCE
hugolanthier@giantbicycle.com



NICA NOVLESKY
EVENT COORDINATOR
PUBLIC RELATIONS
LIV REPRESENTATIVE
nicanovlesky@giantbicycle.com



STACEY COOK
INSIDE SALES -
BRITISH COLUMBIA & ONTARIO
staceycook@giantbicycle.com



LILLIAN TSENG
FINANCE & ADMIN SUPERVISOR
lilliantseng@giantbicycle.com



JAMES HEALEY
INSIDE SALES -
PRAIRIES, QUEBEC & MARITIMES
jameshealey@giantbicycle.com



STELLA CHAN
ACCOUNTANT
stellachan@giantbicycle.com



STEVE DEVANTIER
GRP SPECIALIST
stevedevantier@giantbicycle.com



RICH MACHHEIN
WAREHOUSE SUPERVISOR
richmachhein@giantbicycle.com



SARAH SANGSTER
MEDIA DESIGNER
sarahsangster@giantbicycle.com

NATIONAL SALES FORCE



MIKE MILLAR
NATIONAL SALES MANAGER /
TERRITORY MANAGER - ONTARIO
mikemillar@giantbicycle.com



GUY PELLERIN
TERRITORY MANAGER - MARITIMES
guypellerin@giantbicycle.com



COLBY LARGE
TERRITORY MANAGER - BC
colbylarge@giantbicycle.com



IAN HIGHWAY
TERRITORY MANAGER - QUEBEC
ianhighway@giantbicycle.com



DEAN KENDELL
TERRITORY MANAGER - AB & PRAIRIES
deankendell@giantbicycle.com



LUKE KITZANUK
STORE MANAGER - VAUDREUIL
lukekitzanuk@giantbicycle.com



PHIL LEMAISTRE
HEAD MECHANIC - VAUDREUIL
phillemaistre@giantbicycle.com



Liv

liv-cycling.com

GIANT

giant-bicycles.com